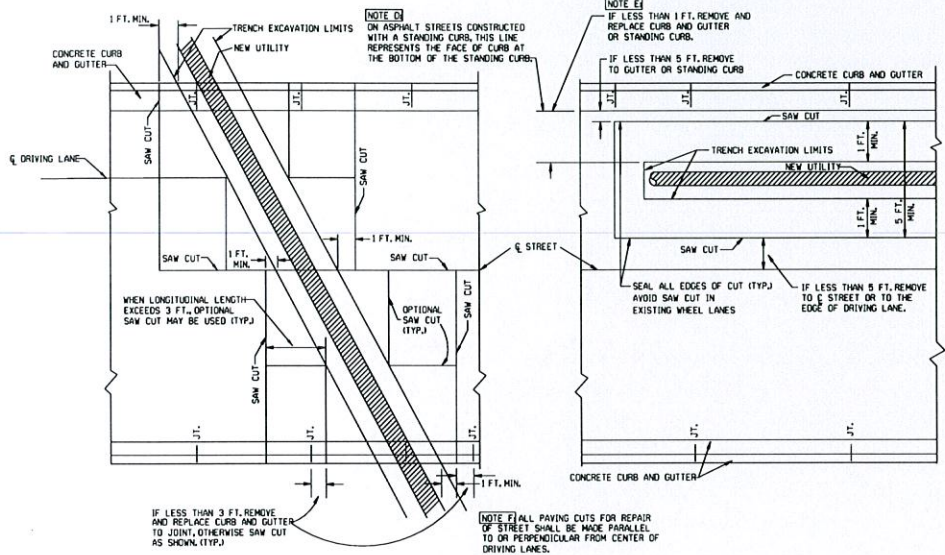


PART NAME: /E1/PARTS/STD./ODN./STD./736-ASPH/ICUT/REPAIR.DGN RMC 04/04/2019

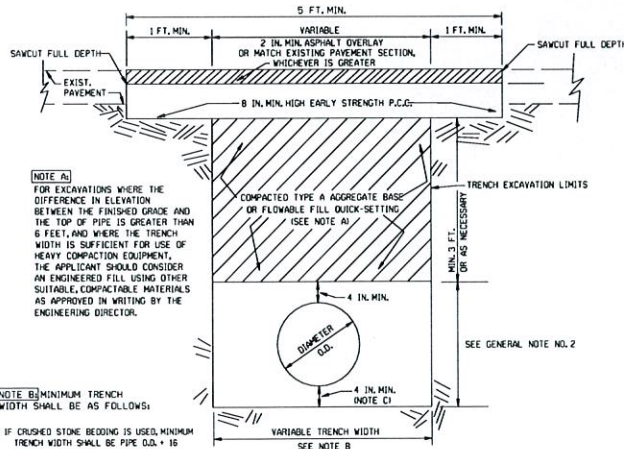


**DIAGONAL INSTALLATIONS**

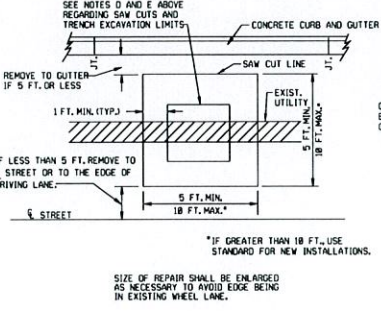
**LONGITUDINAL INSTALLATIONS**

- GENERAL NOTES**
1. A STREET CUT PERMIT SHALL BE OBTAINED FOR ANY STREET CUTS BEFORE WORK PROCEEDS.
  2. MATERIAL WITHIN 4 IN. OF PIPE SHALL BE EITHER COMPACTED 3/4" TO NO. 4 CRUSHED STONE, FLOWABLE FILL, CONCRETE, OR MAY BE ANY SUITABLE MATERIAL APPROVED IN WRITING BY THE ENGINEERING DIRECTOR. IF FLOWABLE FILL IS USED AS BACKFILL MATERIAL, THEN EMBEDEDMENT MATERIAL MUST BE FLOWABLE FILL.
  3. ALL CONSTRUCTION SHALL BE IN ACCORDANCE WITH CURRENT ODOT SPECIFICATIONS, THE CITY OF TULSA STANDARDS AND SPECIAL PROVISIONS AS NOTED.
  4. WHERE MATERIALS ARE TRANSPORTED IN THE PROSECUTION OF THE WORK, VEHICLES SHALL NOT BE LOADED BEYOND THE LOADING CAPACITY RECOMMENDED BY THE MANUFACTURER OF THE VEHICLE OR PRESCRIBED BY ANY FEDERAL, STATE, OR LOCAL LAW OR REGULATION, WHERE IT IS NECESSARY TO CROSS CURBS OR SIDEWALKS, PROTECTION AGAINST DAMAGE SHALL BE PROVIDED BY THE CONTRACTOR AND ANY DAMAGE TO ROADS, CURBS, OR SIDEWALKS SHALL BE REPAIRED BY THE C.O.T. PAVEMENT CUT CONTRACTOR AT THE EXPENSE OF THE PERMIT HOLDER.
  5. TRAFFIC CONTROL: ALL WORK SHALL BE DONE IN COOPERATION WITH THE CITY TO ESTABLISH, INSTALL, MAINTAIN, AND OPERATE COMPLETE, ADEQUATE, AND SAFE TRAFFIC CONTROL DURING THE ENTIRE CONSTRUCTION PERIOD. BARRICADES, SIGNS, LIGHTS SHALL BE APPROVED BY THE TRAFFIC ENGINEER OF THE C.O.T. ALL TRAFFIC CONTROL ITEMS SHALL BE PROMPTLY REMOVED UPON COMPLETION OF THE WORK.
  6. ALL LONGITUDINAL TRENCHES EXCEEDING 300 LINEAR FEET SHALL BE BACKFILLED AND MADE DRIVEABLE PRIOR TO EXCAVATING ANY ADDITIONAL TRENCH.
  7. ALL SIDEWALK AND/OR CURB CONSTRUCTION OR RECONSTRUCTION WITHIN THE STREET RADIUS, SHALL INCLUDE THE INSTALLATION OF A STANDARD WHEELCHAIR RAMP AS A PART OF THE CONSTRUCTION.
  8. CONTACT THE CITY OF TULSA TRAFFIC ENGINEERING DIVISION AT 918-596-1166 BEFORE REMOVING OR REPLACING ANY TRAFFIC CONTROL DEVICES, INCLUDING, BUT NOT LIMITED TO, STRIPING AND REFLECTORS, SCHOOL CROSSING STRIPING AND DEVICES, ETC.
  9. ALL EXISTING PAVEMENT CONTROL JOINTS SHALL BE RE-ESTABLISHED.
  10. COMPACTION SHALL BE PER SECTION 303.84(c) AND 4.0 OF THE CURRENT EDITION OF THE STANDARD SPECIFICATIONS FOR HIGHWAY CONSTRUCTION AND APPLICABLE SUPPLEMENTS, AS PUBLISHED BY THE OKLAHOMA DEPARTMENT OF TRANSPORTATION.
  11. JOINTS SHALL NOT BE PLACED IN VEHICLE WHEEL PATH.

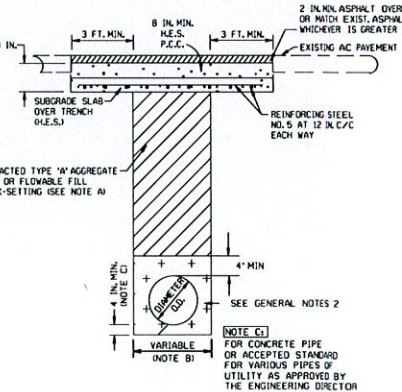
- CONSTRUCTION NOTES**
- 1. BACKFILL**
- 1A. BACKFILL UNDER PAVEMENT SHALL BE BY ONE OF THE FOLLOWING METHODS:
    1. AGGREGATE BASE MATERIAL SHALL BE PLACED IN 8 IN. MAXIMUM LIFTS AND SHALL BE COMPACTED TO 100% STANDARD DENSITY (M80, METHOD D) AS MEASURED BY THE NUCLEAR DENSITY METHOD. COMPACTION SHALL BE DONE BY A VIBRATORY HAND TAMPER, PER GENERAL NOTE 10.
    2. QUICK-SET FLOWABLE FILL
  - 1B. BACKFILL OUTSIDE OF PAVEMENT:
    1. AGGREGATE BASE MATERIAL SHALL BE 90% STD. DENS. PER SECTION 303.84 (C) AND (D) OF THE CURRENT EDITION OF THE STANDARD SPECIFICATIONS FOR HIGHWAY CONSTRUCTION AND APPLICABLE SUPPLEMENTS, AS PUBLISHED BY THE OKLAHOMA DEPARTMENT OF TRANSPORTATION.
    2. QUICK-SET FLOWABLE FILL
- 2. FLOWABLE FILL**
- | SQUARE 0000      | TYPE A |
|------------------|--------|
| 1-1/2 IN. (37.5) | 40-100 |
| 3/4 IN. (19.0)   | 38-75  |
| 3/8 IN. (9.5)    | 29-68  |
| 1/4 IN. (6.25)   | 20-43  |
| NO. 10 (2.0)     | 8-26   |
| NO. 48 (8.475)   | 4-12   |
| NO. 200 (0.875)  |        |
10. THE SAND SHALL HAVE 100% PASSING THE 3/4 INCH SIEVE AND 8% - 20% PASSING THE NO. 200 SIEVE.
11. **FLOWABLE FILL QUICK SETTING MASTER BUILDERS OR APPROVED EQUAL**
- | TYPE 1 CEMENT | 100 LBS.       |
|---------------|----------------|
| FLY ASH       | 0 LBS.         |
| SAND          | 2925 LBS.      |
| WATER         | 565 LBS.       |
| POZZUECA 20   | 80 SZ.         |
| FLOW          | 4-1/2 IN. MIN. |
- 28 DAY COMPRESSIVE STRENGTH SHALL BE 25 PSI TO 68 PSI.
2. CONCRETE: BEFORE ANY RESTORATION PAVEMENT THAT HAS BEEN UNDERMINED SHALL BE REMOVED TO STABLE MATERIAL BY SAWCUT AS PER DETAIL. ALL PAVEMENT REMOVAL SHALL BE A MINIMUM OF 5 FEET BY 5 FEET. CONCRETE FOR THE REPLACEMENT OF PAVEMENT, CURBS AND SIDEWALKS SHALL BE HIGH EARLY STRENGTH CLASS A AS PER ODOT SECTION 780.01.
  3. ASPHALT: ALL ASPHALT SHALL BE ODOT TYPE "54". THE ASPHALT SHALL BE COMPACTED TO 92% MAXIMUM DENSITY AS DETERMINED BY AASHTO T-209 METHOD. SPREADING AND FINISHING OF ASPHALT TO MEET ODOT SECTION 410.4 (g) EDGES OF CUT SHALL BE SAW CUT TO FULL DEPTH. PRIOR TO PLACEMENT OF ASPHALT IN CUT A TACK COAT SHALL BE UNIFORMLY APPLIED. TACK COAT SHALL BE IN ACCORDANCE WITH SECTION 407 OF THE ODOT SPECIFICATIONS. ALL SURFACE EDGE JOINTS OF THE CUT/OVERLAY SHALL BE SEALED WITH AN ASPHALT RUBBER MEETING THE REQUIREMENTS OF SECTION 780.01 OF THE ODOT SPECIFICATIONS. IF CURB AND GUTTER ARE REMOVED THEY SHALL BE REPLACED TO THE STANDARDS AND SPECIFICATIONS OF THE TYPICAL EXISTING CURB AND GUTTER MATERIALS FOR ASPHALTIC CONCRETE SHALL MEET ODOT SECTION 788.
  4. VEGETATION: ALL AREAS OUTSIDE THE PAVED PORTION OF THE RIGHT OF WAY WHERE VEGETATION HAS BEEN REMOVED SHALL BE RESTORED BY SOODING, AND MAINTAINED UNTIL FINAL ACCEPTANCE.
  5. JOINTS: WHEN ONE OR MORE LONGITUDINAL CONSTRUCTION JOINT IS REMOVED FOR A STREET CUT, THE JOINT SHALL BE RE-ESTABLISHED AS PER THE PAVEMENT STANDARDS FOR PORTLAND CEMENT CONCRETE.
  6. DOVEL BARS: DOVEL BARS SHALL BE INSTALLED IN ACCORDANCE WITH THE ENGINEERING SERVICES DEPARTMENT CRITERIA FOR LOAD TRANSFER DEVICES, AS SHOWN IN THE DETAILS ON THIS SHEET.
  7. IF FLOWABLE FILL IS UTILIZED, IT SHALL BE PLACED IN LIFTS TO PREVENT FLOTATION OF THE PIPE.



**TYPICAL SECTION**



**TYPICAL UTILITY REPAIR**



**TYPICAL SECTION**

FOR STATE HIGHWAYS THAT ARE ARTERIAL STREETS

REVISION	BY	DATE

*[Signature]*  
CITY ENGINEER

*[Signature]*  
DESIGN MANAGER

CITY OF TULSA, OKLAHOMA  
ENGINEERING SERVICES DEPARTMENT

STANDARD ASPHALT PAVEMENT  
CUT AND REPAIR

DATE: APRIL 2019

STD. 736