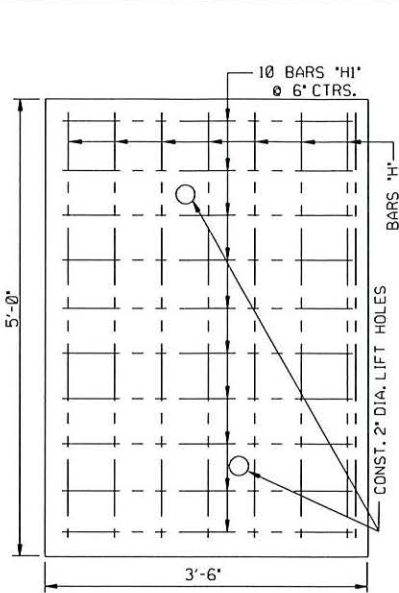
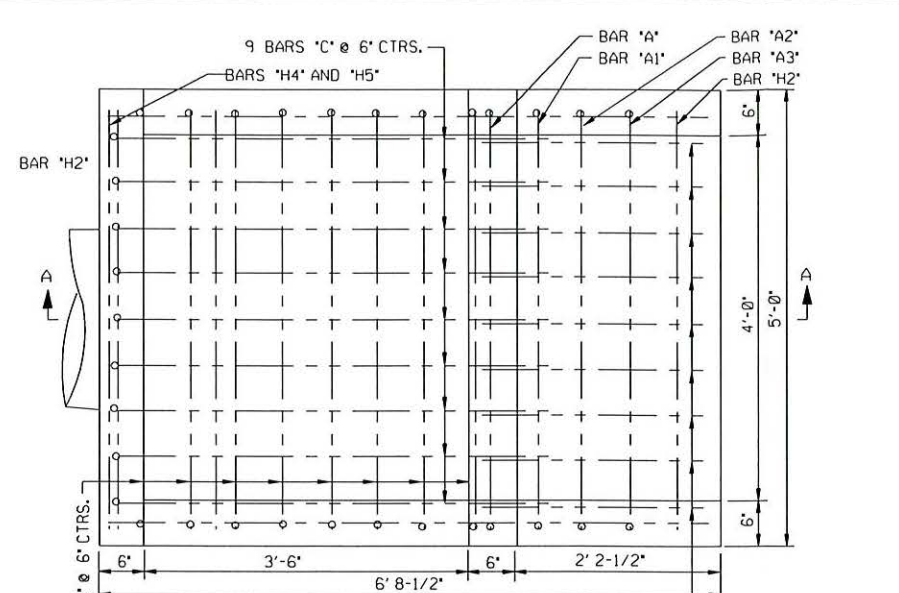


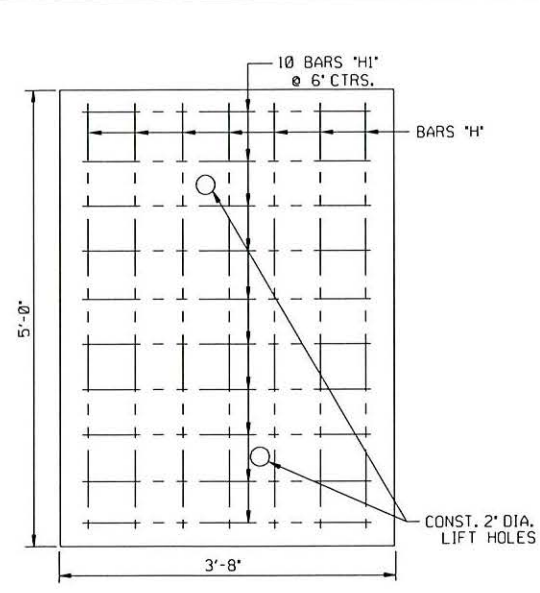
PLAN TYPE 1 (WITHOUT COVER)



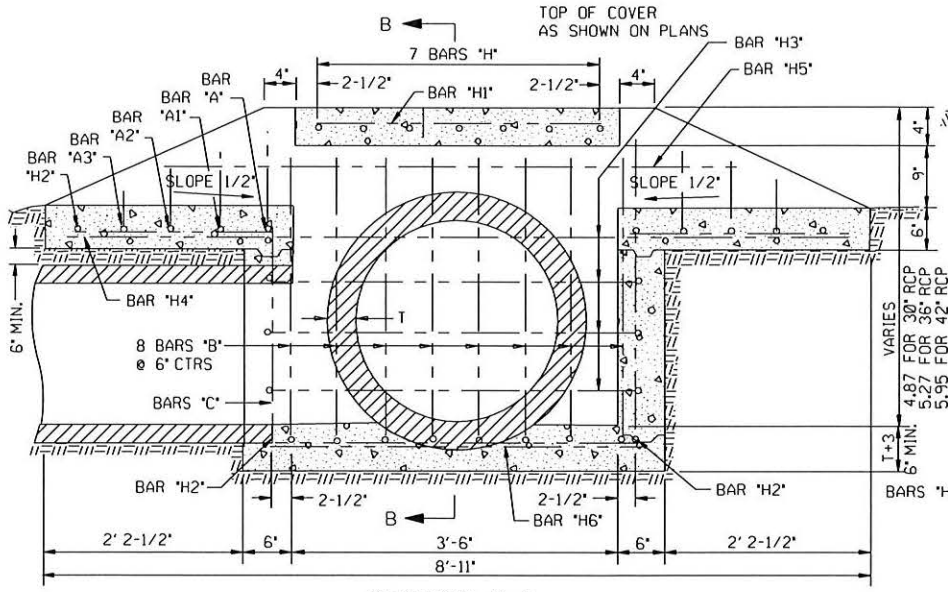
PLAN TYPE 1 (PRECAST COVER)



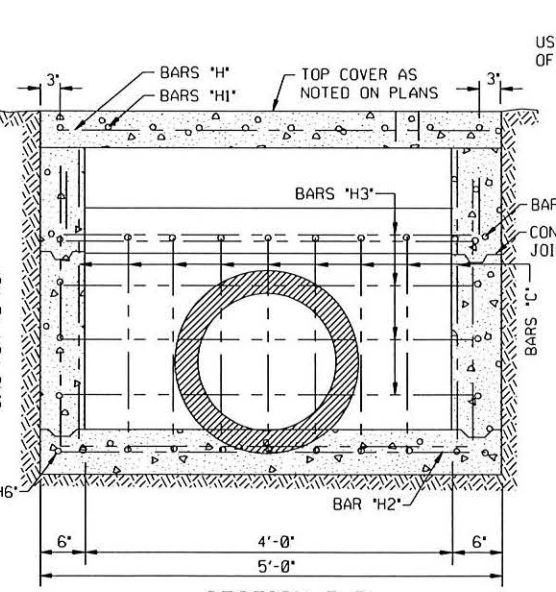
PLAN TYPE 2 (WITHOUT COVER)



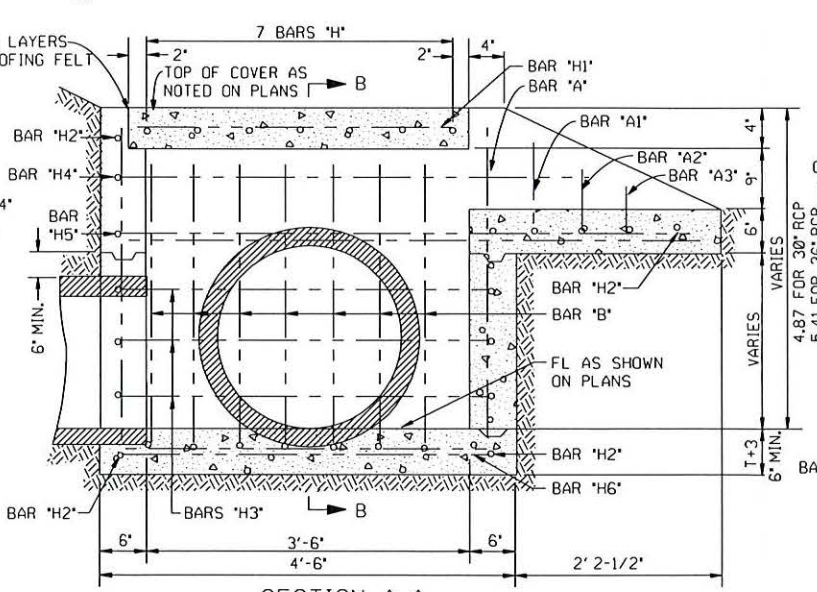
PLAN TYPE 2 (PRECAST COVER)



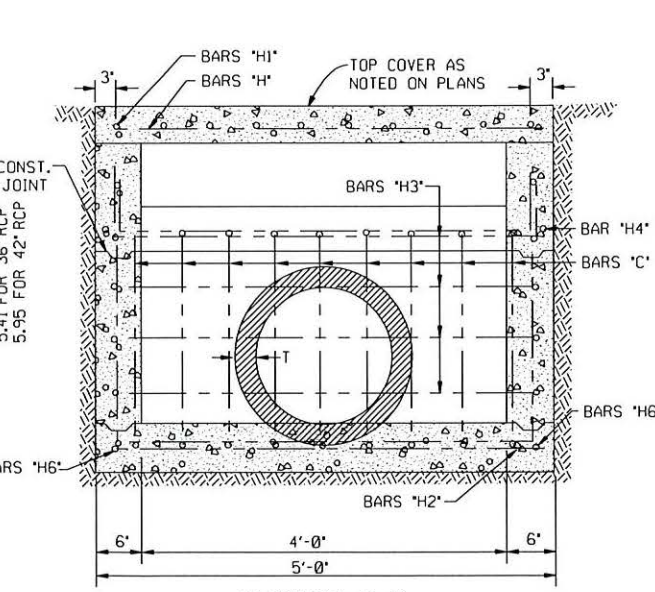
SECTION A-A



SECTION B-B



SECTION A-A



SECTION B-B

NOTE: REINFORCING STEEL TO BE CUT AND/OR BENT TO CLEAR PIPES IN THE FIELD.

BAR LIST

		30" RCP		36" RCP		42" RCP	
MARK	SIZE	QUAN.	SHAPE	QUAN.	SHAPE	QUAN.	SHAPE
A	3/8"	2	BENT 6'-7"	2	BENT 6'-7"	2	BENT 6'-7"
A1	3/8"	2	BENT 6'-2"	2	BENT 6'-2"	2	BENT 6'-2"
A2	3/8"	2	BENT 5'-9"	2	BENT 5'-9"	2	BENT 5'-9"
A3	3/8"	2	BENT 5'-4"	2	BENT 5'-4"	2	BENT 5'-4"
B	3/8"	8	BENT 13'-5"	8	BENT 14'-7"	8	BENT 15'-7"
C	3/8"	9	BENT 12'-11"	9	BENT 14'-1"	9	BENT 15'-1"
CI	3/8"	18	STR. 2'-4"	18	STR. 2'-4"	18	STR. 2'-4"
H	1/2"	7	STR. 4'-8"	7	STR. 4'-8"	7	STR. 4'-8"
H1	1/2"	10	STR. 3'-1"	10	STR. 3'-1"	10	STR. 3'-1"
H2	3/8"	4	STR. 4'-7"	4	STR. 4'-7"	4	STR. 4'-7"
H3	3/8"	7	BENT 17'-11"	7	BENT 17'-11"	7	BENT 17'-11"
H4	3/8"	2	STR. 8'-6"	2	STR. 8'-6"	2	STR. 8'-6"
H5	3/8"	2	STR. 6'-0"	2	STR. 6'-0"	2	STR. 6'-0"
H6	3/8"	2	STR. 4'-1"	2	STR. 4'-1"	2	STR. 4'-1"

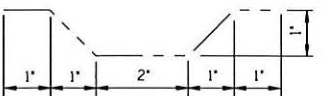
QUANTITIES

ITEM	30" RCP	36" RCP	42" RCP
CLASS 'A' CONCRETE	2.49	2.65	2.80
REINFORCING STEEL	228	241	260
QUANTITIES PER FT. OF VERTICAL HEIGHT CLASS 'A' CONC. @.31 REINFORCING STEEL 26.26 LBS. PER C.Y.			

GENERAL NOTES

1. ALL CONSTRUCTION SHALL BE IN ACCORDANCE WITH CITY OF TULSA STANDARD SPECIFICATIONS.
2. ALL EXPOSED CONC. SURFACES TO BE CARBORUNDUM FINISHED.
3. ALL EXPOSED CONC. EDGES SHALL HAVE A 1/2" CHAMFER.
4. ALL REINFORCING STEEL TO BE DEFORMED BARS.
5. FOR EACH FT. ADDITIONAL HEIGHT, ADD 2' TO BARS B AND C, ADD BARS H3 AT 6' C/C.
6. REINFORCED CONC. PIPES SHALL CONFORM TO THE REQUIREMENTS OF ASTM C-76-596 (AASHTO M-170-60) CLASS III UNLESS OTHERWISE DESIGNATED.
7. CLASS A CONC. QUANTITIES ARE COMPUTED USING WALL THICKNESS TAKEN FROM WALL B COLUMN OF ASTM AND AASHTO TABLES.
8. TOP OF INLET DIKE TO BE INSTALLED FLUSH WITH ADJACENT GRADE.

NOTE: REINFORCING STEEL TO BE CUT AND/OR BENT TO CLEAR PIPES IN THE FIELD.



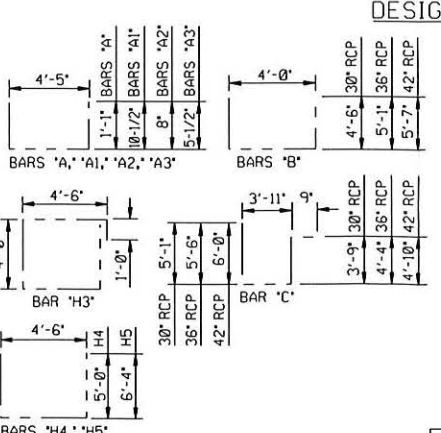
CONSTRUCTION JOINT DETAIL

BAR LIST

		30" RCP		36" RCP		42" RCP	
MARK	SIZE	QUAN.	SHAPE	QUAN.	SHAPE	QUAN.	SHAPE
A	3/8"	1	BENT 6'-7"	1	BENT 6'-7"	1	BENT 6'-7"
A1	3/8"	1	BENT 6'-2"	1	BENT 6'-2"	1	BENT 6'-2"
A2	3/8"	1	BENT 5'-9"	1	BENT 5'-9"	1	BENT 5'-9"
A3	3/8"	1	BENT 5'-4"	1	BENT 5'-4"	1	BENT 5'-4"
B	3/8"	8	BENT 13'-0"	8	BENT 14'-2"	8	BENT 15'-2"
C	3/8"	9	BENT 13'-6"	9	BENT 14'-6"	9	BENT 15'-6"
CI	3/8"	9	STR. 2'-4"	9	STR. 2'-4"	9	STR. 2'-4"
H	1/2"	7	STR. 4'-8"	7	STR. 4'-8"	7	STR. 4'-8"
H1	1/2"	10	STR. 3'-3"	10	STR. 3'-3"	10	STR. 3'-3"
H2	3/8"	4	STR. 4'-7"	4	STR. 4'-7"	4	STR. 4'-7"
H3	3/8"	7	BENT 17'-11"	7	BENT 17'-11"	7	BENT 17'-11"
H4	3/8"	1	BENT 14'-7"	1	BENT 14'-7"	1	BENT 14'-7"
H5	3/8"	1	BENT 17'-2"	1	BENT 17'-2"	1	BENT 17'-2"
H6	3/8"	2	STR. 4'-1"	2	STR. 4'-1"	2	STR. 4'-1"

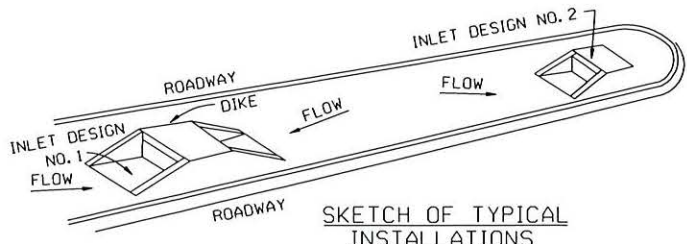
QUANTITIES

ITEM	30" RCP	36" RCP	42" RCP
CLASS 'A' CONCRETE	2.32	2.49	2.66
REINFORCING STEEL	262	278	294
QUANTITIES PER FT. OF VERTICAL HEIGHT CLASS 'A' CONC. @.31 REINFORCING STEEL 26.26 LBS. PER C.Y.			



BAR BENDING DIAGRAMS

DESIGN NO. 2



SKETCH OF TYPICAL INSTALLATIONS

CITY ENGINEER  
DESIGN MANAGER

CITY OF TULSA, OKLAHOMA  
ENGINEERING SERVICES DEPARTMENT  
STANDARD DROP INLET  
30", 36", AND 42"  
WITH NO ACCESS MANHOLE  
DATE: JANUARY 2020 STD. 771

REVISION	BY	DATE