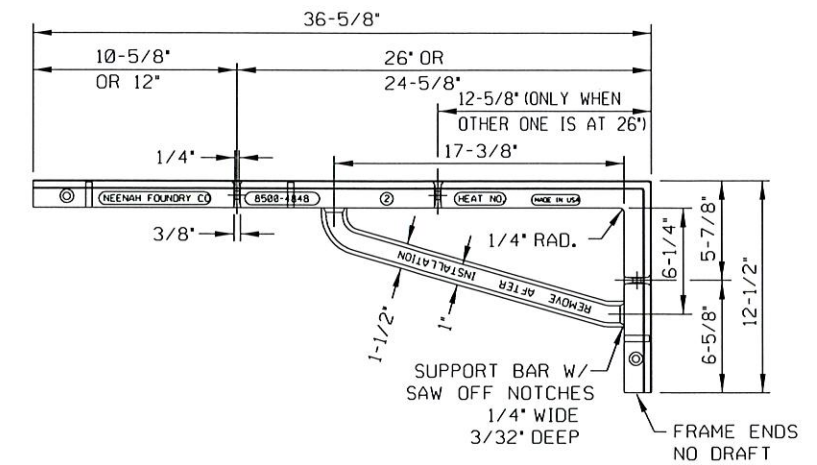
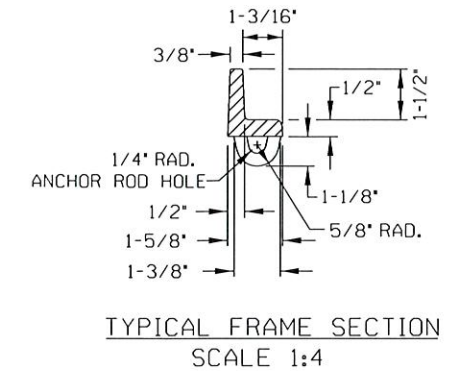
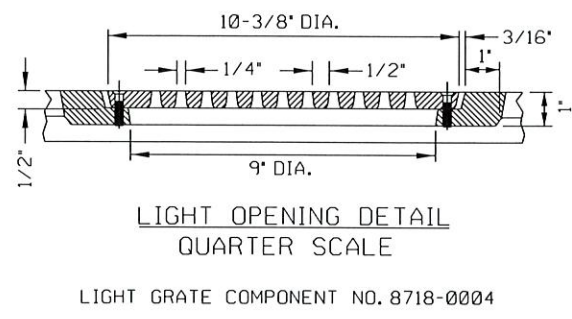
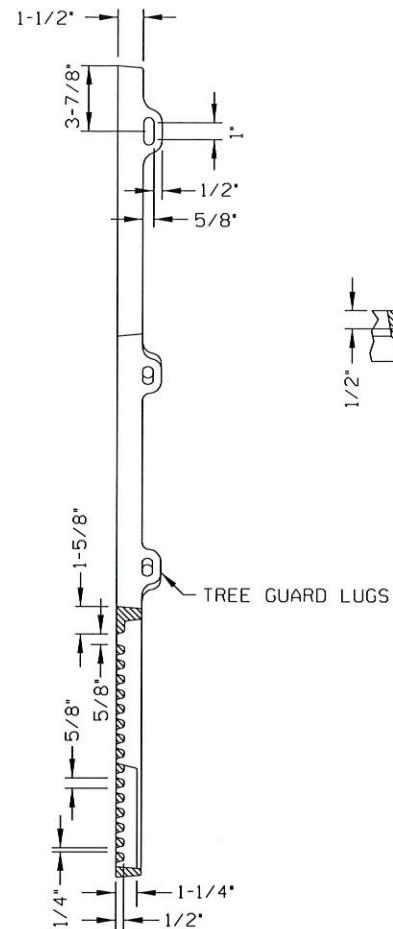
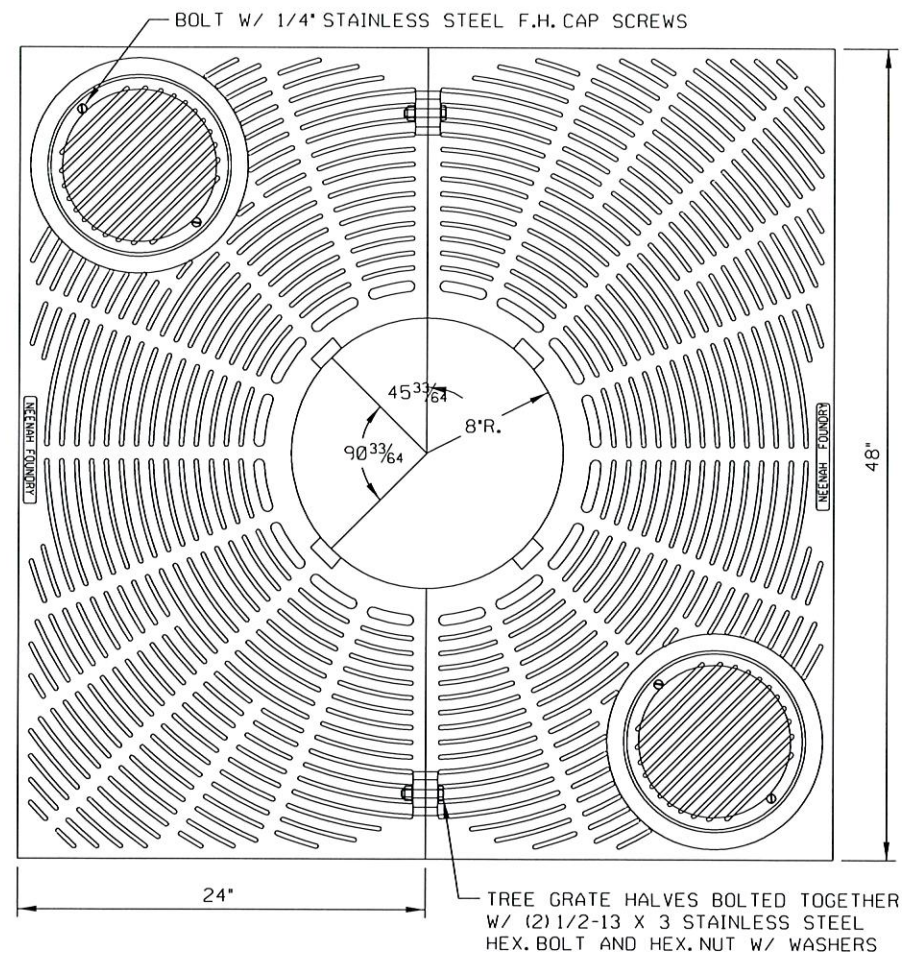
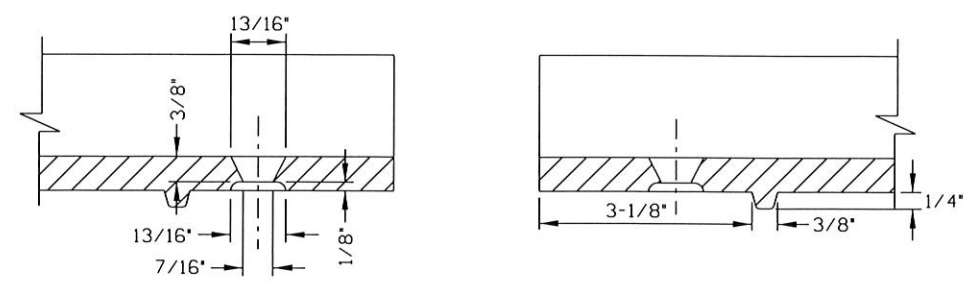
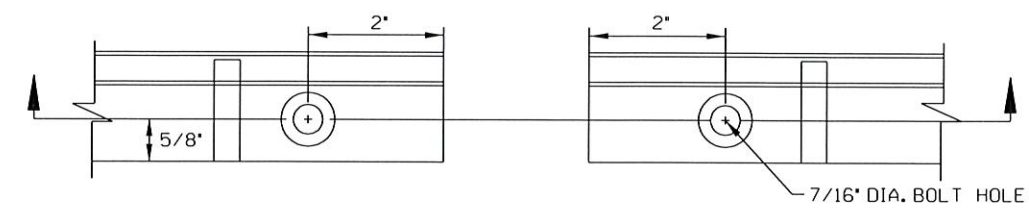


PATH NAME: /E1/PARTS/STD.DCN.STDS/787-50MLK-CRATE-TREE-WELL.DGN RMD 03/05/2021



NOTE:  
COMPONENT NO'S: GRATE (2) 8708-0103; LT. OPENING GRATE (2) 8718-0004  
MATERIAL: CAST GRAY IRON ASTM A-48, CLASS 35B  
FINISH: NOT PAINTED  
WEIGHT: 312#/SET



FRAME BOLT HOLE DETAIL  
SCALE 1:2

NOTE:  
MATERIAL: CAST GRAY IRON ASTM A-48, CLASS 35B  
FINISH: NOT PAINTED  
WEIGHT: 19#

NOTE:  
SIDEWALKS AND RAMPS SHALL MEET THE ADA ACCESSIBILITY TECHNICAL REQUIREMENTS AS SHOWN AT WWW.ACCESS-BOARD.GOV/PROWAG/

REVISION	BY	DATE

*[Signature]*  
CITY ENGINEER

*[Signature]*  
DESIGN MANAGER

CITY OF TULSA, OKLAHOMA  
ENGINEERING SERVICES DEPARTMENT

SIDEWALK GRATE FOR TREE WELL

DATE: MARCH 2021  
STD. 787