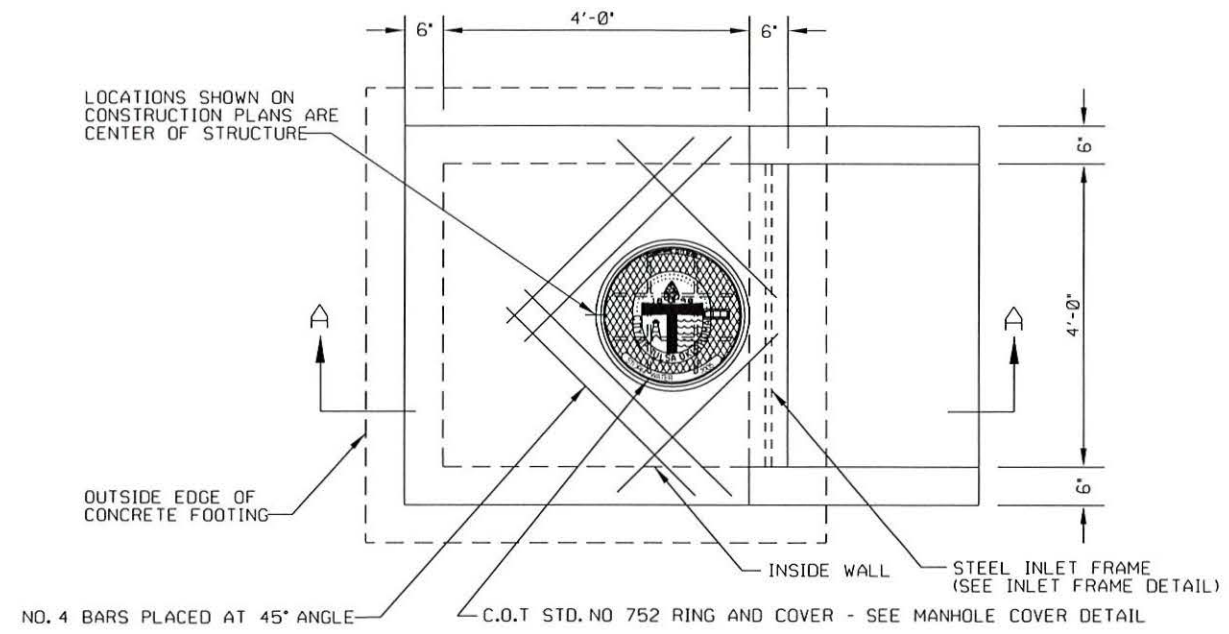
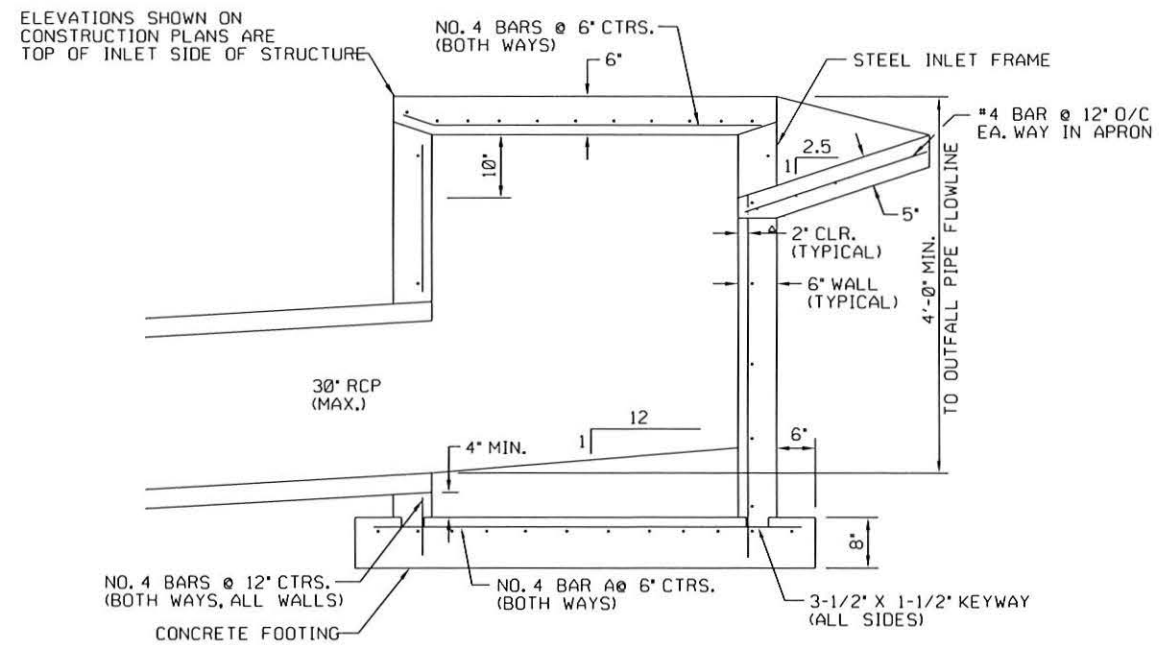


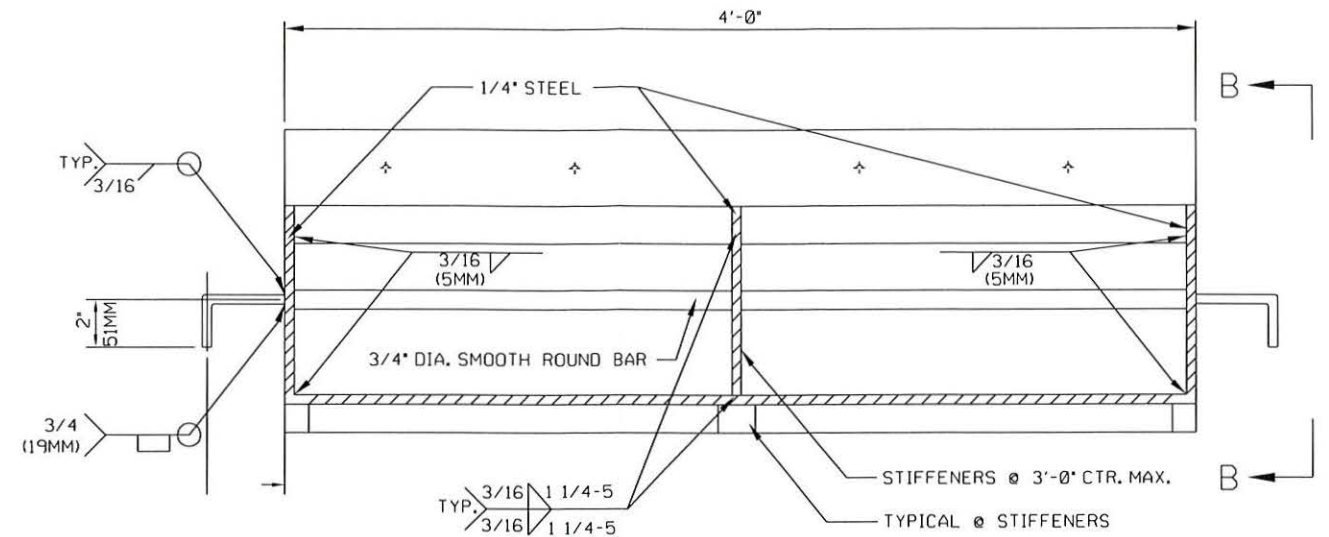
PATH NAME: /E1/PARTS/STD/DCN.STDS/792-SPECIAL-TYPEII-DROP-INLET.DGN RMO 06/04/2020



PLAN VIEW



SECTION A-A



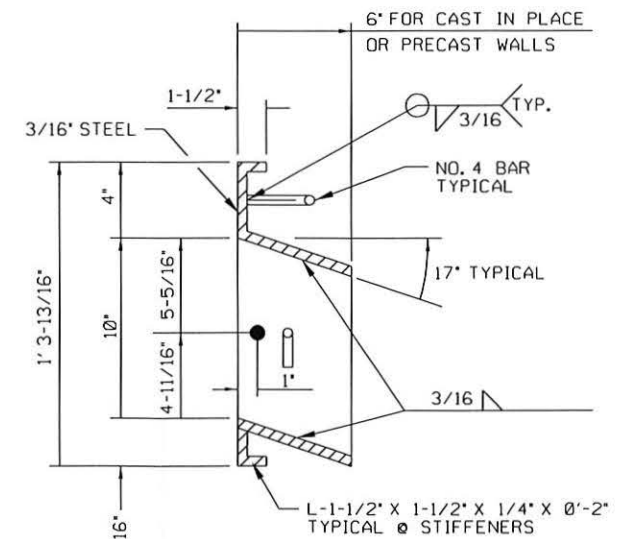
FRONT VIEW

AREA INLET NOTES

1. ALL STORM SEWER STRUCTURES SHALL BE PRE-CAST OR CAST IN PLACE. MASONRY CONSTRUCTION WILL NOT BE ALLOWED.
2. BERM LOCATION AND ELEVATION MAY VARY. SEE GRADING PLAN FOR EXACT LOCATION.
3. CONCRETE CONSTRUCTION SHALL MEET THE APPLICABLE REQUIREMENTS OF 2019 STANDARD SPECIFICATIONS FOR STATE ROAD AND BRIDGE CONSTRUCTION.
4. INLET FLOORS SHALL BE SHAPED WITH NON-REINFORCED CONCRETE INVERTS TO PROVIDE SMOOTH FLOW.
5. BEVEL ALL EXPOSED CONCRETE EDGES WITH 3/4" CHAMFER STRIPS.
6. REINFORCING STEEL SHALL BE GRADE 60 AS PER ASTM A615 AND SHALL BE BENT COLD.
7. ALL LAP SPLICES SHALL BE A MINIMUM OF 40 BAR DIAMETERS IN LENGTH.

STEEL INLET FRAME NOTES

1. ALL WELDS SHALL BE PERFORMED WITH APPROPRIATE AWS SPECIFICATIONS AND PROCEDURES.
2. ALL WELDS ON EXPOSED SURFACES SHALL BE DRESSED SO AS TO PROVIDE A PLEASING FINISHED APPEARANCE.
3. THE ENTIRE FRAME SHALL BE HOT DIP ZINC COATED IN ACCORDANCE WITH ASTM A-123.



SECTION B-B

10" STEEL INLET FRAME

AS MANUFACTURED BY SHAWNEE STEEL & WELDING, INC. OR APPROVED EQUAL.

REVISION	BY	DATE

 CITY ENGINEER	CITY OF TULSA, OKLAHOMA ENGINEERING SERVICES DEPARTMENT
	SPECIAL TYPE II DROP INLET
 DESIGN MANAGER	DATE: JUNE 2020