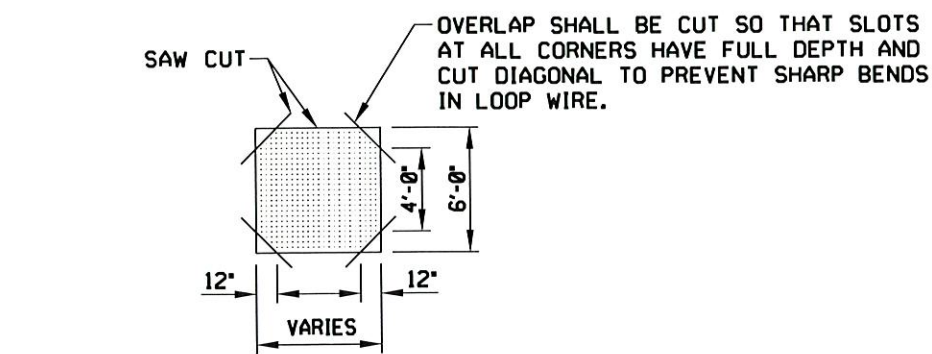


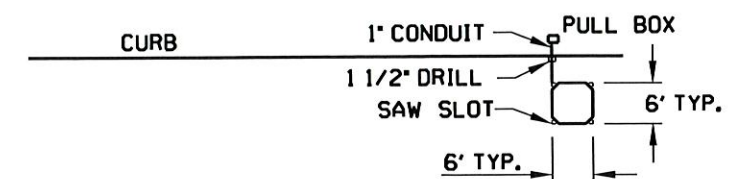
**LEFT TURN QUADRUPOLE LOOP  
WINDING INSTRUCTIONS**



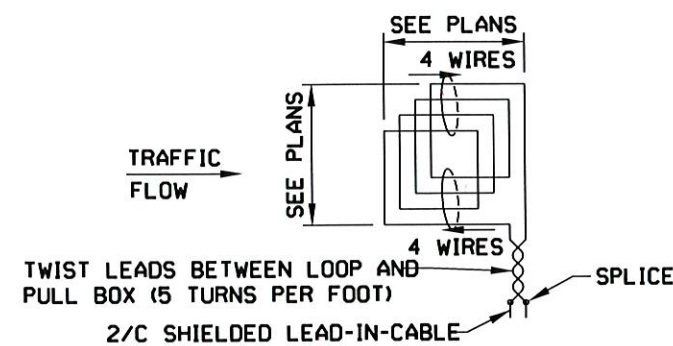
**ALL SAW CUT CORNERS - DIAGRAM**

NUMBER OF WIRES	1-2	3	4	5	6
CONCRETE	1 1/4	1 3/4	2	2 1/2	2 3/4
ASPHALT	1 3/4	2 1/4	2 1/2	3	3 1/4

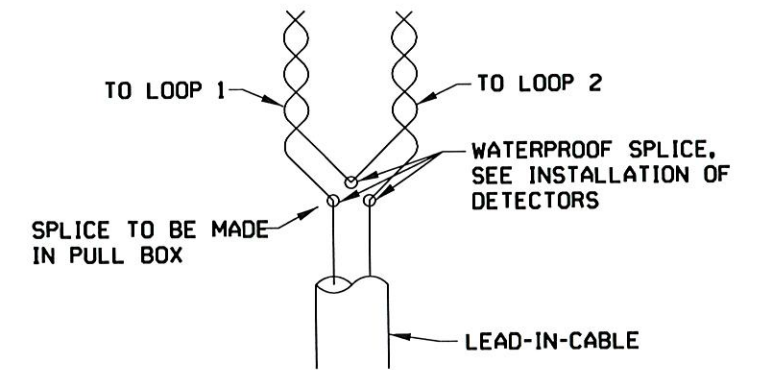
DESIGN SPEED MPH	DISTANCE *X* FT.
30	220
35	256
40	293
45	330



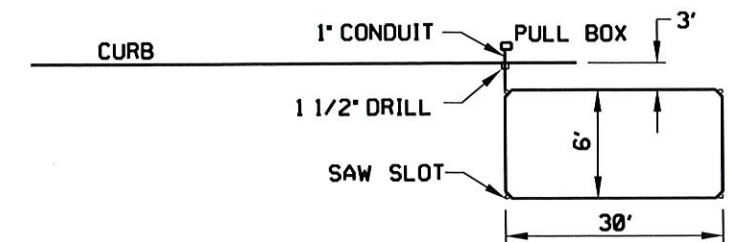
**STRAIGHT THROUGH LOOP (SMALL)  
(WITH 4 WRAPS)**



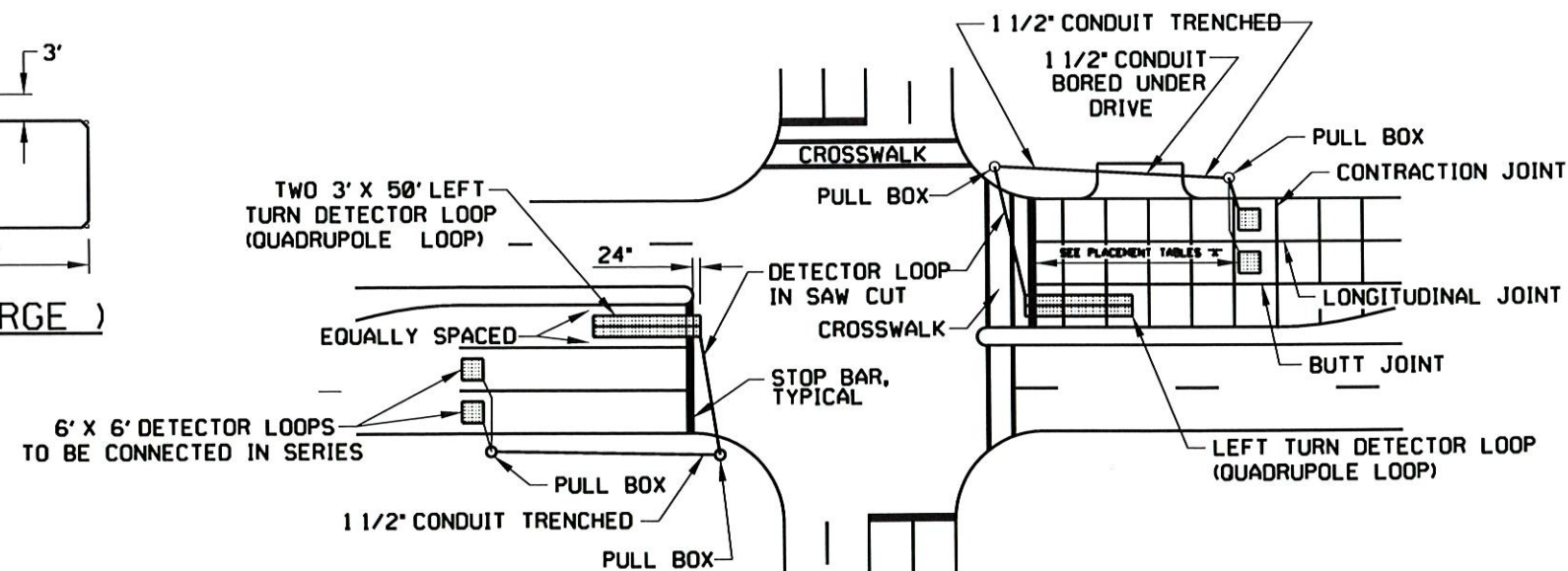
**STANDARD LOOP  
(6' x 6')  
(6' x 30')**



**TYPICAL LOOP DETECTOR WIRE  
CONNECTION IN SERIES**



**STRAIGHT THROUGH LOOP (LARGE)  
(WITH 4 WRAPS)**



**TYPICAL DETECTOR WIRE AND LOOP PLACEMENT**

REVISION	BY	DATE

CITY OF TULSA, OKLAHOMA  
ENGINEERING SERVICES DEPARTMENT

INSTALLATION OF DETECTORS

DATE: AUGUST 2021

STD. 604A