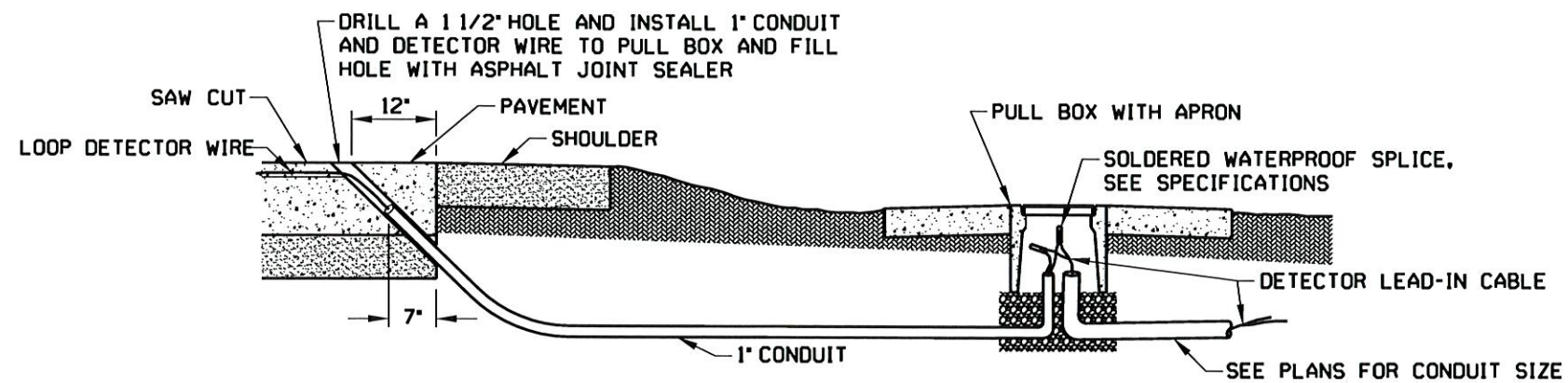
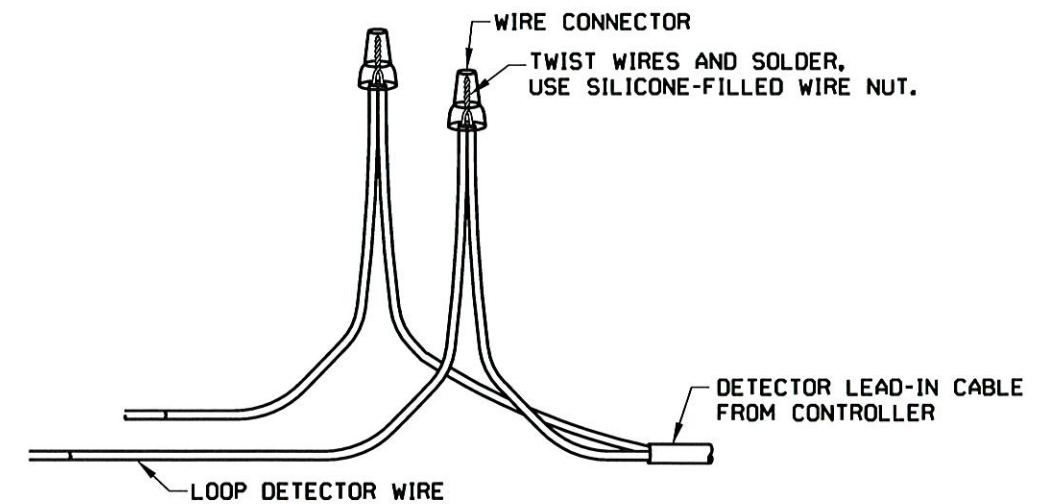


SECTION VIEW OF LOOP DETECTOR WIRE THROUGH EXISTING CURB TO PULL BOX



SECTION VIEW OF LOOP DETECTOR WIRE THROUGH PAVEMENT TO PULL BOX



LOOP DETECTOR WIRE CONNECTION DETAIL

REVISION	BY	DATE

[Signature]
CITY ENGINEER

[Signature]
CITY TRAFFIC ENGINEER

CITY OF TULSA, OKLAHOMA
ENGINEERING SERVICES DEPARTMENT

DETECTOR WIRE INSTALLATION

DATE: JULY 2021

STD. 604B