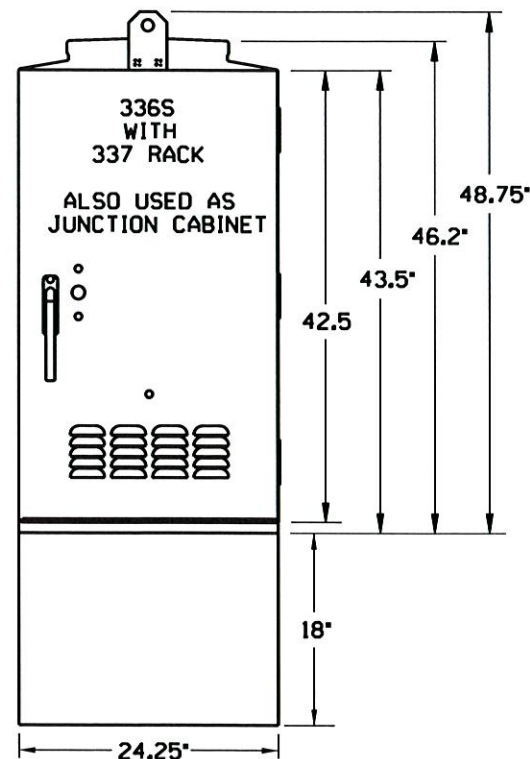
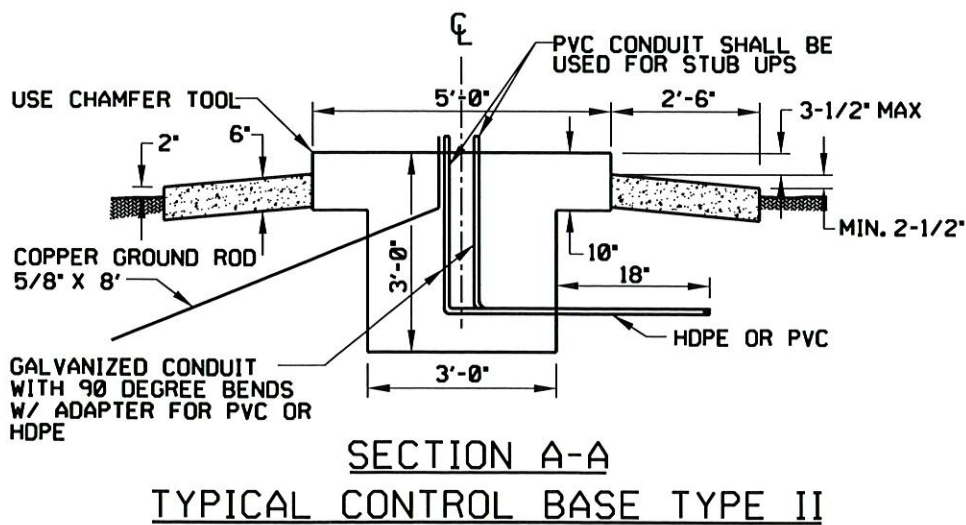
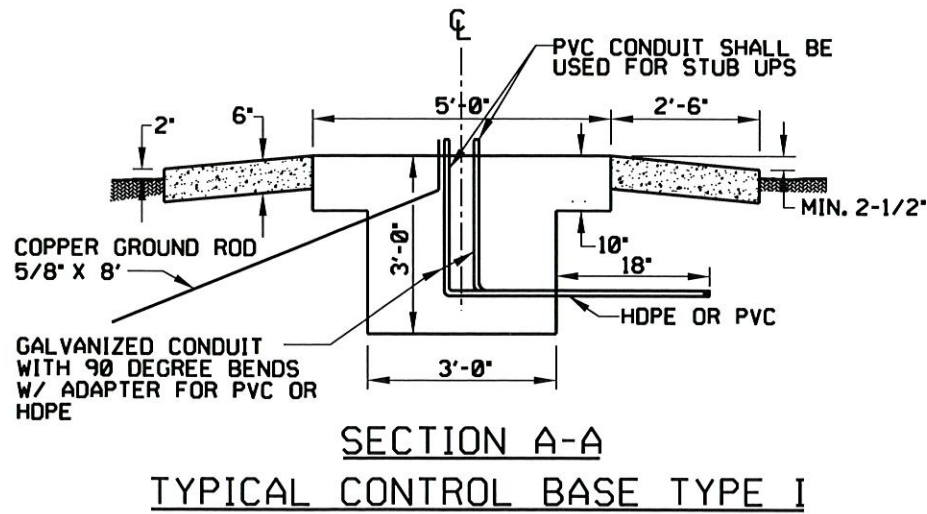
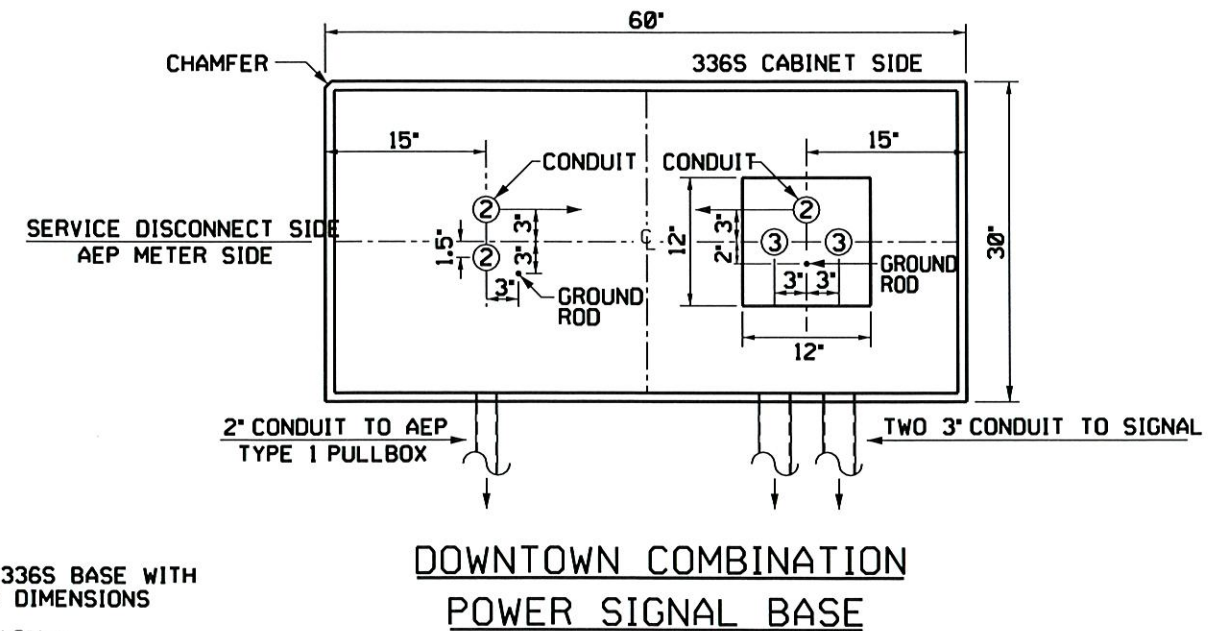
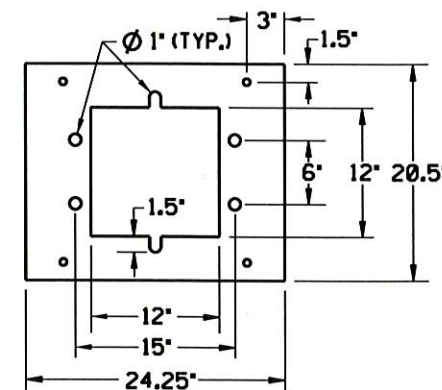


NOTE:

1. ALL MEASUREMENTS ARE FROM FINISH GRADE.
2. ALL CONDUIT TO BE SPECIFIED BY ENG. PLANS.
3. CONDUIT CLUSTER AT THE CENTER OF THE CONCRETE PAD SHALL BE THE HIGH POINT OF THE PAD TO PREVENT WATER FROM POOLING ON THE PAD.



BASE
NOTE: DRILL BOTTOM OF 336S BASE WITH 7/8" DRILL TO THESE DIMENSIONS



REVISION	BY	DATE

[Signature]
CITY ENGINEER

[Signature]
CITY TRAFFIC MANAGER

CITY OF TULSA, OKLAHOMA
ENGINEERING SERVICES DEPARTMENT

336S CONTROLLER CABINET DETAIL

DATE: AUGUST 2021

STD. 610B