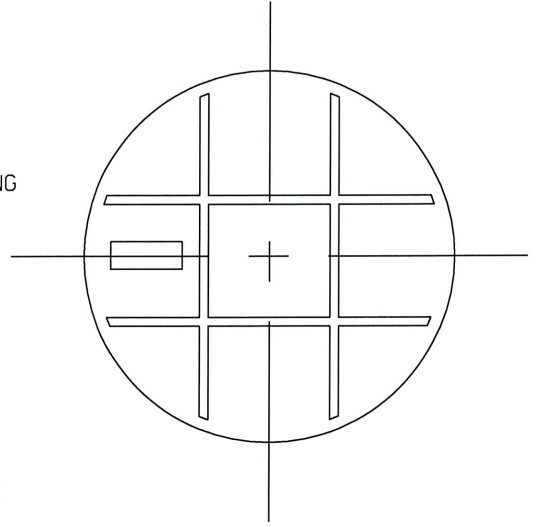
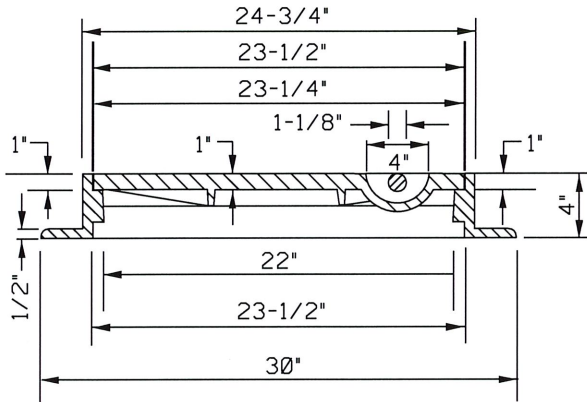


LID AND FRAME - TOP VIEW



LID - BOTTOM VIEW



LID AND FRAME

NOTE:

1. FURNISHED WITH MACHINED HORIZONTAL BEARING SURFACE.
2. BACK SIDE OF COVER READS:
MADE IN USA
JULIAN HEAT DATE
AASHTO A48 35B
3. NOT TO BE USED IN PAVED AREAS SUBJECT TO VEHICLE TRAFFIC.

STANDARD DETAIL FRAME AND LID FOR MANHOLES	
CITY OF TULSA, OKLAHOMA ENGINEERING SERVICES DEPARTMENT	
DRAWN BY: R.M.O. CHECKED BY: <i>HAS</i> DATE: MARCH 2022	APPROVED
NOT TO SCALE	STANDARD NO. 352