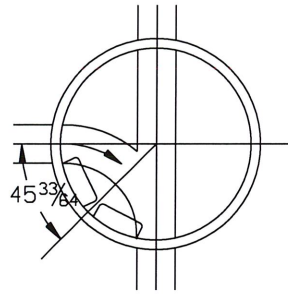
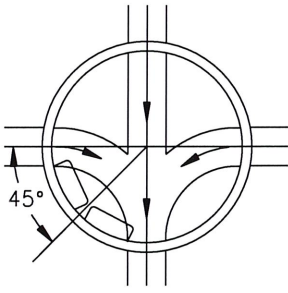


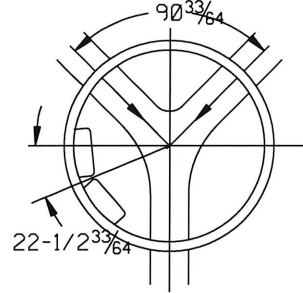
IN LINE



TEE

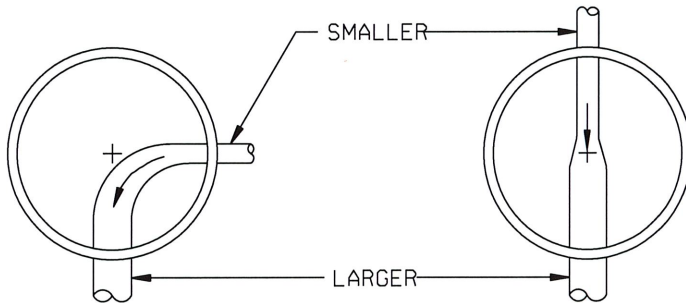
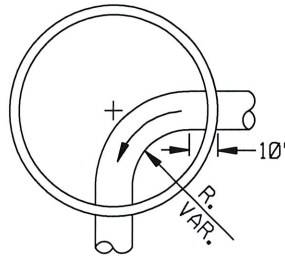
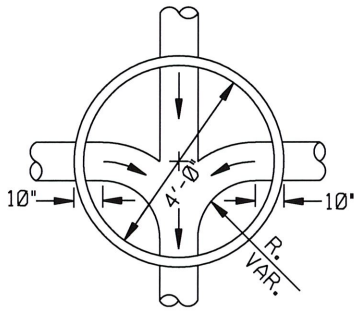


CROSS



"Y"

LOCATION OF MANHOLE STEPS



PIPE	R.
8"	10"
10"	9"
12"	8"

TYPICAL MANHOLE INVERT DETAILS

PATH NAME: /E1/PARTS/STD/DGN_STD/366-STEPLOC-INVERT.DGN LFM 05/25/2012

STANDARD DETAIL FOR MANHOLE STEP LOCATION AND INVERT DETAILS	
CITY OF TULSA, OKLAHOMA ENGINEERING SERVICES DEPARTMENT	
DRAWN BY: R.M.O. CHECKED BY: <i>HAS</i> DATE: MARCH 2022	APPROVED
NOT TO SCALE	STANDARD NO. 366