

(REPLACE FRAME SEAL ONLY)
 REMOVE EXISTING FRAME AND COVER,
 CLEAN AND RESET.

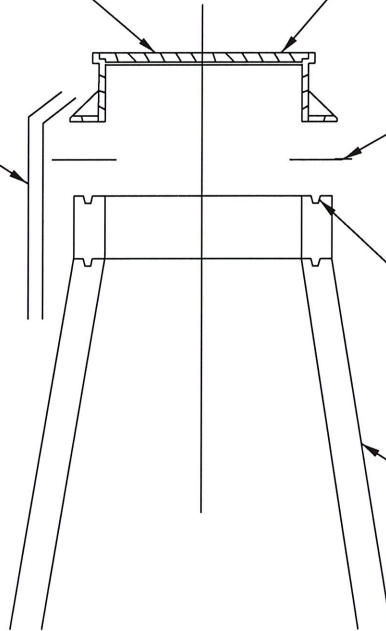
(REPLACE COVER/FRAME/FRAME SEAL)
 REMOVE EXISTING FRAME AND COVER,
 REPLACE WITH NEW FRAME AND COVER.
 CONTRACTOR TO DISPOSE OF
 REMOVED CASTINGS.

TROWELABLE BITUMASTIC SHALL
 BE APPLIED FROM THE TOP OF
 LOWER FLANGE TO 6" BELOW FRAME
 SEAL. WRAP WITH 6 MIL PLASTIC.

TROWELABLE BITUMASTIC JOINT SEALER
 (NOMINAL 1/2" THICKNESS)

BONDING AGENT TO BE APPLIED
 FOLLOWED BY A HIGH EARLY
 STRENGTH CONCRETE LEVELING
 COURSE, OCTOCRETE OR APPROVED
 EQUAL (MAX. THICKNESS 3").


EXISTING MANHOLE



TYPICAL COVER, FRAME, AND FRAME SEAL REPAIR DETAIL

NOT TO SCALE

PATH NAME: /E1/PARTS/STD/DGN.STDS/402-COV-FRM-SEAL-REP.DGN LFM 05/25/2012

COVER, FRAME, AND FRAME SEAL REPAIR	
CITY OF TULSA, OKLAHOMA ENGINEERING SERVICES DEPARTMENT	
DRAWN BY: R.M.O. CHECKED BY: <i>HAS</i> DATE: MARCH 2022	APPROVED 
NOT TO SCALE	STANDARD NO. 402