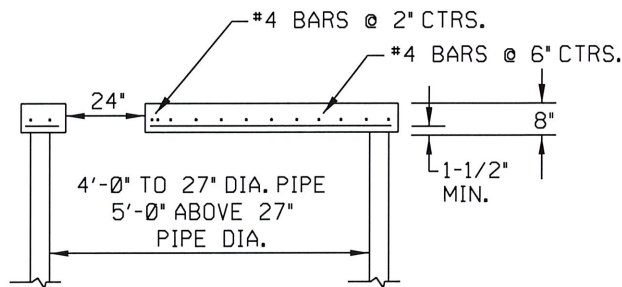
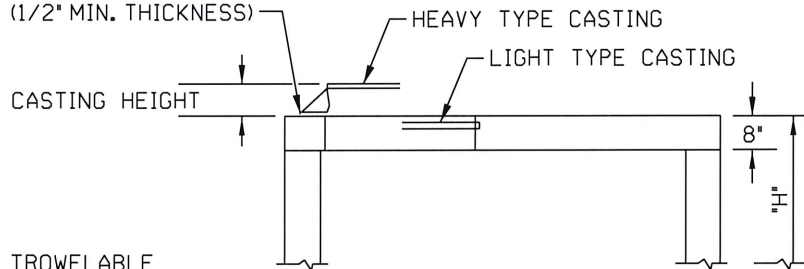


TYPICAL REINFORCING FOR FLATTOP SLABS

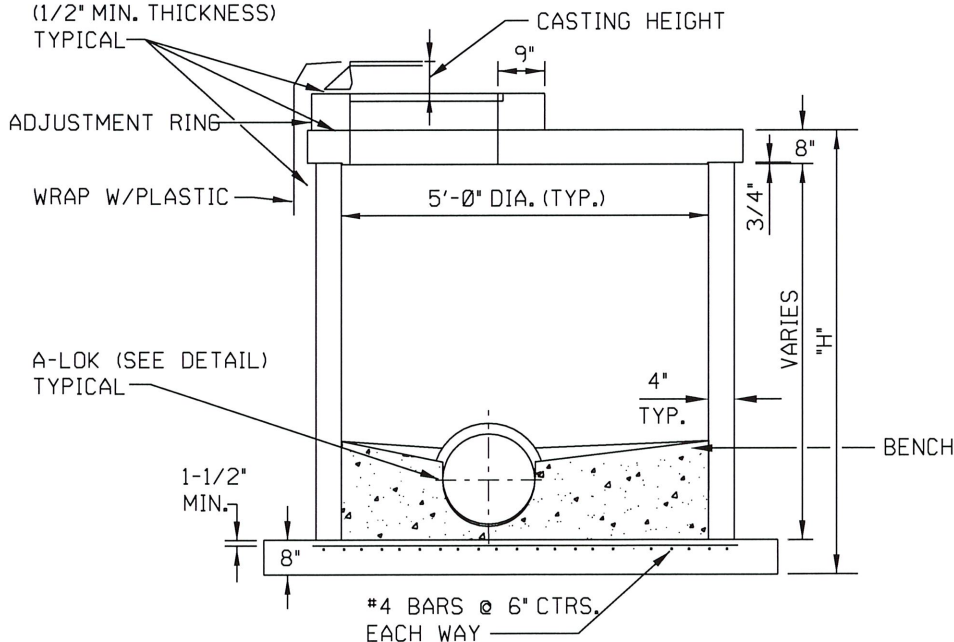


SECTION A-A

TROWELABLE BITUMASTIC SEALER (1/2" MIN. THICKNESS)



TROWELABLE BITUMASTIC SEALER (1/2" MIN. THICKNESS) TYPICAL



TYPICAL REPLACEMENT SHALLOW FLATTOP MANHOLE
NOT TO SCALE

NOTE:

WELDED WIRE MESH OF EQUIVALENT CROSS-SECTIONAL AREA MAY BE SUBSTITUTED FOR #4 BARS @ 6" CTRS. (4 LAYERS MAX.). BARS @ 2" CTRS. AROUND OPENING TO BE AS SHOWN.

ROUGH-IN OPENINGS:

CONCRETE SHALL BE LEFT ROUGH TO PROVIDE BOND FOR GROUT. BONDING AGENT TO BE APPLIED TO ENSURE TIGHT BOND BETWEEN ROUGH OPENING AND CONCRETE.

HEIGHT "H" LESS THAN 4'-0" FOR SHALLOW FLATTOP MANHOLE.

PATH NAME: /E1/PARTS/STD/DGN.STDS/406-SHAL-FLAT-MH.DGN LFM 05/25/2012

SHALLOW FLATTOP MANHOLE	
CITY OF TULSA, OKLAHOMA ENGINEERING SERVICES DEPARTMENT	
DRAWN BY: R.M.O.	APPROVED:
CHECKED BY: <i>HAS</i>	<i>[Signature]</i>
DATE: MARCH 2022	
NOT TO SCALE	STANDARD NO. 406