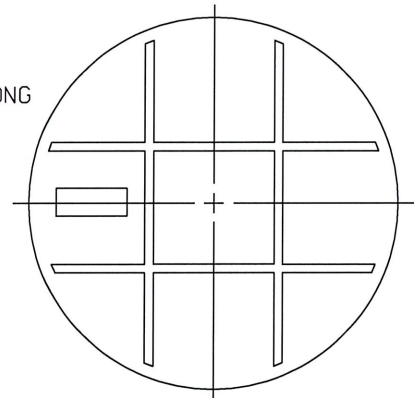
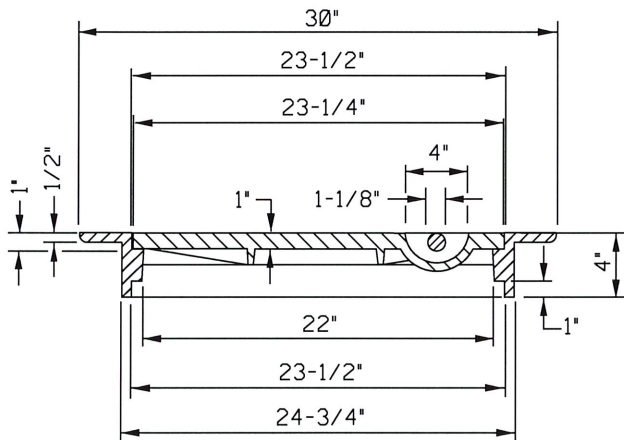


LID AND FRAME - TOP VIEW



LID - BOTTOM VIEW



LID AND FRAME

NOTE:

1. FURNISHED WITH MACHINED HORIZONTAL BEARING SURFACE.
2. BACK SIDE OF COVER READS:
MADE IN USA,
JULIAN HEAT DATE
AASHTO A48 35B
3. NOT TO BE USED IN PAVED AREAS SUBJECT TO VEHICLE TRAFFIC.

PATH NAME: /E1/PARTS/STD/DCN.STDS/752-FRAME-LID-YAUL.T.DGN LFM 05/29/2012

STANDARD DETAIL FRAME AND LID FOR STORMWATER MANHOLES	
CITY OF TULSA, OKLAHOMA ENGINEERING SERVICES DEPARTMENT	
DRAWN BY: R.M.O. CHECKED BY: <i>HBS</i> DATE: MARCH 2022	APPROVED
NOT TO SCALE	STANDARD NO. 752