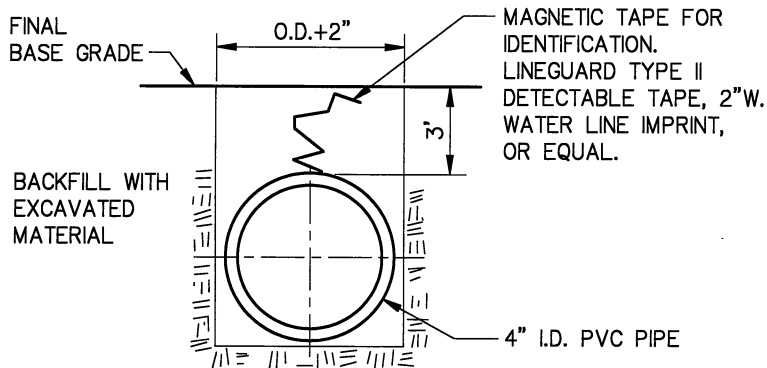
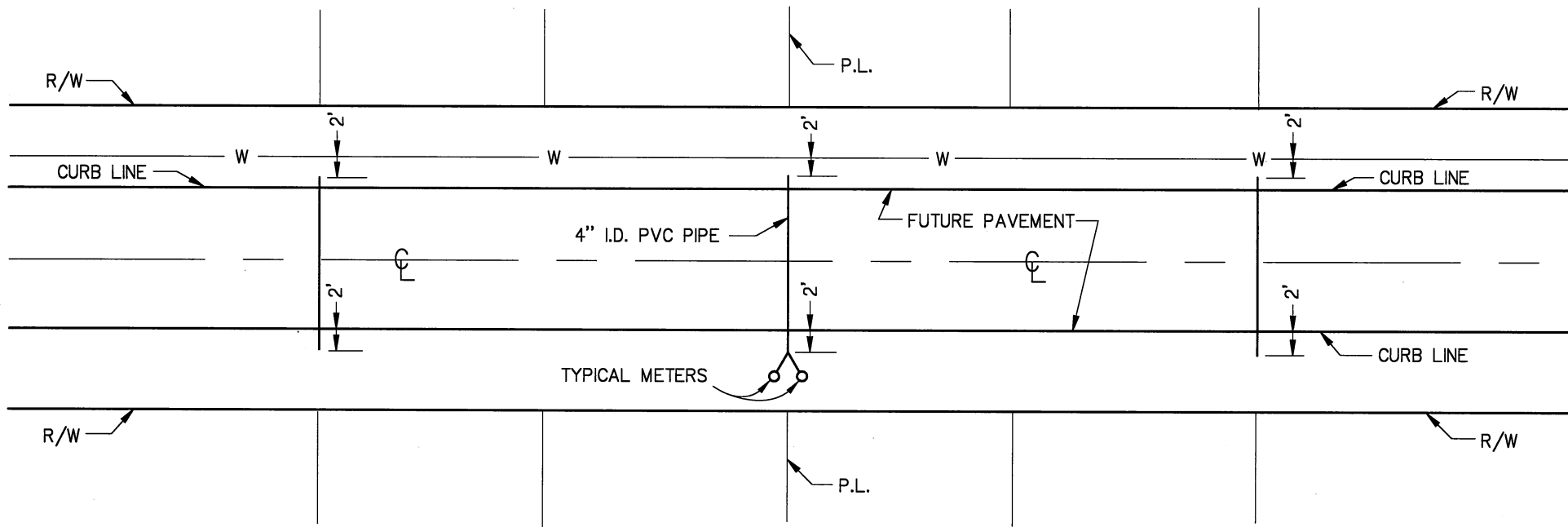


PATH NAME: /E1/PARTS/STD/DGN/STDS/302-CONDUIT-FUTURE.DGN LFM 05/24/2012



**TRENCH DETAIL**

**NOTE:**  
PIPE ENDS SHALL BE PLUGGED AND  
MAGNETIC TAPE IDENTIFYING WATER LINE  
SHALL BE PLANTED AT EACH END OF CONDUIT.

**PIPE:** SDR-35 (ROBINTech) CONFORMS TO ASTM-D-3034,  
OR SCHEDULE 40 MEETING ASTM 1870

**SIZE:** 4" I.D.

**WALL THICKNESS:** .120 (SDR-35) AND .266 (SCHEDULE 40)

**COLOR:** WHITE

**FITTINGS AND JOINTS:** BELL AND SPIGOT (SDR-35),  
SOLVENT WELD (SCHEDULE 40)

RESIDENTIAL  
SPECIAL APPROVAL ONLY

STANDARD DETAIL  
CONDUIT FOR FUTURE SERVICE LINES

CITY OF TULSA, OKLAHOMA  
ENGINEERING SERVICES DEPARTMENT

DRAWN BY: S.B.W.  
CHECKED BY:  
DATE: OCTOBER 2013

APPROVED

NOT TO SCALE

STANDARD NO. 302