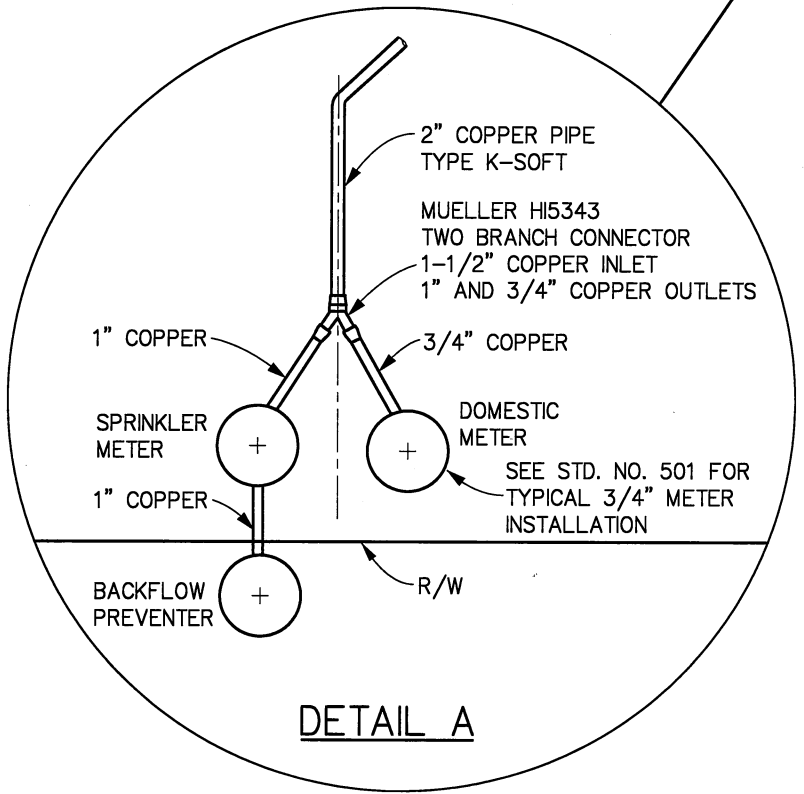
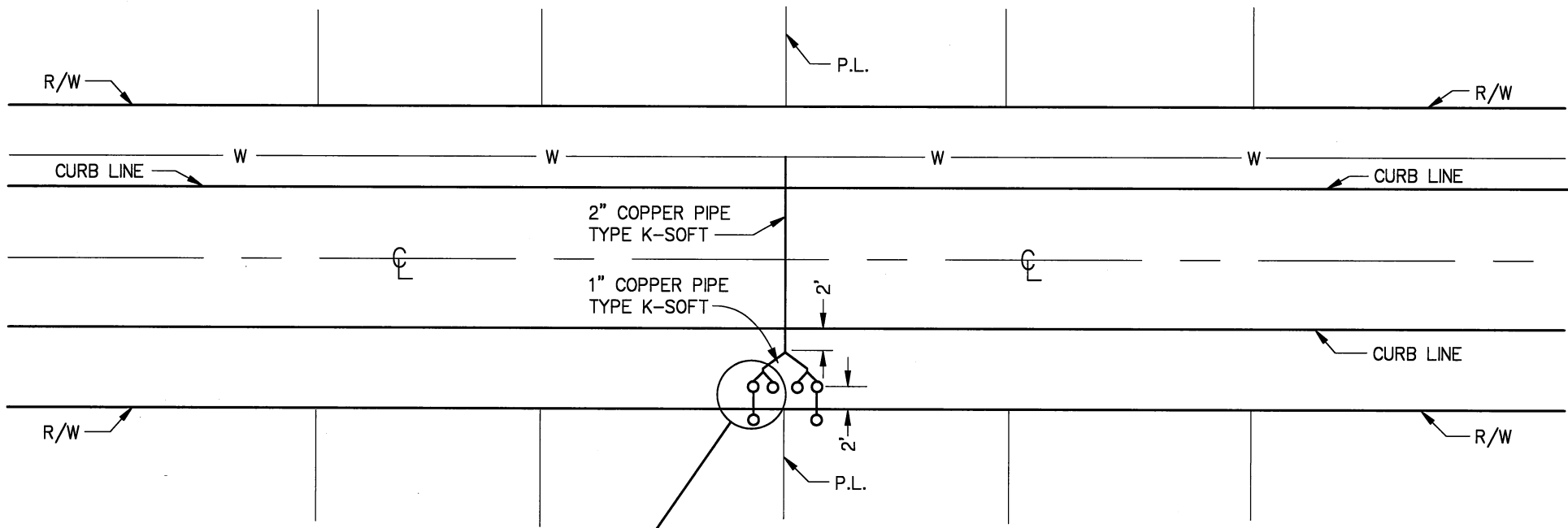


PATH NAME: /E1/PARTS/STD/DGN/STD/303-DUAL-DOM-SPRINKLR.DGN_RMO_07/18/2012



RESIDENTIAL
SPECIAL APPROVAL ONLY

STANDARD DETAIL
DUAL DOMESTIC/SPRINKLER FROM 2" LINE

CITY OF TULSA, OKLAHOMA
ENGINEERING SERVICES DEPARTMENT

DRAWN BY: S.R.W.
CHECKED BY:
DATE: OCTOBER 2013

APPROVED
[Signature]

NOT TO SCALE

STANDARD NO. 305