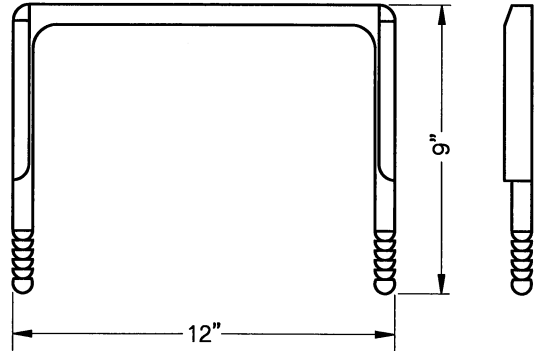
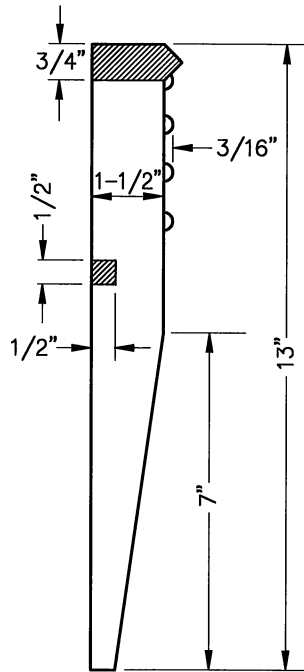


STANDARD STEP
1/4 SCALE



ALTERNATE STEP 2
1/6 SCALE

COPOLYMER POLYPROPYLENE
PLASTIC PSI - PF MANHOLE STEP,
USING THE 1/2" GRADE 60 REBAR.

SEE STANDARD 366 - STANDARD DETAIL FOR
MANHOLE STEP LOCATION AND INVERT DETAILS.

(REINFORCED STEEL, EPOXY OR RESILIENT COATED)

1/2" REINFORCING BAR MEETING ASTM DESIGNATION A15 ENCASED
IN NATURAL CORROSION-RESISTANT RUBBER OR EPOXY WITH A TRACTION
TREAD OF RESILIENT RUBBER OR EPOXY MEETING ASTM DESIGNATION C443.

| | |
|--|------------------|
| STANDARD DETAIL MANHOLE STEPS | |
| CITY OF TULSA, OKLAHOMA ENGINEERING SERVICES DEPARTMENT | |
| DRAWN BY: S.R.W. | APPROVED |
| CHECKED BY: | |
| DATE: OCTOBER 2013 | |
| NOT TO SCALE | STANDARD NO. 314 |