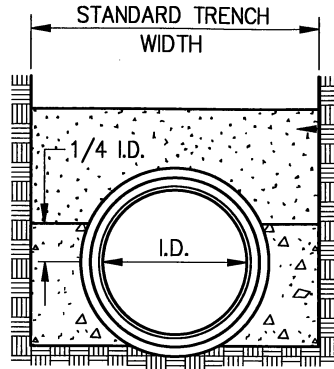


CONCRETE ENCASEMENT

CONCRETE PER LIN. FT.

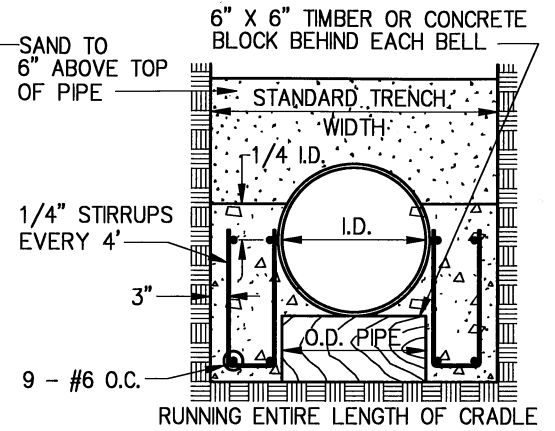
8" I.D.	CIP, VCP, RCP	1.41	CU. FT.
10" I.D.	"	1.67	"
12" I.D.	"	1.93	"
15" I.D.	"	2.36	"
18" I.D.	"	2.81	"
21" I.D.	"	3.27	"
24" I.D.	"	3.76	"
27" I.D.	"	4.26	"
30" I.D.	CIP, VCP	4.78	"
30" I.D.	RCP	5.09	"
36" I.D.	CIP, VCP	5.80	"
36" I.D.	RCP	6.20	"



CONCRETE CRADLE

CONCRETE PER LIN. FT.

8" I.D.	CIP, VCP, RCP	1.09	CU. FT.
10" I.D.	"	1.23	"
12" I.D.	"	1.33	"
15" I.D.	"	1.66	"
18" I.D.	"	2.00	"
21" I.D.	"	1.96	"
24" I.D.	"	2.69	"
27" I.D.	"	3.52	"
30" I.D.	CIP, VCP	3.38	"
30" I.D.	RCP	4.40	"
36" I.D.	CIP, VCP	4.12	"
36" I.D.	RCP	5.26	"



RUNNING ENTIRE LENGTH OF CRADLE

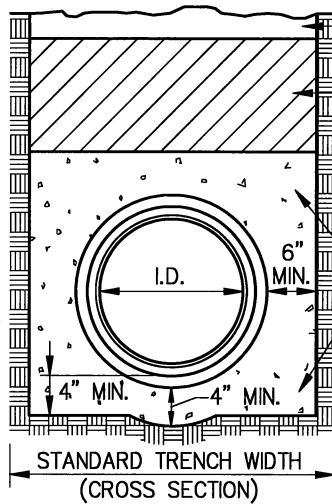
WATER TABLE CRADLE

CONCRETE PER LIN. FT.

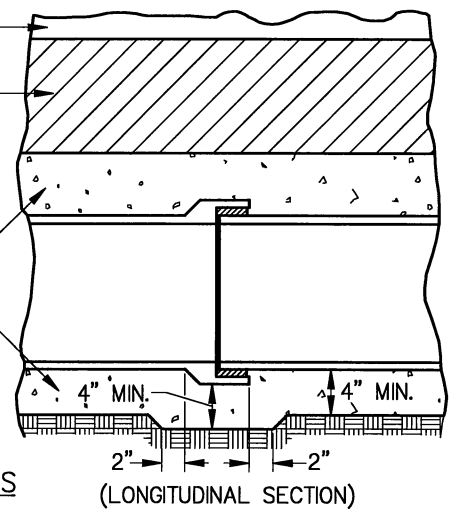
8" I.D.	CIP, VCP, RCP	2.34	CU. FT.
10" I.D.	"	2.48	"
12" I.D.	"	2.58	"
15" I.D.	"	3.04	"
18" I.D.	"	3.50	"
21" I.D.	"	3.46	"
24" I.D.	"	4.44	"
27" I.D.	"	5.52	"
30" I.D.	CIP, VCP	5.38	"
30" I.D.	RCP	6.65	"
36" I.D.	CIP, VCP	6.37	"
36" I.D.	RCP	7.76	"

I.D. PIPE	STANDARD TRENCH WIDTH
2" - 12"	30"
14" - 18"	36"
20" - 24"	42"
26" - 30"	54"
32" - 36"	60"
38" - 42"	66"
44" - 48"	72"
50" - 54"	78"
56" - 60"	84"
66" - 72"	108"

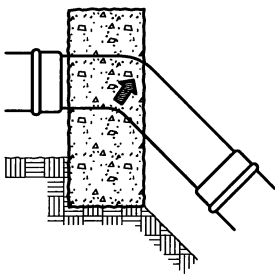
NOTE:  
ALL FINISHED SUB-GRADES SHALL BE PREPARED ACCURATELY BY MEANS OF HAND TOOLS.



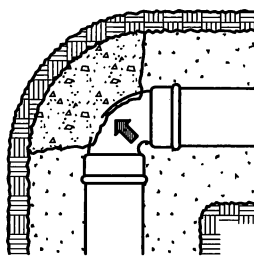
TRENCH CONDITIONS



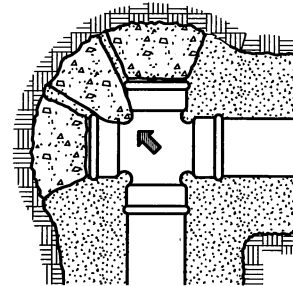
(LONGITUDINAL SECTION)



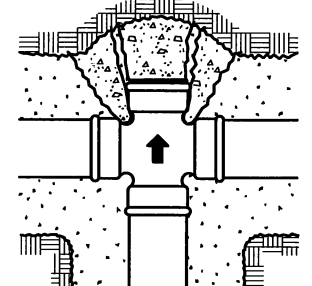
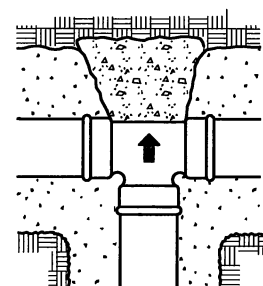
10" AND LARGER



2" - 8" PIPE



THRUST BLOCKS



STANDARD DETAIL  
THRUST BLOCKS AND TRENCH CONDITIONS

CITY OF TULSA, OKLAHOMA  
ENGINEERING SERVICES DEPARTMENT

DRAWN BY: S.R.W.  
CHECKED BY:  
DATE: OCTOBER 2013

APPROVED  
*[Signature]*

NOT TO SCALE

STANDARD NO. 315