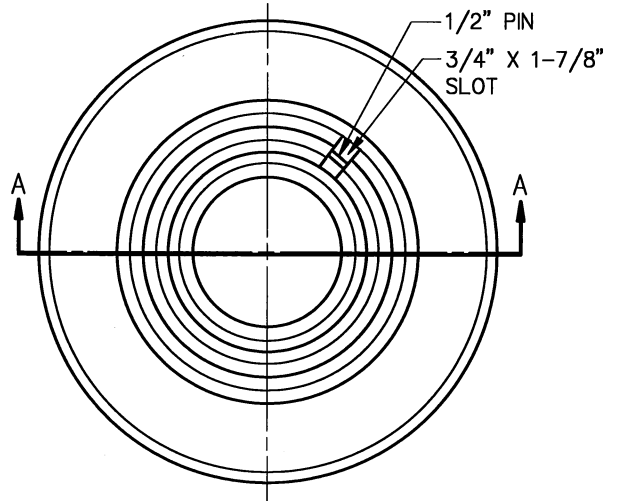
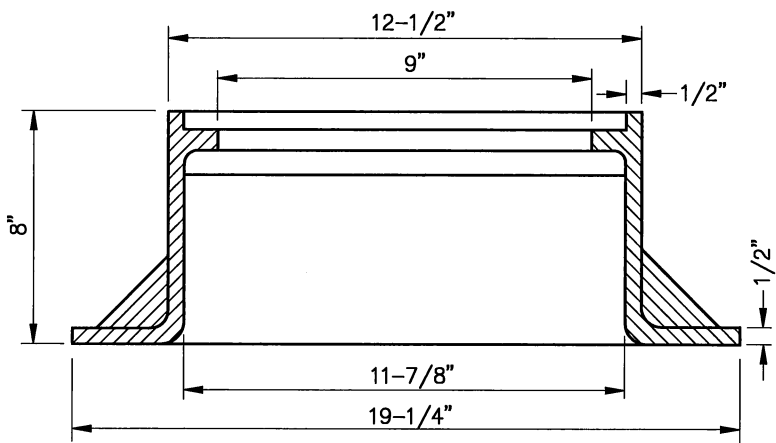


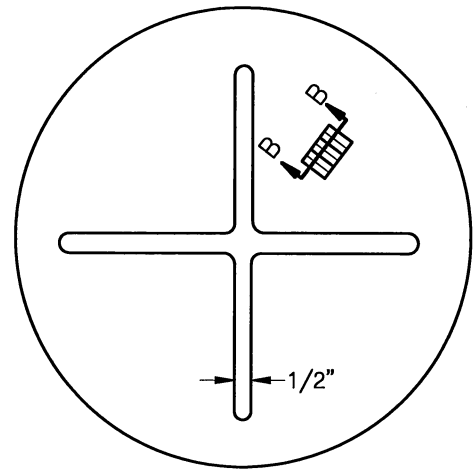
PLAN



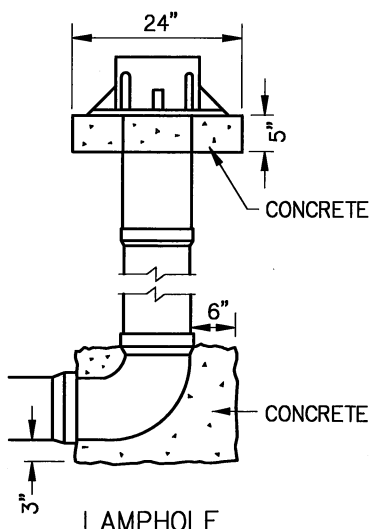
TOP OF COVER



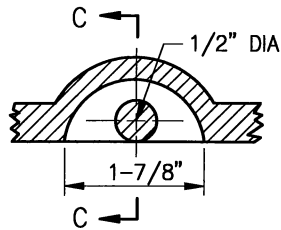
SECTION "A-A"
LAMPHOLE FRAME



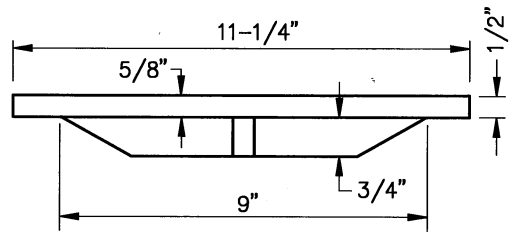
BOTTOM OF COVER



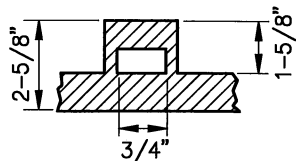
LAMPHOLE



SECTION "B-B"



SECTION "A-A"
LAMPHOLE COVER



SECTION "C-C"
LIFTING EYE DETAIL

STANDARD DETAIL FRAME AND LID FOR LAMPHOLES	
CITY OF TULSA, OKLAHOMA ENGINEERING SERVICES DEPARTMENT	
DRAWN BY: S.R.W.	APPROVED:
CHECKED BY:	
DATE: OCTOBER 2013	
NOT TO SCALE	STANDARD NO. 360