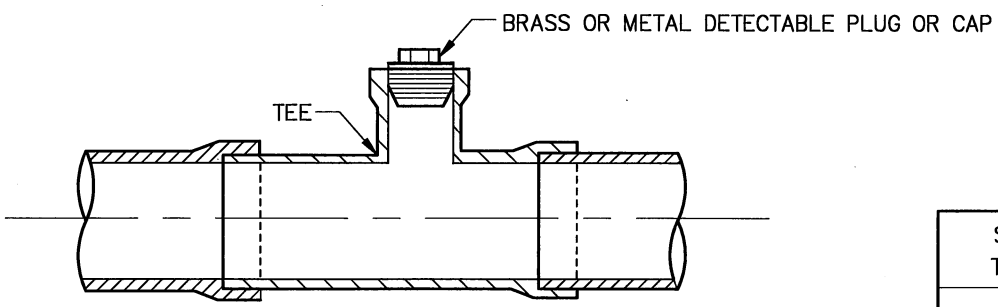
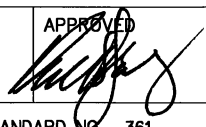


NOTE:
 TEE FITTING FOR SERVICE CONNECTIONS SHALL BE INSTALLED AND STATIONED WITH REFERENCE TO THE DOWNSTREAM MANHOLE.



TYPICAL CROSS-SECTION

STANDARD DETAIL FOR IN-LINE TEES FOR SERVICE CONNECTION	
CITY OF TULSA, OKLAHOMA ENGINEERING SERVICES DEPARTMENT	
DRAWN BY: S.R.W.	APPROVED
CHECKED BY:	
DATE: OCTOBER 2013	
NOT TO SCALE	STANDARD NO. 361