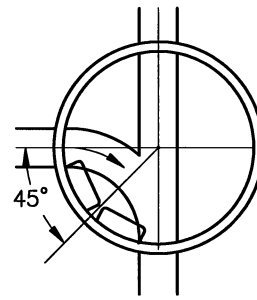
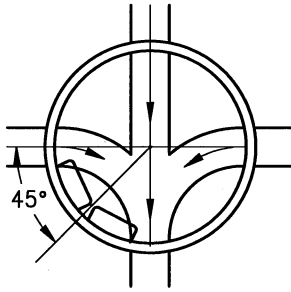


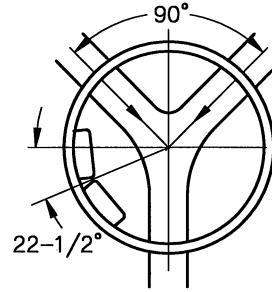
IN LINE



TEE

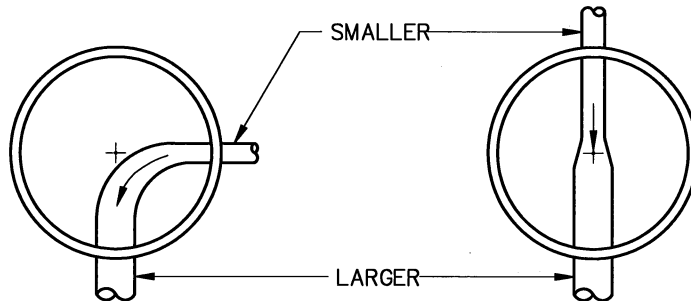
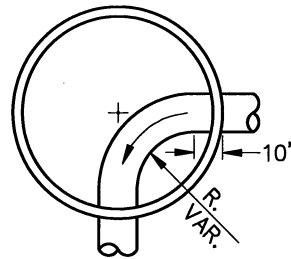
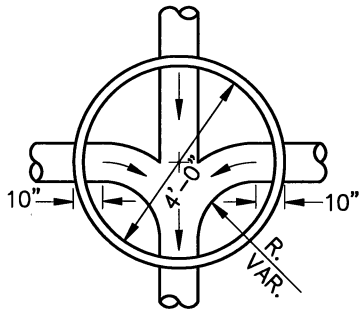


CROSS



"Y"

LOCATION OF MANHOLE STEPS



PIPE	R.
8"	10"
10"	9"
12"	8"

TYPICAL MANHOLE INVERT DETAILS

STANDARD DETAIL FOR MANHOLE STEP LOCATION AND INVERT DETAILS	
CITY OF TULSA, OKLAHOMA ENGINEERING SERVICES DEPARTMENT	
DRAWN BY: S.R.W.	APPROVED
CHECKED BY:	
DATE: OCTOBER 2013	
NOT TO SCALE	STANDARD NO. 366