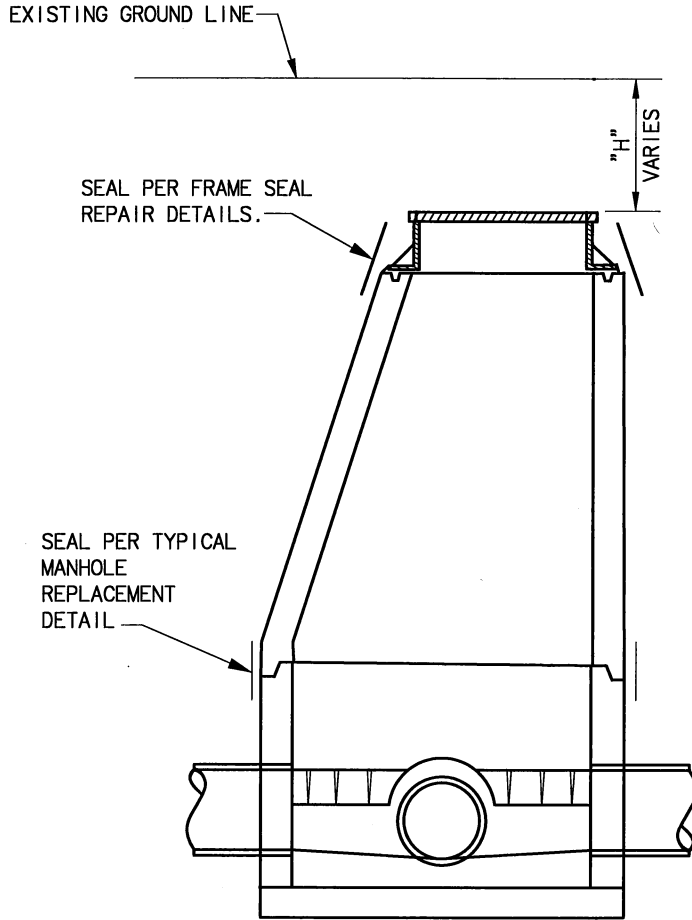


PATH NAME: /E1/PARTS/STD/DGN/STDS/401-MH-GRD-ADJ.DGN LFM 05/25/2012




MANHOLE GRADE ADJUSTMENT
NOT TO SCALE

NOTE:

(SEE SPECIAL CONDITIONS FOR DETAILED CONST. SPECIFICATIONS)

1. CONTRACTOR TO FIELD VERIFY ACTUAL "H" TO RAISE MANHOLE TO GRADE, 3" MAXIMUM.
2. MANHOLE SHALL BE THOROUGHLY CLEANED AND LOOSE DEBRIS REMOVED PRIOR TO BEGINNING REHABILITATION. CONTRACTOR SHALL PLACE COVERS OVER INVERTS AS NEEDED TO PROTECT INVERT FLOW LINE.
 - A. "H" PLUS EXISTING CHIMNEY GREATER THAN OR EQUAL TO 24"
 3. EXCAVATE MANHOLE TO 1' BELOW CORBEL/WALL JOINT. REMOVE FRAME AND COVER, CLEAN AND STOCKPILE FOR REUSE.
 4. LIFT CORBEL TO REMOVE FROM WALL SECTION.
 5. ADD PRECAST WALL SECTIONS AND CORBEL TO BRING MANHOLE TO GRADE. SEAL JOINTS WITH TROWELABLE BITUMASTIC OR HLM 5000 6" BELOW AND ABOVE. WRAP WITH 6 MIL PLASTIC.
 6. CASTINGS SHALL BE CLEANED PRIOR TO REINSTALLATION, IF APPROVED BY ENGINEER.
 7. REINSTALL CASTINGS AND COMPLETE FRAME SEAL. INSTALL NEW CASTINGS AND FRAME SEAL IF REQUIRED. (PER TYPE B REPAIR SPECIFICATION)
 - B. "H" PLUS EXISTING CHIMNEY LESS THAN 24"
 3. EXCAVATE MANHOLE TO PROVIDE ACCESS TO INSTALL ADJUSTMENT RING.
 4. COAT EXISTING MANHOLE FRAME AND ADJUSTMENT RING WITH TROWELABLE BITUMASTIC SEALANT.
 5. REINSTALL MANHOLE COVER.
- C. ALL ADJUSTMENTS
 1. INSTALL STEPS IN ACCORDANCE WITH CITY STANDARDS.

MANHOLE GRADE ADJUSTMENT	
CITY OF TULSA, OKLAHOMA ENGINEERING SERVICES DEPARTMENT	
DRAWN BY: S.R.W. CHECKED BY: DATE: OCTOBER 2013	APPROVED 
NOT TO SCALE	STANDARD NO. 401