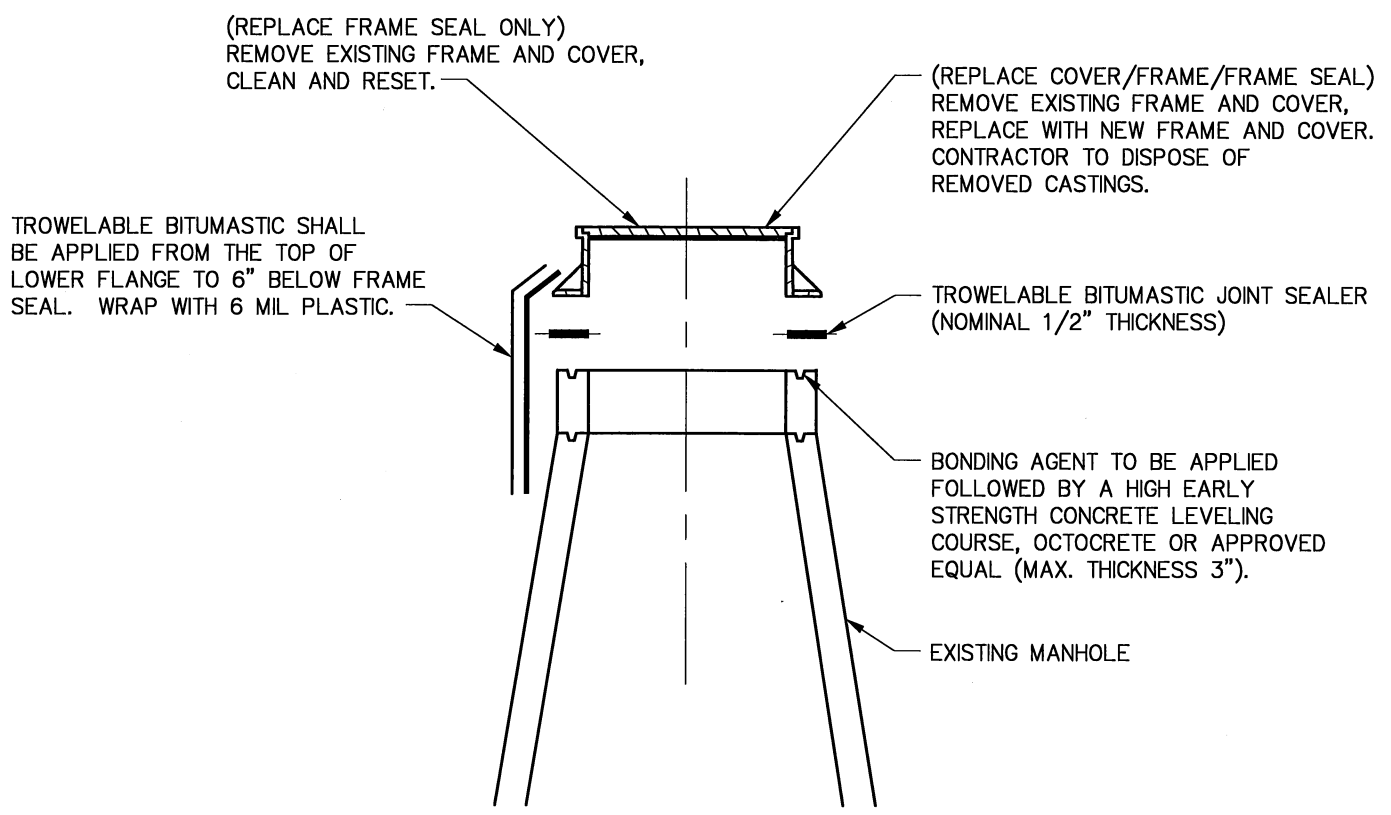


PATH NAME: /E1/PARTS/STD/DGN_STDS/402-COV-FRM-SEAL-REP.DGN LFM 05/25/2012



TYPICAL COVER, FRAME, AND FRAME SEAL REPAIR DETAIL
 NOT TO SCALE

COVER, FRAME, AND FRAME SEAL REPAIR	
CITY OF TULSA, OKLAHOMA ENGINEERING SERVICES DEPARTMENT	
DRAWN BY: S.R.W.	APPROVED <i>[Signature]</i>
CHECKED BY:	
DATE: OCTOBER 2013	
NOT TO SCALE	STANDARD NO. 402