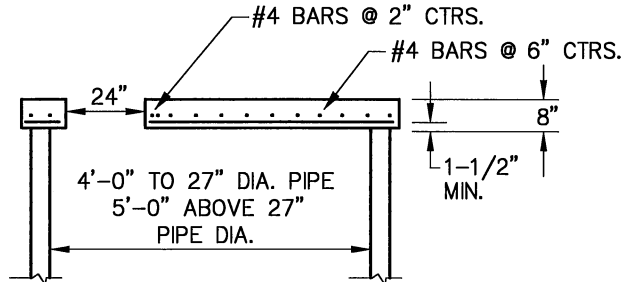
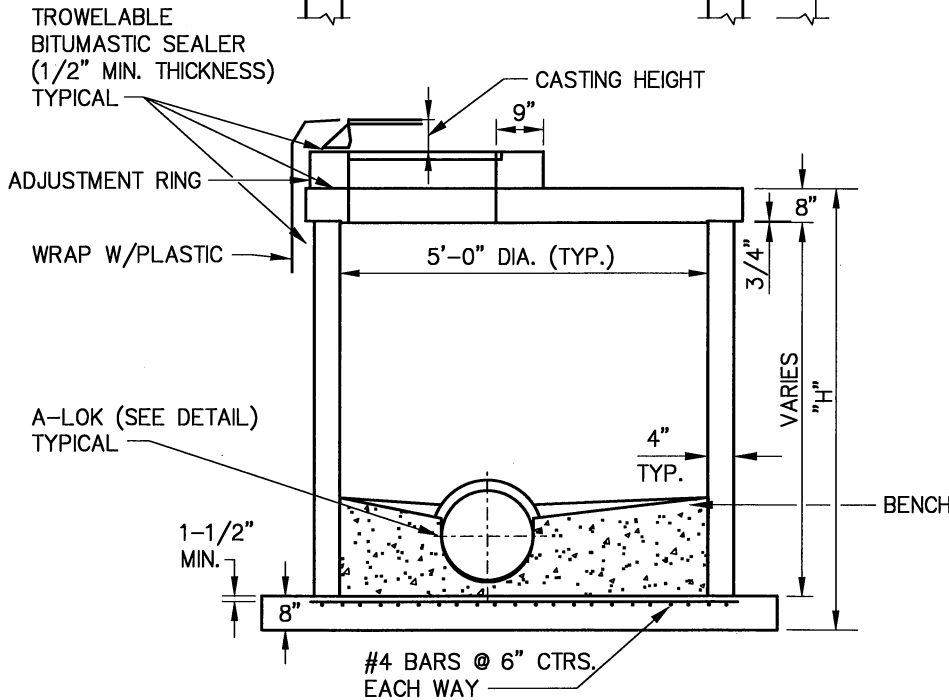
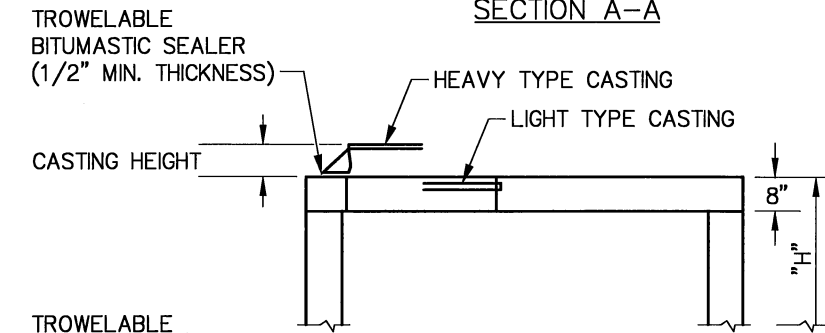


TYPICAL REINFORCING FOR FLATTOP SLABS



SECTION A-A



TYPICAL REPLACEMENT SHALLOW FLATTOP MANHOLE
NOT TO SCALE

NOTE:

WELDED WIRE MESH OF EQUIVALENT CROSS-SECTIONAL AREA MAY BE SUBSTITUTED FOR #4 BARS @ 6" CTRS. (4 LAYERS MAX.). BARS @ 2" CTRS. AROUND OPENING TO BE AS SHOWN.

ROUGH-IN OPENINGS:

CONCRETE SHALL BE LEFT ROUGH TO PROVIDE BOND FOR GROUT. BONDING AGENT TO BE APPLIED TO ENSURE TIGHT BOND BETWEEN ROUGH OPENING AND CONCRETE.

HEIGHT "H" LESS THAN 4'-0" FOR SHALLOW FLATTOP MANHOLE.

SHALLOW FLATTOP MANHOLE	
CITY OF TULSA, OKLAHOMA ENGINEERING SERVICES DEPARTMENT	
DRAWN BY: S.R.W.	APPROVED
CHECKED BY:	<i>[Signature]</i>
DATE: OCTOBER 2013	
NOT TO SCALE	STANDARD NO. 406