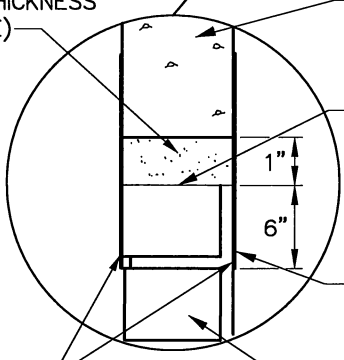


CONTRACTOR TO PROVIDE ADEQUATE BRACING TO PREVENT WALL/CORBEL MOVEMENT DURING INSTALLATION AND BACKFILL OPERATIONS

BONDING AGENT TO BE APPLIED FOLLOWED BY HIGH EARLY STRENGTH CONCRETE LEVELING COARSE (MAX. THICKNESS 3" MORTAR BASE)

NEW PRECAST CORBEL (USE FLAT BOTTOM FOR TYPE F REPAIR ON BRICK WALLS)

BRICK OR BLOCK SHALL BE REPLACED TO FORM A LEVEL SURFACE



TROWELABLE BITUMASTIC WITH 6 MIL. PLASTIC SHEET OR HLM 5000 OR APPROVED EQUAL, 1' ABOVE AND BELOW JOINT

EXISTING MANHOLE

TYPE M MORTAR COATING WITH TYPE 2 CURING COMPOUND, CURED A MIN. OF 16 HRS

CORBEL (CONE) REPLACEMENT DETAIL
NOT TO SCALE

NOTE:

1. FOR ADJUSTMENTS OF 24" OR GREATER, EXISTING CORBEL SECTION TO BE REMOVED AND NEW PRECAST CONCRETE WALL SECTION TO BE INSTALLED WITH NEW FRAME AND COVER PROVIDED IN ACCORDANCE WITH SPECIFICATION REQUIREMENTS.
2. FOR ADJUSTMENTS UNDER 24" , SEE "TYPICAL FRAME AND COVER REPAIR" OR "TYPICAL COVER, FRAME AND CHIMNEY REPLACEMENT"
3. ALL MANHOLES SHALL BE ADJUSTED TO GRADE IF NECESSARY.
4. ADJUSTMENTS WILL NOT BE PAID FOR DIRECTLY BUT NOT BE PAID FOR DIRECTLY BUT ARE CONSIDERED SUBSIDIARY TO OTHER ITEMS OF WORK.

CORBEL (CONE) REPLACEMENT	
CITY OF TULSA, OKLAHOMA ENGINEERING SERVICES DEPARTMENT	
DRAWN BY: S.R.W.	APPROVED
CHECKED BY:	<i>[Signature]</i>
DATE: OCTOBER 2013	
NOT TO SCALE	STANDARD NO. 410