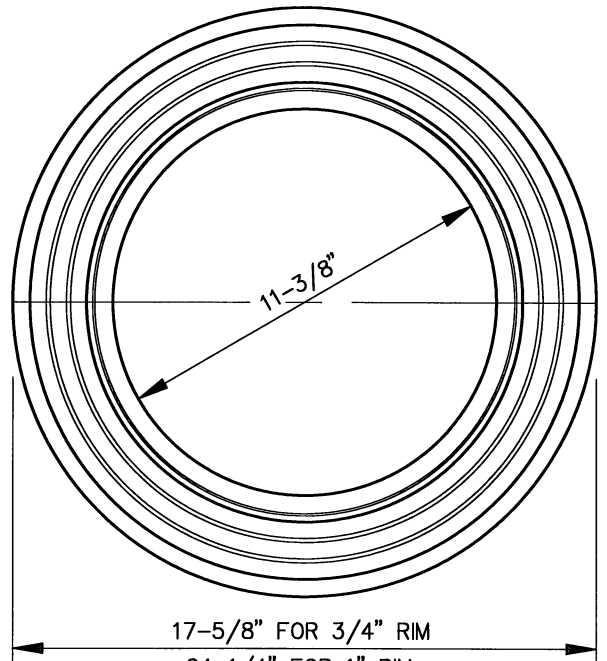
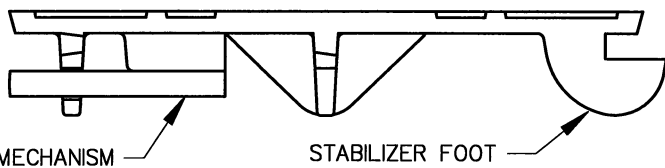


TOP VIEW OF LID



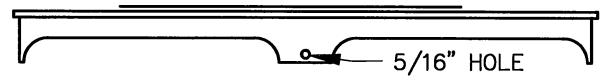
TOP VIEW OF RIM



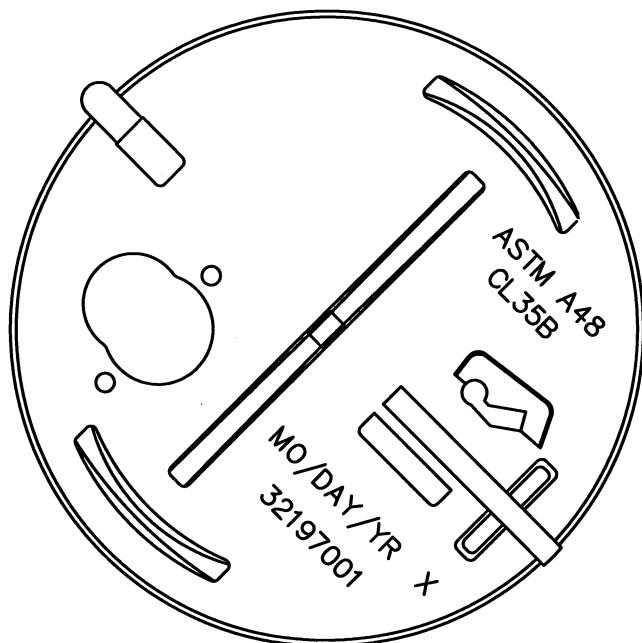
LOCKING MECHANISM

STABILIZER FOOT

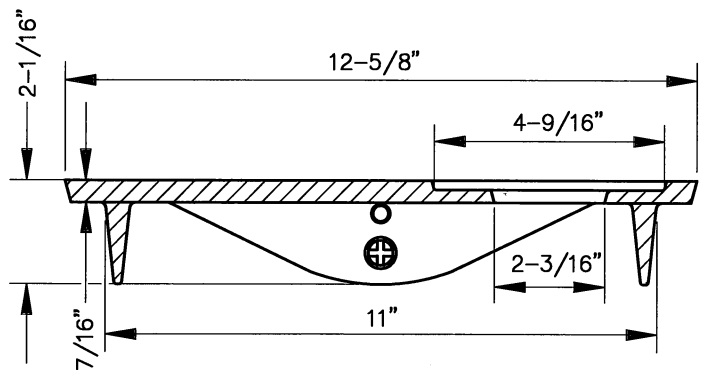
SIDE VIEW OF LID



SIDE VIEW OF RIM



COVER BACK



COVER SECTION OF LID

METER CAN WITH RIM AND LID
FOR 5/8" X 3/4" AND 1"
WATER METER CAN INSTALLATION

CITY OF TULSA, OKLAHOMA
ENGINEERING SERVICES DEPARTMENT

DRAWN BY: S.R.W.
CHECKED BY:
DATE: OCTOBER 2013

APPROVED
[Signature]

NOT TO SCALE

STANDARD NO. 505