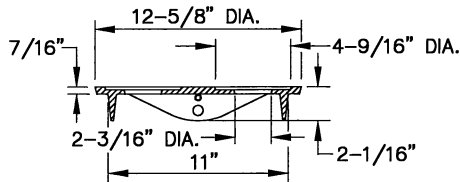
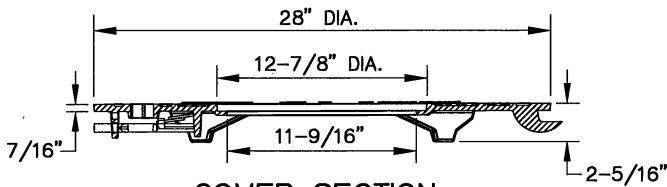


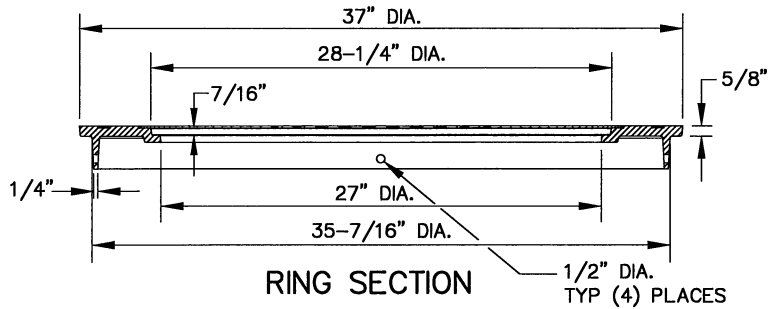
TOP VIEW



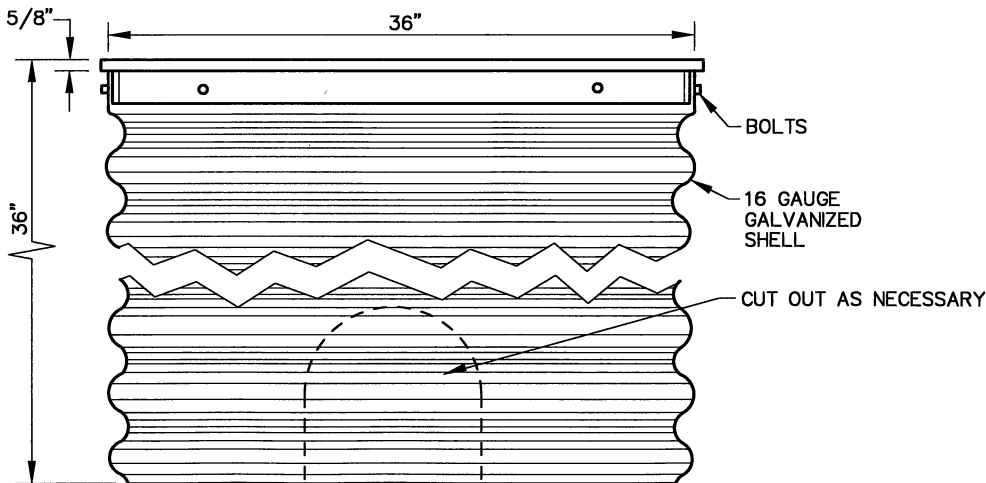
COVER SECTION



COVER SECTION



RING SECTION



METER CAN WITH RIM AND LID
FOR 2" WATER METER INSTALLATION

CITY OF TULSA, OKLAHOMA
ENGINEERING SERVICES DEPARTMENT

DRAWN BY: S.R.W.

CHECKED BY:

DATE: OCTOBER 2013

APPROVED

NOT TO SCALE

STANDARD NO.

507