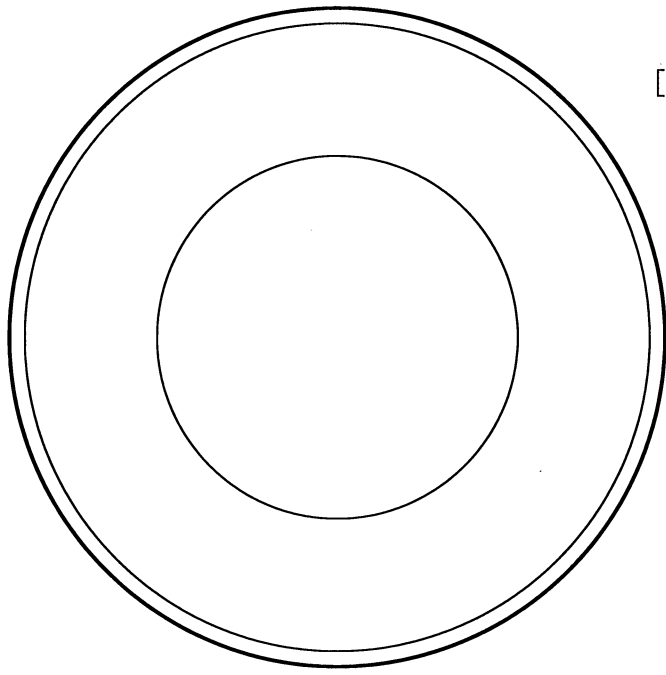
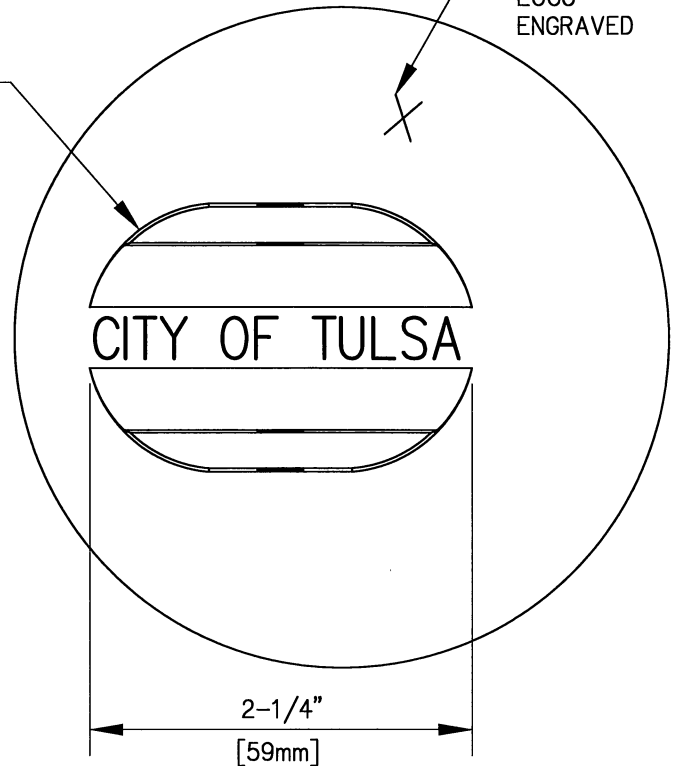


PATH NAME: /E1/PARTS/STD/DGN.STDS/508-OFFSET-PLUG.DGN LFM 05/25/2012



TOP VIEW

3/4"
[R21mm]

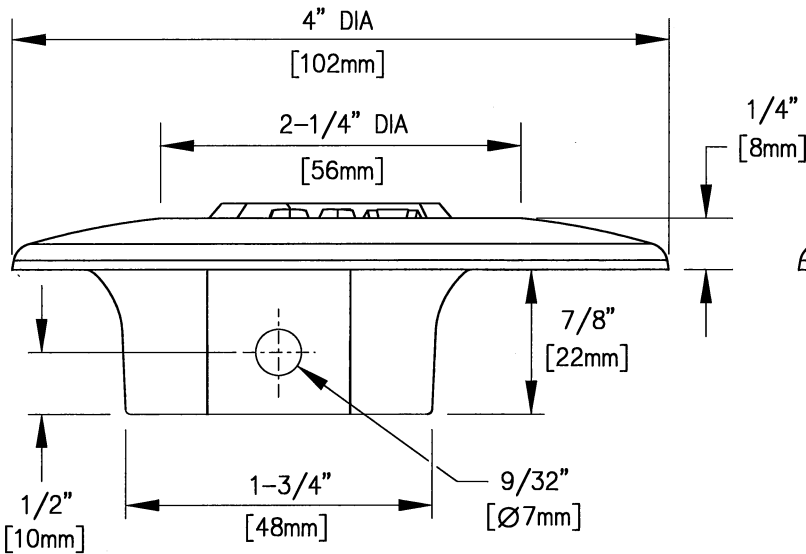


FOUNDRY
LOGO
ENGRAVED

CITY OF TULSA

2-1/4"
[59mm]

BOTTOM VIEW



4" DIA
[102mm]

2-1/4" DIA
[56mm]

1/4"
[8mm]

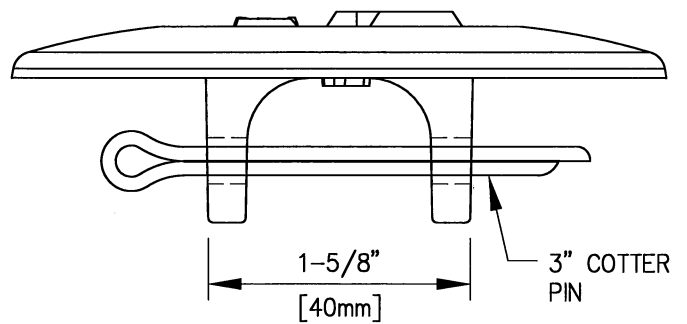
7/8"
[22mm]

1/2"
[10mm]

1-3/4"
[48mm]

9/32"
[Ø7mm]

SIDE VIEW



1-5/8"
[40mm]

3" COTTER
PIN

SIDE VIEW

OFFSET PLUG	
CITY OF TULSA, OKLAHOMA ENGINEERING SERVICES DEPARTMENT	
DRAWN BY: S.R.W.	APPROVED
CHECKED BY:	
DATE: OCTOBER 2013	
NOT TO SCALE	STANDARD NO. 508