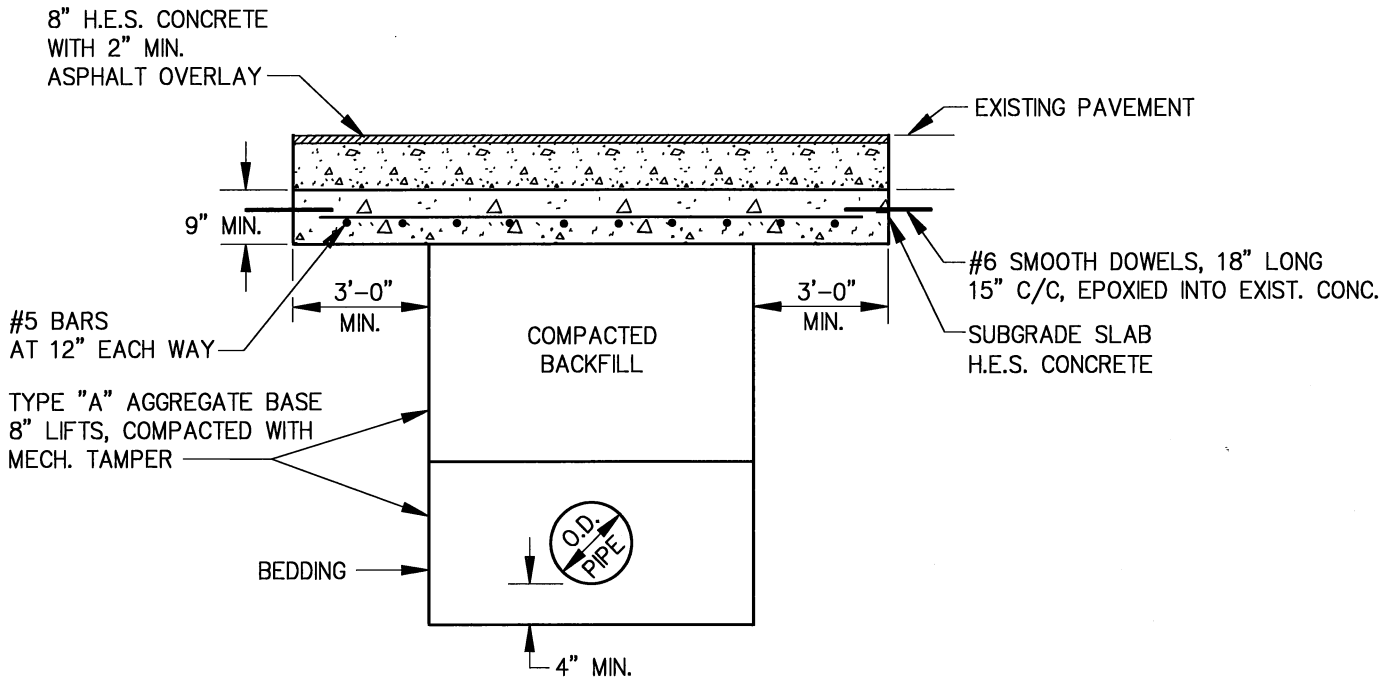


TYPICAL SECTION: CONCRETE PAVEMENT

PAY WIDTH = STANDARD TRENCH WIDTH + 6 FT.



TYPICAL SECTION: ASPHALT PAVEMENT

STANDARD DETAIL HWY-PVT-RPL
FOR STATE HIGHWAYS
THAT ARE ARTERIAL STREETS

CITY OF TULSA, OKLAHOMA
ENGINEERING SERVICES DEPARTMENT

DRAWN BY: S.R.W.

CHECKED BY:

DATE: OCTOBER 2013

APPROVED

NOT TO SCALE

STANDARD NO. 715