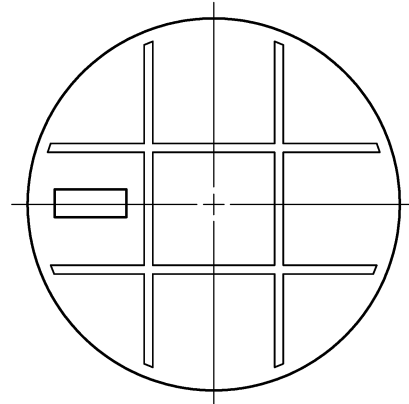
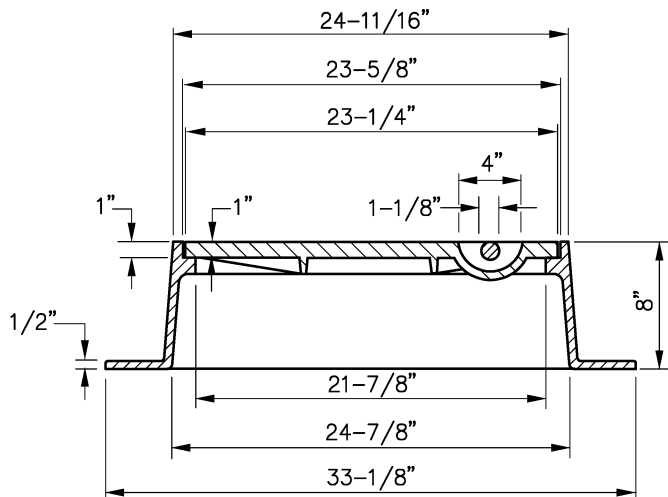


LID AND FRAME - TOP VIEW



LID - BOTTOM VIEW



LID AND FRAME

NOTE:

1. FURNISHED WITH MACHINED HORIZONTAL BEARING SURFACE.
2. BACK SIDE OF COVER READS:
MADE IN USA
AASHTO A48 35B
JULIAN HEAT DATE
3. BOTTOM REINFORCEMENT CONFIGURATION MAY VARY ACCORDING TO MANUFACTURER, HOWEVER, ALL LIDS AND FRAMES SHALL CONFORM TO AND BE TESTED IN ACCORDANCE WITH THE STANDARD SPECIFICATION FOR GRAY IRON CASTINGS, ASTM A48, AND DRAINAGE STRUCTURE CASTINGS, AASHTO DESIGNATION: M306-89.
4. ALL LIDS AND FRAME SHALL MEET THE PROOF LOAD TEST AS SPECIFIED IN AASHTO DESIGNATION M306-89, REPRESENTING A 2.5 SAFETY FACTOR OVER H-20 AND HS-20 LOADING.

| | |
|---|------------------|
| STANDARD DETAIL FRAME AND LID FOR 4' AND 5' I.D. STORMWATER MANHOLE | |
| CITY OF TULSA, OKLAHOMA ENGINEERING SERVICES DEPARTMENT | |
| DRAWN BY: S.R.W. | APPROVED |
| CHECKED BY: | |
| DATE: OCTOBER 2013 | |
| NOT TO SCALE | STANDARD NO. 753 |