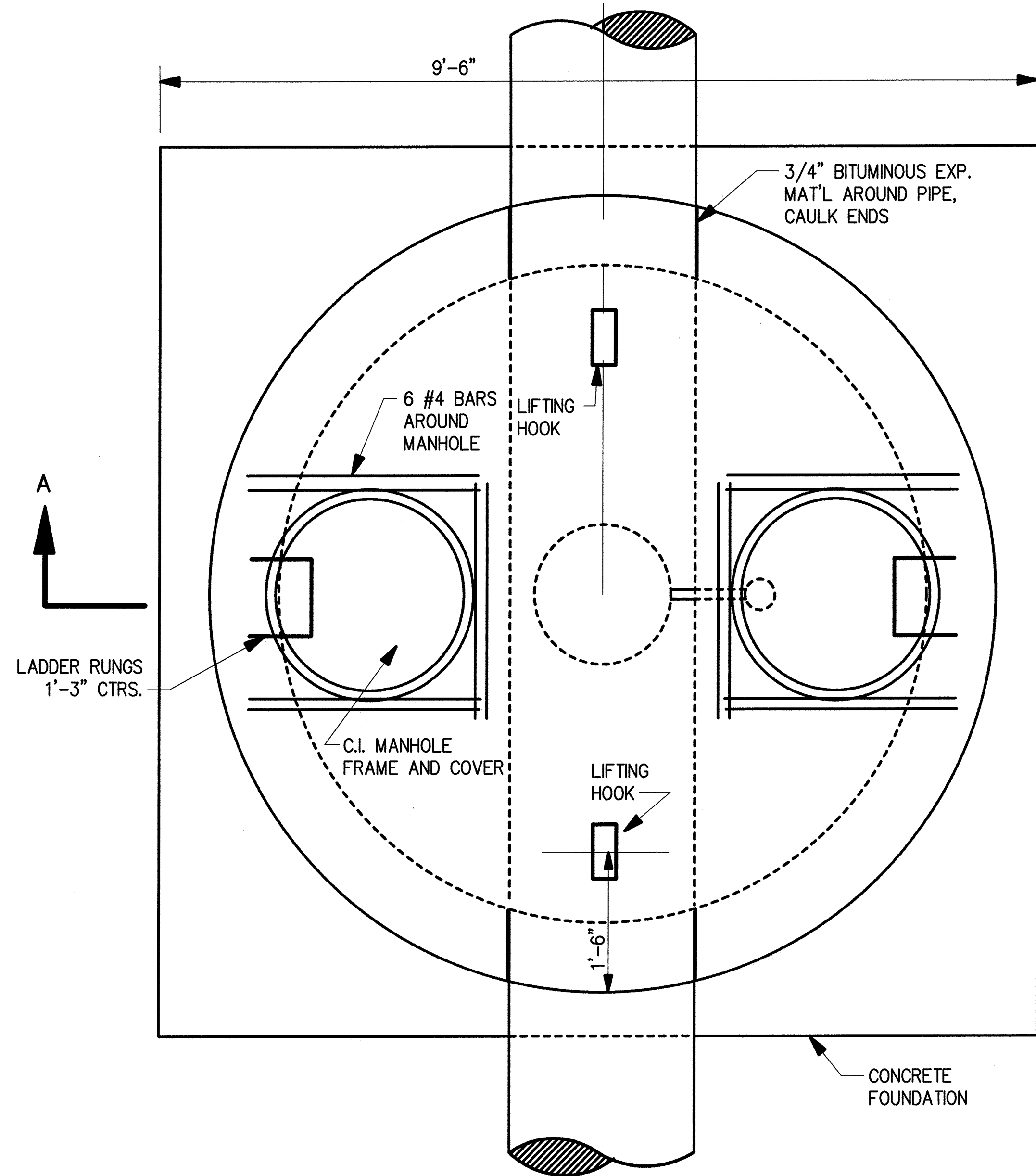


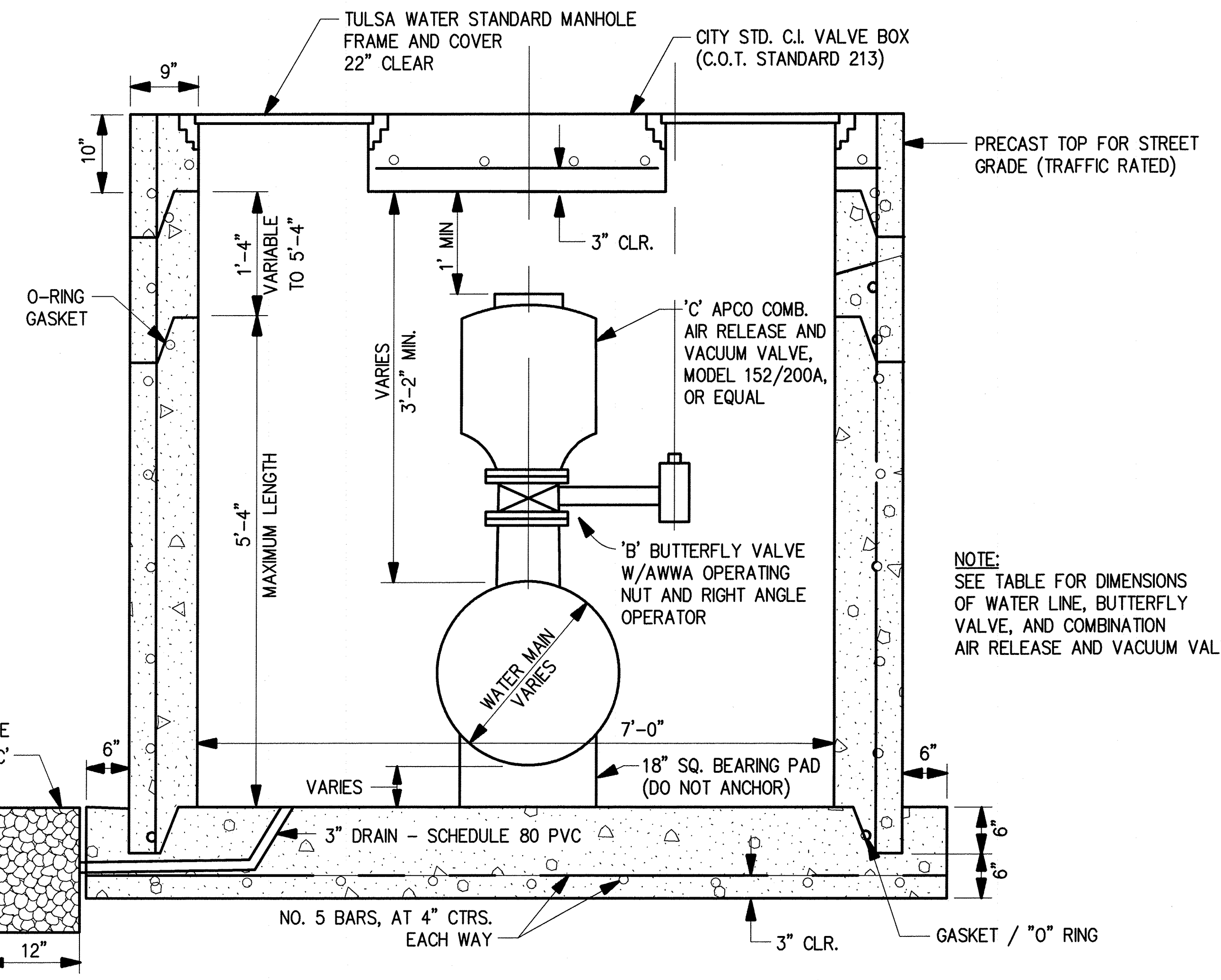
PATH NAME: E:\PARTS\STD\DONL\STDS\328-4IN-AIR-VALVE-24IN-MANHOLE LFM 05/08/2012



PLAN

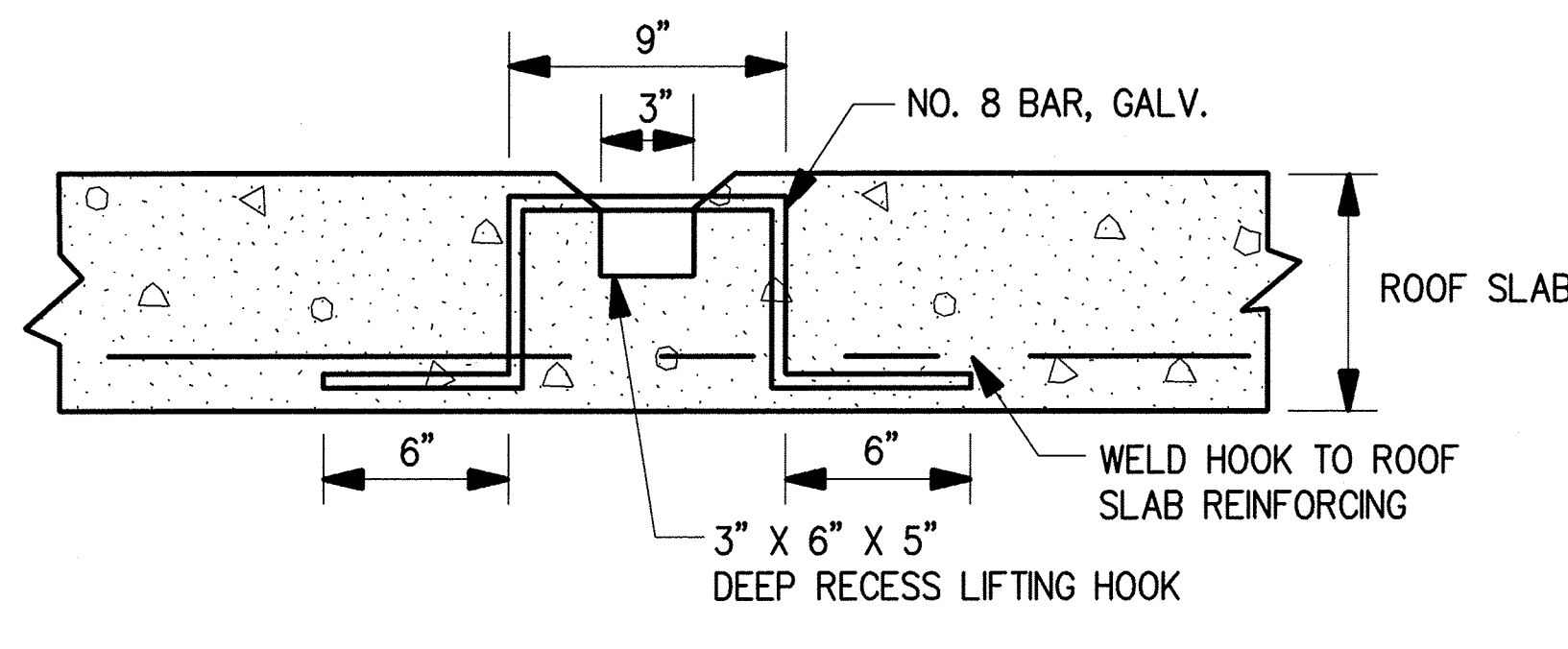
WATER MAIN	BUTTERFLY VALVE	AIR RELEASE AND VACUUM VALVE
'A'	'B'	'C'
16"	4"	4"
24"	4"	4"
30"	4"	4"
36"	4"	4"
36"	8"	8"
48"	8"	8"

IF PRECAST VAULT IS FURNISHED, NOTICE SHALL BE GIVEN TO THE ENGINEER 48 HRS. IN ADVANCE SO THAT A REPRESENTATIVE MAY WITNESS THE POURING OF THE VAULT FLOOR AND INSPECT THE MATERIALS. A REPORT SHALL BE FURNISHED ON THE 7TH DAY AND 28TH DAY STRENGTH OF CONCRETE. REINFORCING STEEL SHALL BE GR. 60.



TRAFFIC RATED PRECAST AIR VALVE VAULT SECTION A-A

NOTE: PRECAST VALVE VAULT SECTIONS SHALL CONFORM TO ANSI/ASTM C478 CONCRETE 4,000 PSI (MIN.) ALL REINFORCING STEEL SHALL BE SHOP FABRICATED



LIFTING HOOK DETAIL

REVISION	BY	DATE

[Signature]
CITY ENGINEER

[Signature]
DESIGN MANAGER

CITY OF TULSA, OKLAHOMA
ENGINEERING SERVICES DEPARTMENT

STANDARD 4", 6", AND 8" AIR VALVE ASSEMBLY ON 16" THRU 48" MAIN

DATE: OCTOBER 2013

STD. 328