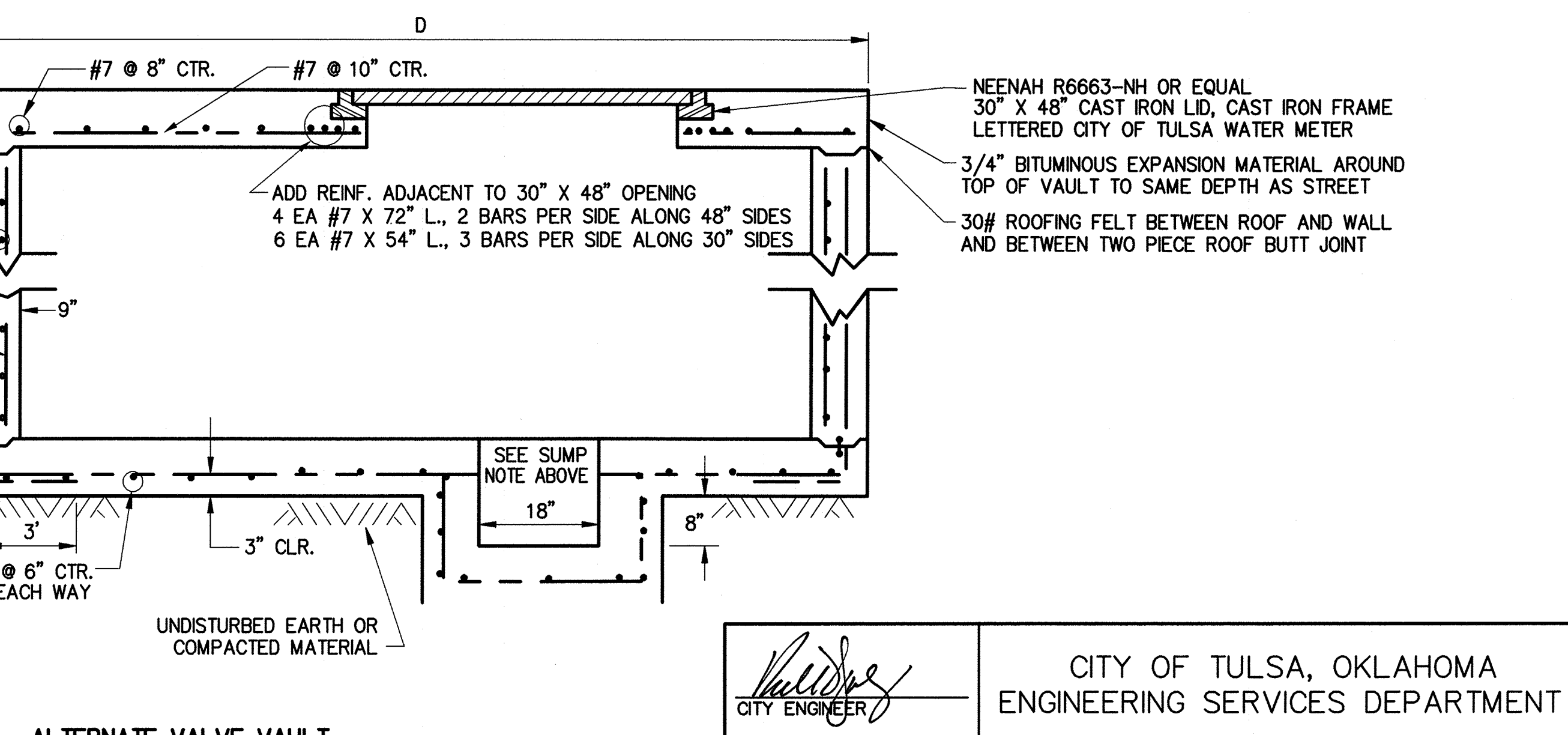
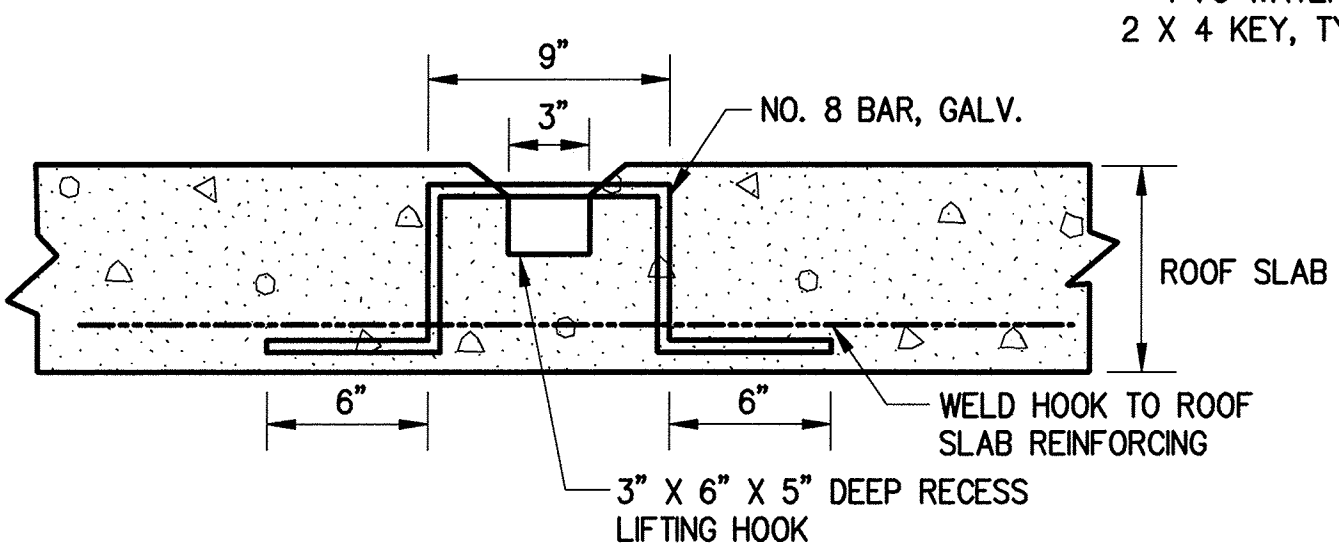
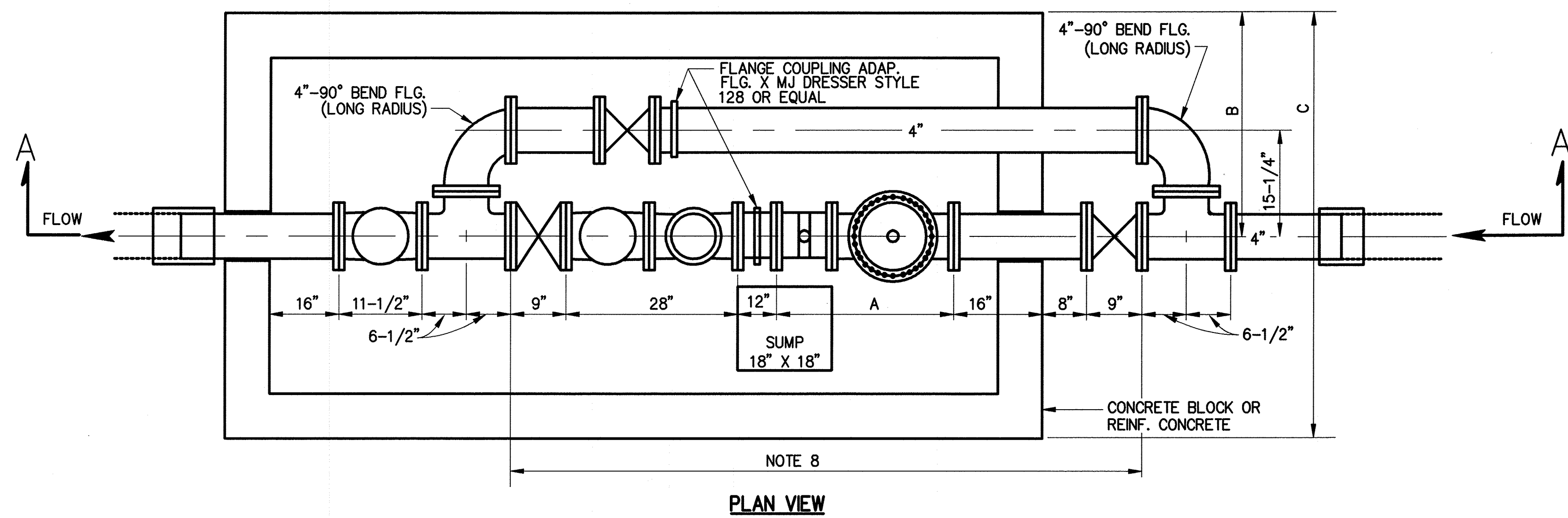


- NOTES:**
- IT SHALL BE THE RESPONSIBILITY OF THE CONTRACTOR TO FURNISH FITTINGS COMPATIBLE WITH THE TYPE OF PIPE FURNISHED.
 - WHERE COMPOUND METER IS FURNISHED WITH A TEST PLUG, IT WILL NOT BE NECESSARY TO INSTALL A TEST TEE. MATERIAL SUBMITTALS SHALL INDICATE THE PRESENCE OF A TEST PLUG.
 - BOLTS AND NUTS SHALL CONFORM TO ASTM A-307 GR. B, AND ASTM A-563 GR. A RESPECTIVELY. STRUCTURAL STEEL SHALL BE ASTM A-36
 - BYPASS VALVE SHALL BE SEALED SHUT BY CITY OF TULSA USING A WATER METER SEAL WIRE.
 - TEST TEE SHALL CONSIST OF 1-4\"/>

- THE PRESSURE SUSTAINING VALVE SHALL BE A 4-INCH CLA-VAL, MODEL 50-01, CLASS 125, OR EQUAL. THE PRESSURE SUSTAINING VALVE SHALL BE FACTORY SET AND CERTIFIED AT 45 PSI. THE CONTRACTOR SHALL MEET WITH THE PRESSURE SUSTAINING VALVE MANUFACTURER REPRESENTATIVE ON THE JOB SITE TO MAKE FINAL ADJUSTMENTS ON THE PRESSURE SUSTAINING VALVE AT STARTUP. COST SHALL BE INCLUDED IN COST OF PRESSURE SUSTAINING VALVE. NO ADDITIONAL PAYMENT SHALL BE MADE.
 - CHAMFER EXPOSED CORNERS. EDGE AROUND OPENINGS IN TOP.
 - BEARING PADS HAVE NO REBAR
 - NEW FLANGED PRESSURE SUSTAINING VALVES SHALL HAVE A VALVE OPERATING RANGE OF 30 - 300 PSI, TEMPERATURE RANGE TO 180 DEGREES F, SEPARATE OPENING AND CLOSING SPEED CONTROL AND SHALL ALSO CARRY THE FOLLOWING ADDITIONAL FEATURES. CLA VAL AND OCV DESIGNATORS FOR THE ADDITIONAL FEATURES FOLLOWS:
- | | CLA | OCV |
|--|------|--------------|
| CAST IRON BODY WITH STAINLESS STEEL TRIM | CS | CIST |
| VALVE POSITION INDICATOR | XIOI | W/ INDICATOR |
| EXTERNAL AND INTERNAL EPOXY COATING | KC | STANDARD |
| STAINLESS STEEL SLEEVE STEM | KG | STANDARD |
- VAULT ASSEMBLY SHALL INCLUDE ALL MATERIALS AND LABOR FOR AN INSTALLED AUTOMATED METER READING (AMR) DEVICE PER CONSTRUCTION SPECIFICATIONS DIVISION V. AMR DEVICE SHALL INCLUDE MIU ANTENNA PENETRATING THRU HATCH, MIU, POTTED REGISTER, REQUIRED CABLE, AND GEL-CAP (IF REQUIRED). AMR INSTALLATION SHALL BE APPROVED AND TESTED BY ENGINEER OR ENGINEER'S DESIGNEE.



METER	A	B	C	D	REMARKS
4\"/>					

NOTE: IN SIDEWALKS, COVER HOOK OPENING WITH A STEEL PLATE. SECURE WITH SCREWS AND EXPANSION SLEEVE ANCHORS.

ALTERNATE VALVE VAULT FOR TRAFFIC LOADS REINFORCED CONCRETE

REVISION	BY	DATE

[Signature]
CITY ENGINEER

[Signature]
DESIGN MANAGER

CITY OF TULSA, OKLAHOMA
ENGINEERING SERVICES DEPARTMENT

4\"/>

PATH NAME: /E1/PARTS/STD/DGN/STD/528-4IN-METER-PSV.DGN LFM 05/08/2012