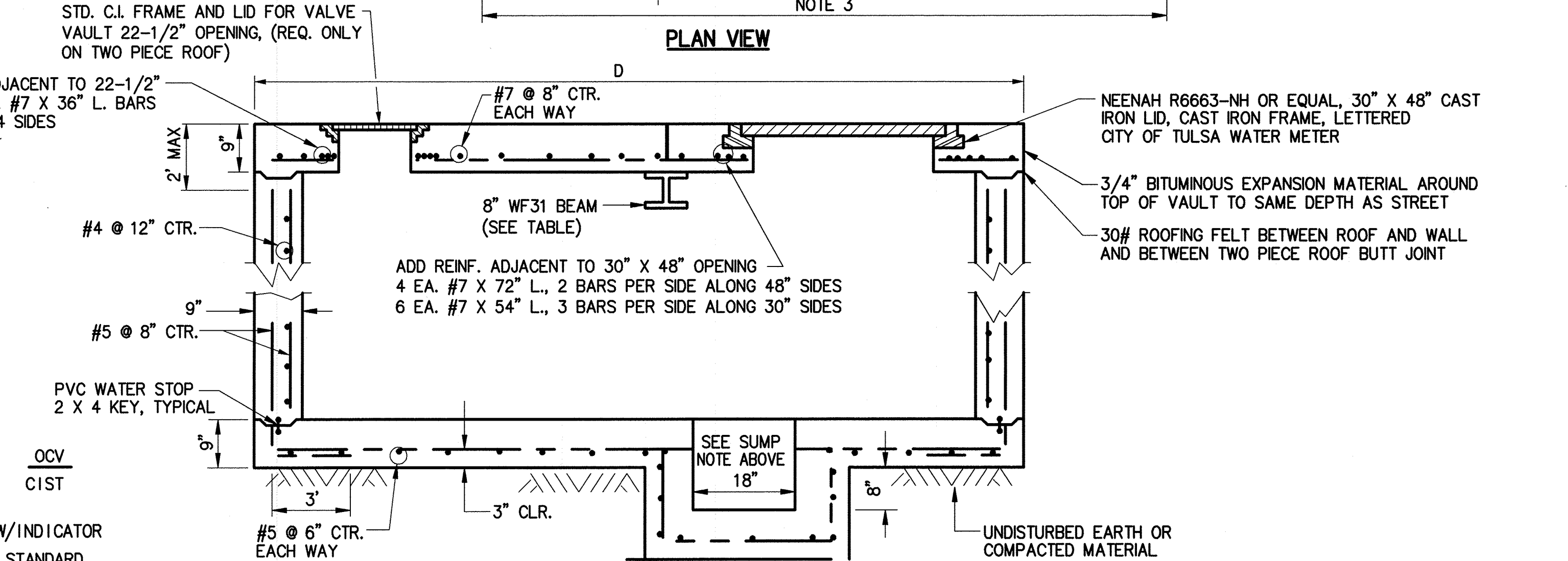
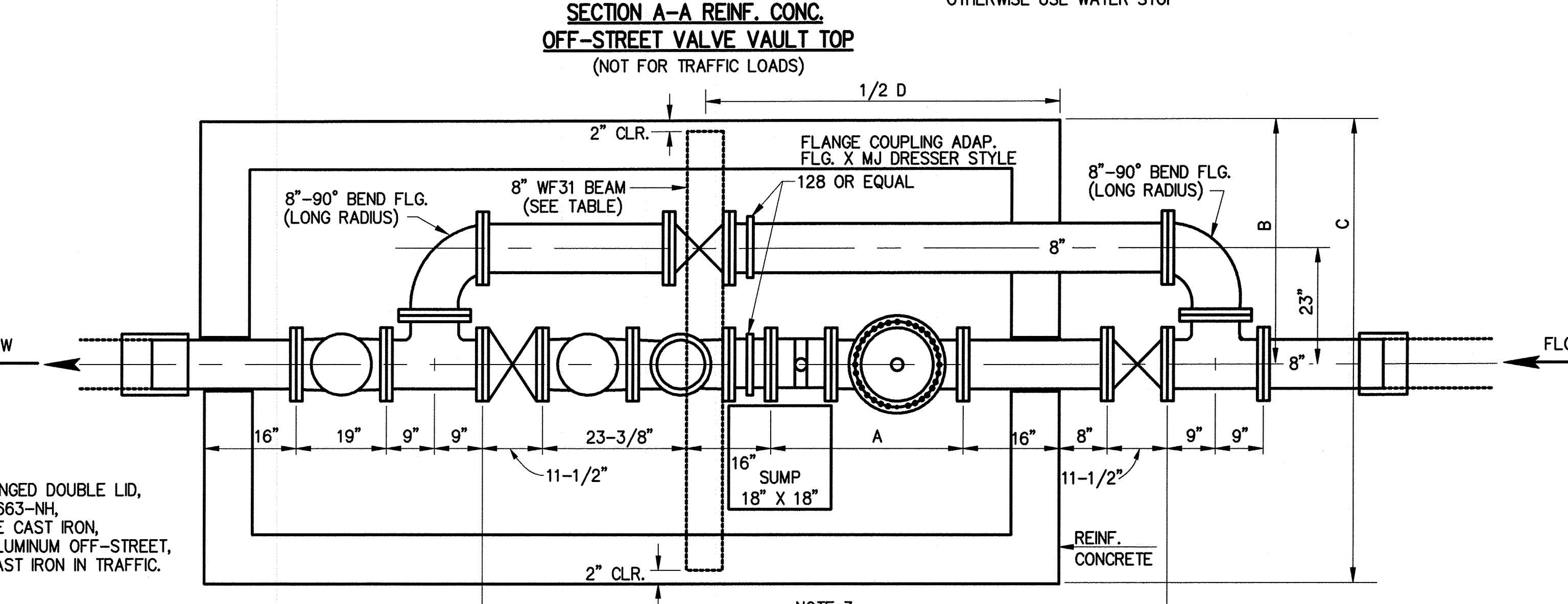
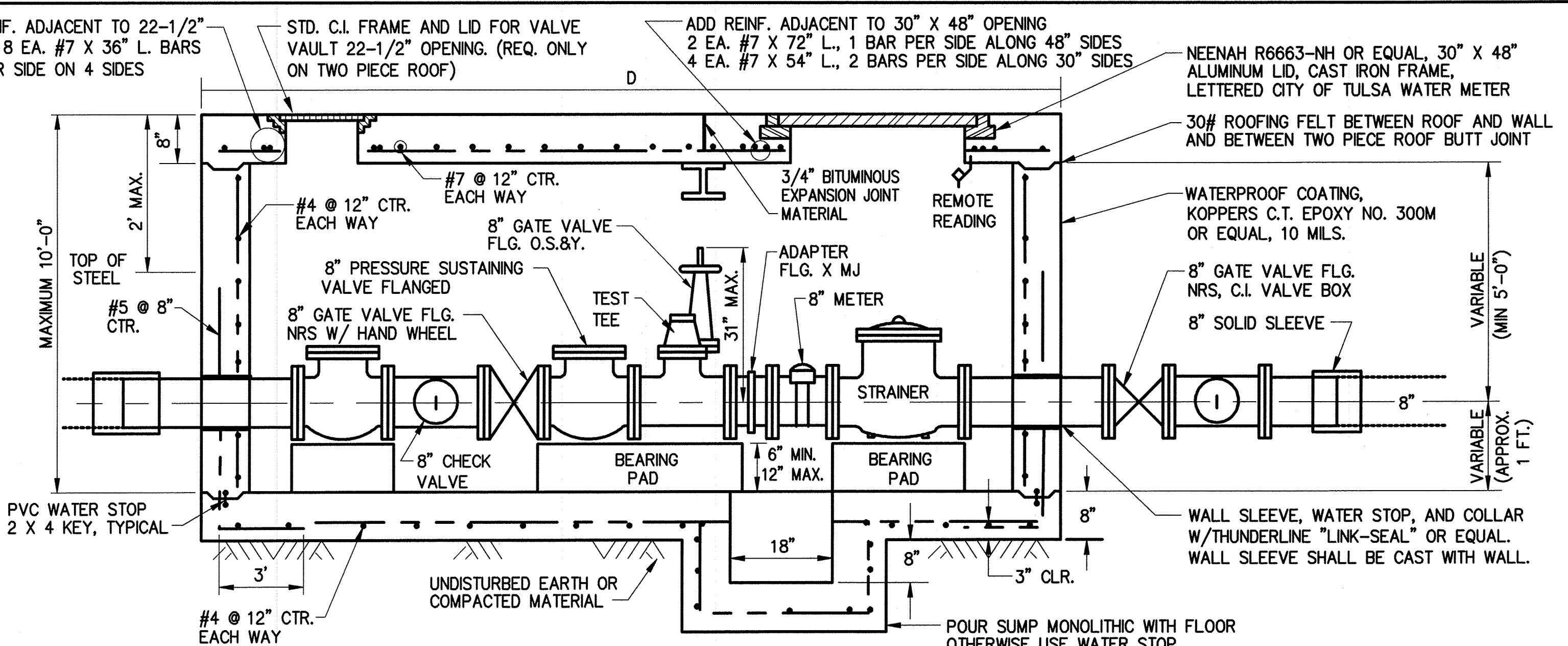
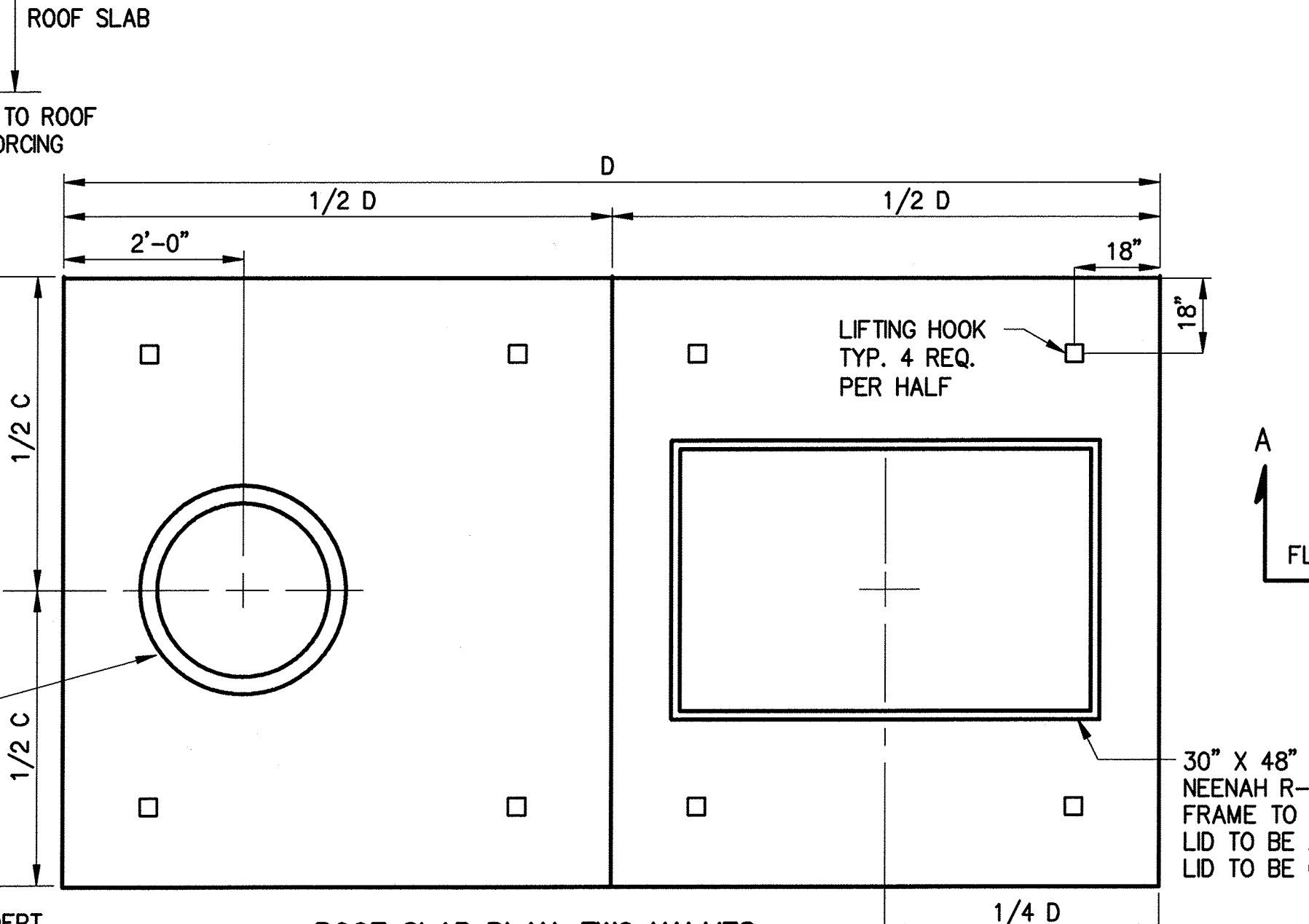
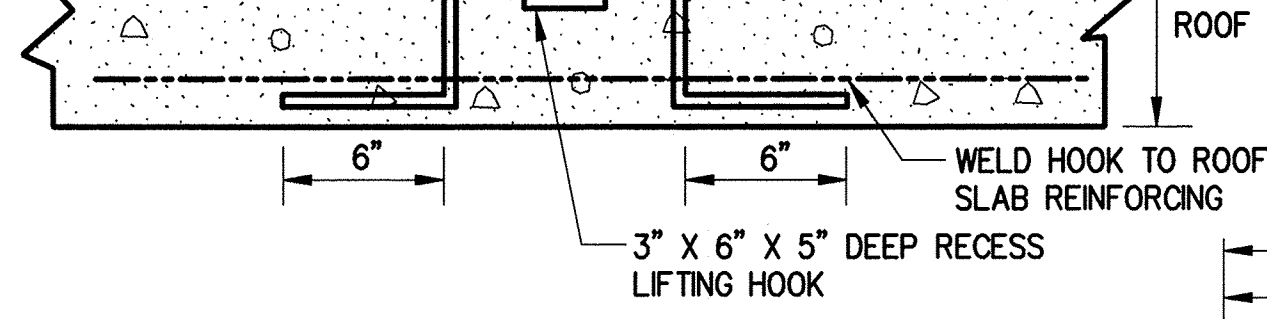
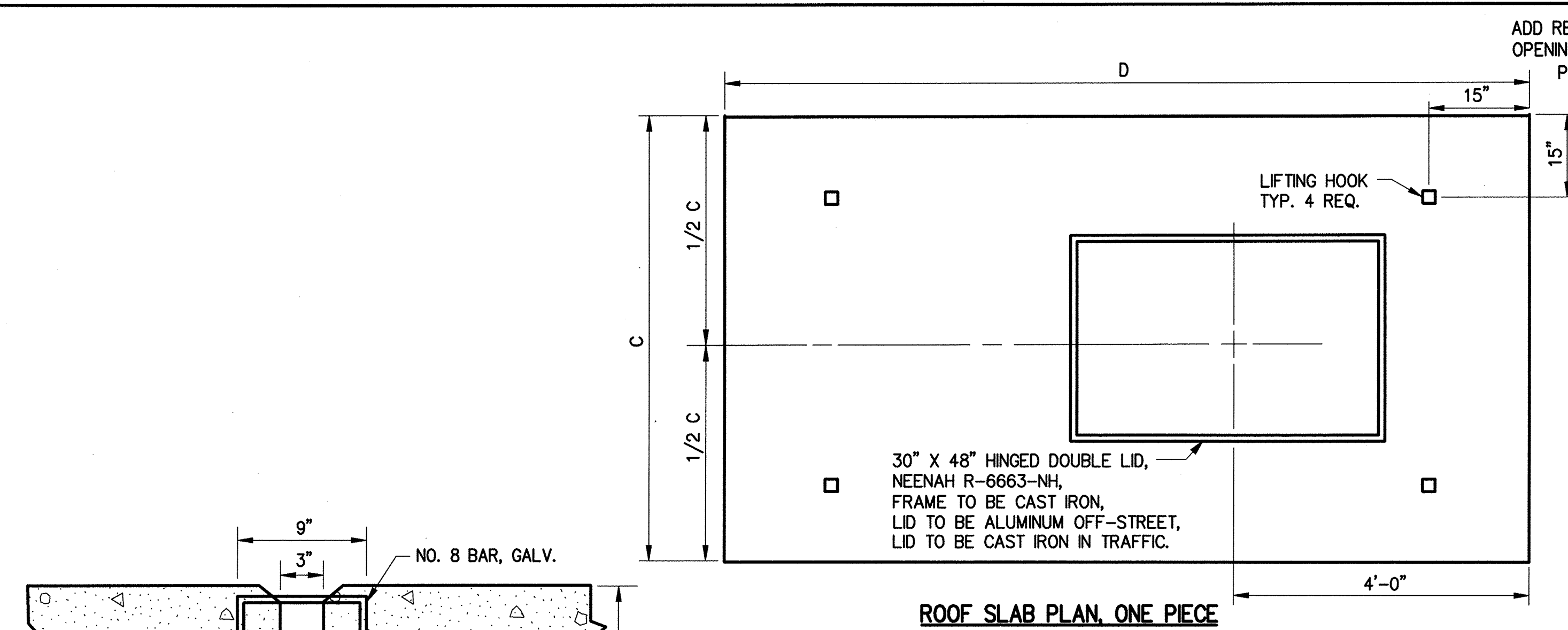


PATH NAME: /E1/PARTS/STD/DGN/STD/532-8N-METER-PSV.DGN LFM 05/16/2012



NOTE: IN SIDEWALKS, COVER HOOK OPENING WITH A STEEL PLATE. SECURE WITH SCREWS AND EXPANSION SLEEVE ANCHORS.

- NOTE:
1. NOTICE SHALL BE GIVEN TO THE ENGINEERING SERVICES DEPT. 48 HOURS IN ADVANCE SO THAT A REPRESENTATIVE OF THE DEPT. MAY WITNESS THE POURING OF THE VAULT AND INSPECT THE MATERIALS. A REPORT SHALL BE FURNISHED ON THE 7 DAY AND 28 DAY STRENGTH OF THE CONCRETE WHICH SHALL BE AT LEAST 4000 PSI. REINFORCING STEEL SHALL BE GR. 60.
 2. WHERE RESTRAINED JOINTS ARE REQUIRED, THEY SHALL BE EBBA MEGALUG SERIES 1100 OR EQUAL.
 3. METER AND FITTINGS FROM VALVE TO VALVE SHALL BE ASSEMBLED IN A SHOP ENVIRONMENT APPROVED BY A REPRESENTATIVE OF ENGINEERING SERVICES DEPT. METER AND FITTINGS SHALL BE DELIVERED TO THE JOB SITE WITH THE VALVES CLOSED IN ORDER TO PROTECT THE METER, STRAINER AND PRESSURE SUSTAINING VALVE.
 4. USE DUCTILE IRON PIPING AND DI/CI FITTINGS FROM THE MAIN LINE TAPPING SLEEVE TO DOWNSTREAM FROM THE METER CHECK VALVE AT THE CONNECTING SLEEVE. PIPE SHALL BE WRAPPED WITH POLYETHYLENE FILM AND TAPED.
 5. IT SHALL BE THE RESPONSIBILITY OF THE CONTRACTOR TO FURNISH FITTINGS COMPATIBLE WITH THE TYPE OF PIPE FURNISHED.
 6. BOLTS AND NUTS SHALL CONFORM TO ASTM A-307 GR. B, AND ASTM A-563 GR. A RESPECTIVELY. STRUCTURAL STEEL SHALL BE ASTM A-36

7. BYPASS VALVE SHALL BE SEALED SHUT BY CITY OF TULSA USING A WATER METER SEAL WIRE.
8. TEST TEE SHALL CONSIST OF 1 - 8" X 8" X 6" TEE, FLG. 1 - 6" X 4" SWEDGE NIPPLE FLG. ON END, 4" END THREADED WITH SCREW CAP
9. THE PRESSURE SUSTAINING VALVE SHALL BE AN 8-INCH CLA-VAL, MODEL 50-01, CLASS 125, OR EQUAL. THE PRESSURE SUSTAINING VALVE SHALL BE FACTORY SET AND CERTIFIED AT 45 PSI. THE CONTRACTOR SHALL MEET WITH THE PRESSURE SUSTAINING VALVE MANUFACTURER REPRESENTATIVE ON THE JOB SITE TO MAKE FINAL ADJUSTMENTS ON THE PRESSURE SUSTAINING VALVE AT STARTUP. COST SHALL BE INCLUDED IN COST OF PRESSURE SUSTAINING VALVE. NO ADDITIONAL PAYMENT SHALL BE MADE.
10. NEW FLANGED PRESSURE SUSTAINING VALVES SHALL HAVE A VALVE OPERATING RANGE OF 30 - 300 PSI, TEMPERATURE RANGE TO 180 DEGREES F, SEPARATE OPENING AND CLOSING SPEED CONTROL AND SHALL ALSO CARRY THE FOLLOWING ADDITIONAL FEATURES. CLA VAL AND OCV DESIGNATORS FOR THE ADDITIONAL FEATURES FOLLOWS:

	CLA	OCV
CAST IRON BODY WITH STAINLESS STEEL TRIM	CS	CIST
VALVE POSITION INDICATOR	X101	W/INDICATOR
EXTERNAL AND INTERNAL EPOXY COATING	KC	STANDARD
STAINLESS STEEL SLEEVE STEM	KG	STANDARD

11. CHAMFER EXPOSED CORNERS. EDGE AROUND OPENINGS IN TOP.
12. BEARING PADS HAVE NO REBAR.
13. VAULT ASSEMBLY SHALL INCLUDE ALL MATERIALS AND LABOR FOR AN INSTALLED AUTOMATED METER READING (AMR) DEVICE PER CONSTRUCTION SPECIFICATIONS DIVISION V. AMR DEVICE SHALL INCLUDE MIJ ANTENNA PENETRATING THRU HATCH, MIJ, POTTED REGISTER, REQUIRED CABLE, AND GEL-CAP (IF REQUIRED). AMR INSTALLATION SHALL BE APPROVED AND TESTED BY ENGINEER OR ENGINEER'S DESIGNEE.

METER	A	B	C	D	REMARKS
8" TURBINE METER	30"	4'-2"	6'-9"	14'-2"	VAULT COVER 1/PIECE
8" TURBINE METER FIRE SERVICE	51-5/16"	4'-2"	6'-9"	15'-11"	VAULT COVER 2/HALVES W/4 HOOKS EA. 8" WF 31 BEAM
8" NEPTUNE PROTECTUS III FIRE FLOW METER W/ STRAINER (FS)	53"	4'-2"	7'-4"	16'-0"	W/FIRE SERVICE TURBINE AND VAULT COVER IN 2/HALVES
8" INVENSYS FIRELINE T.M.	77"	4'-2"	7'-4"	18'-2"	W/4 LIFTING HOOKS EA. 8" WF31 BEAM

REVISION	BY	DATE

CITY OF TULSA, OKLAHOMA
ENGINEERING SERVICES DEPARTMENT

8" METER WITH PRESSURE SUSTAINING VALVE ASSEMBLY AND VAULT

DATE: OCTOBER 2013 STD. 532