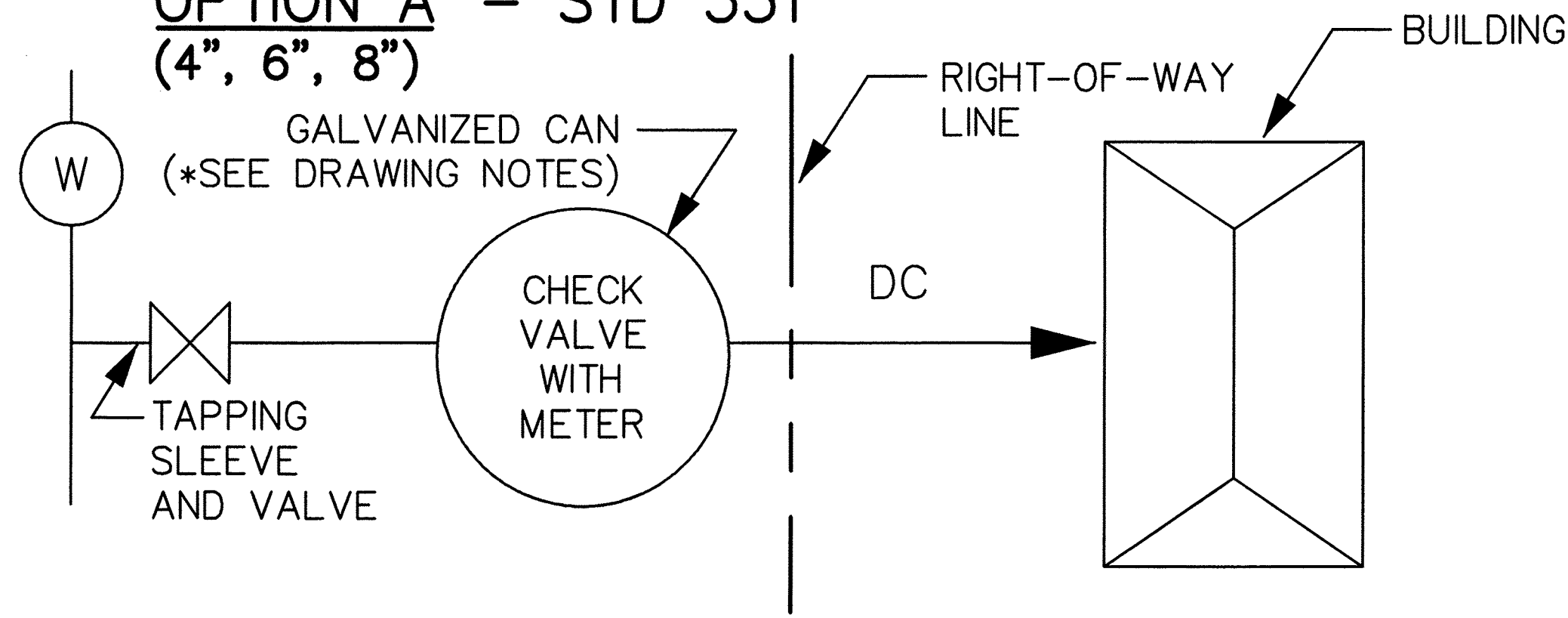
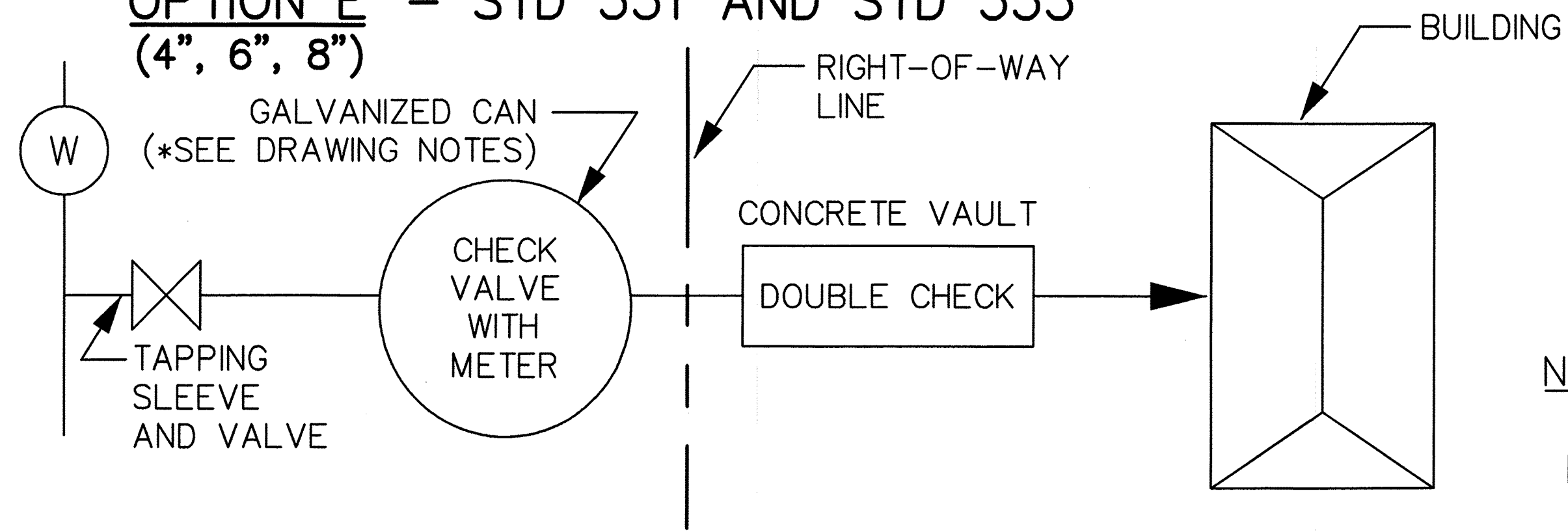


PATH NAME: /E1/PARTS/STDS/DGN_STDS/550-BACKFLOW-INDEX.DGN LFM 05/23/2012

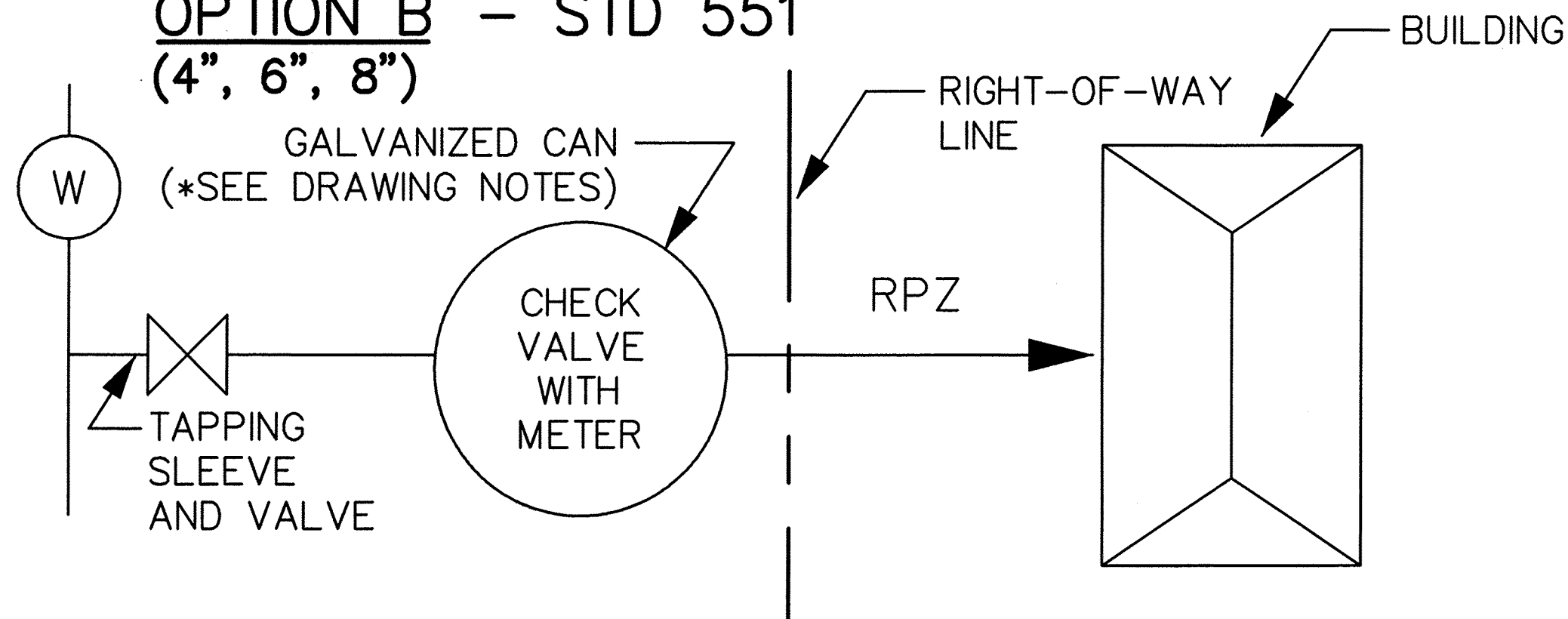
OPTION A - STD 551
(4", 6", 8")



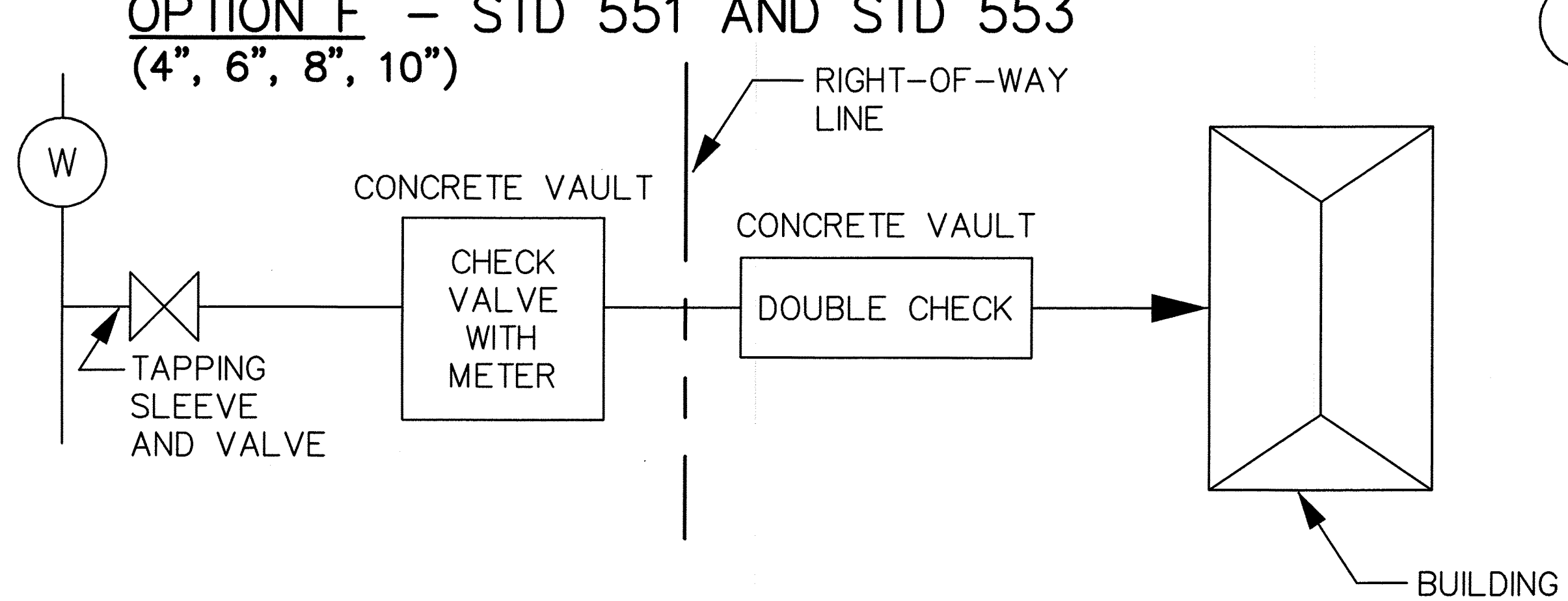
OPTION E - STD 551 AND STD 553
(4", 6", 8")



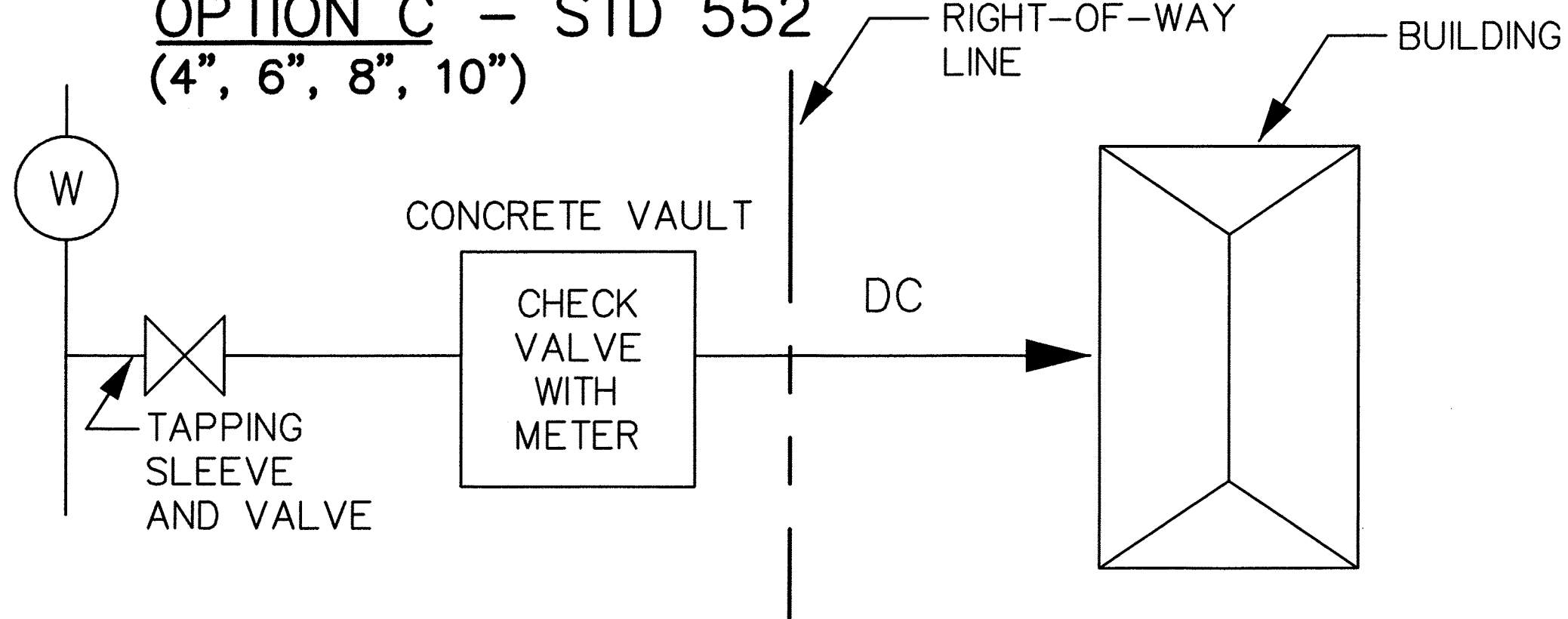
OPTION B - STD 551
(4", 6", 8")



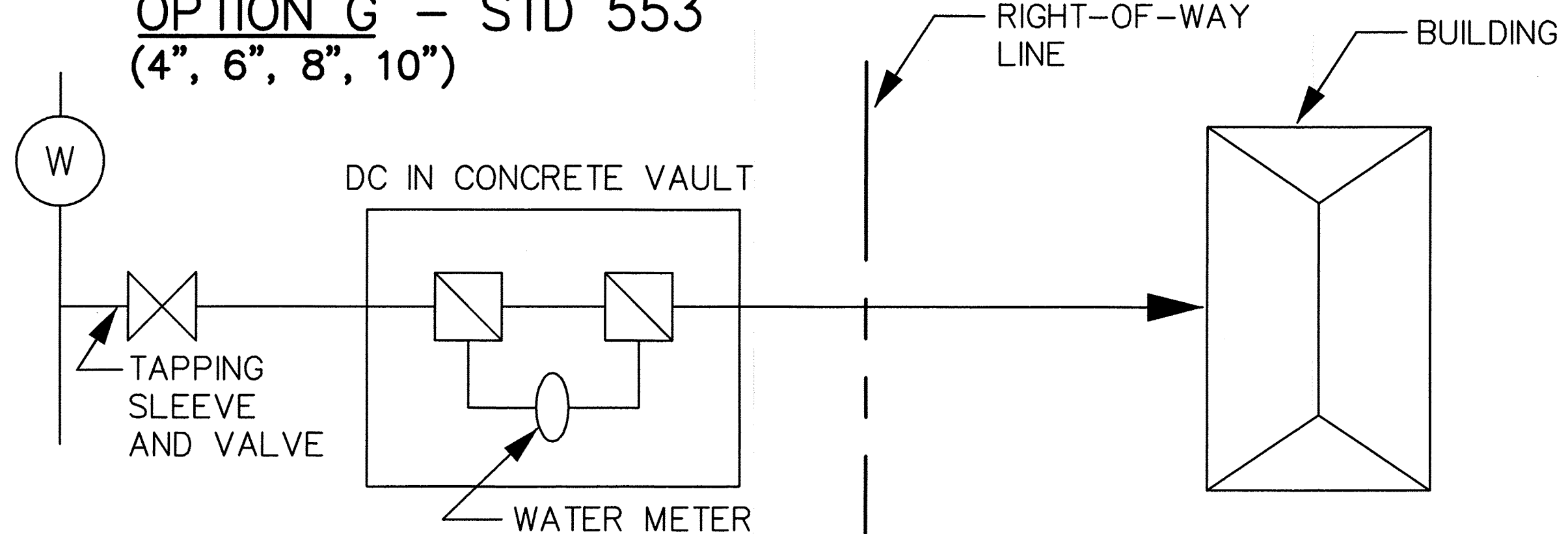
OPTION F - STD 551 AND STD 553
(4", 6", 8", 10")



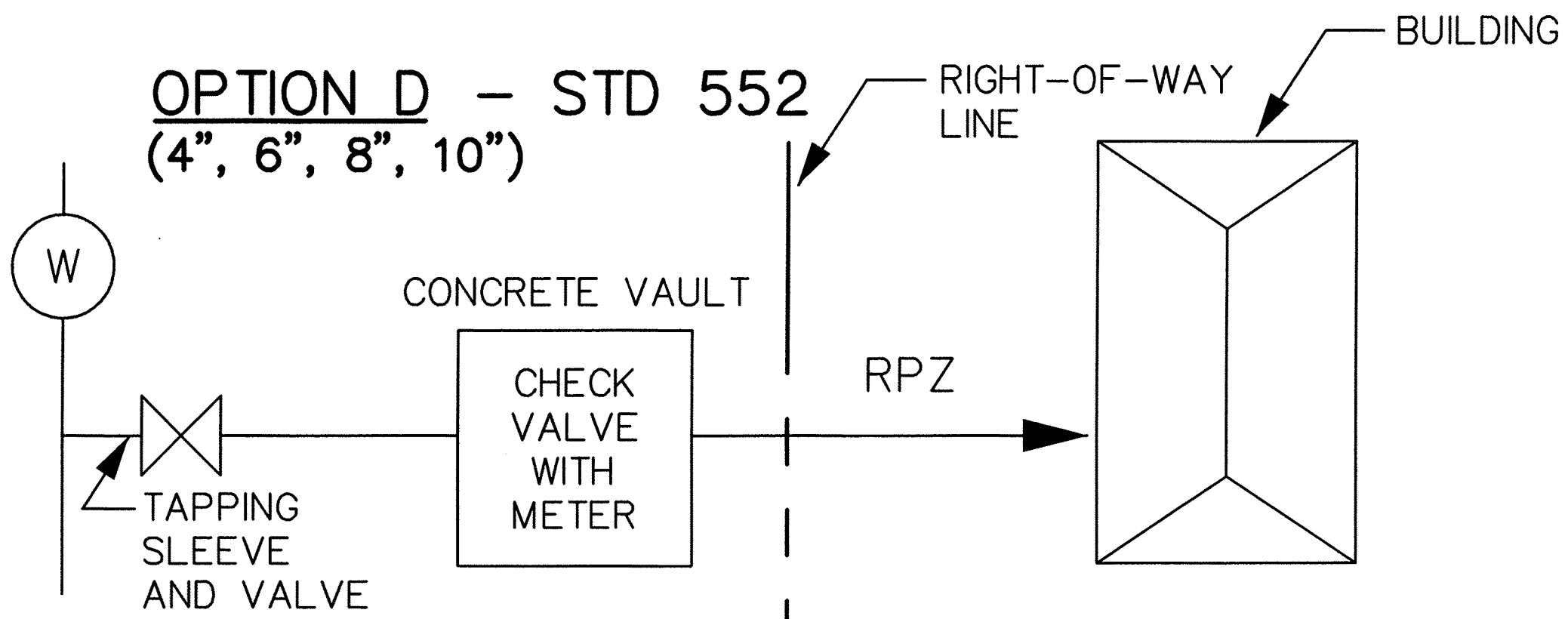
OPTION C - STD 552
(4", 6", 8", 10")



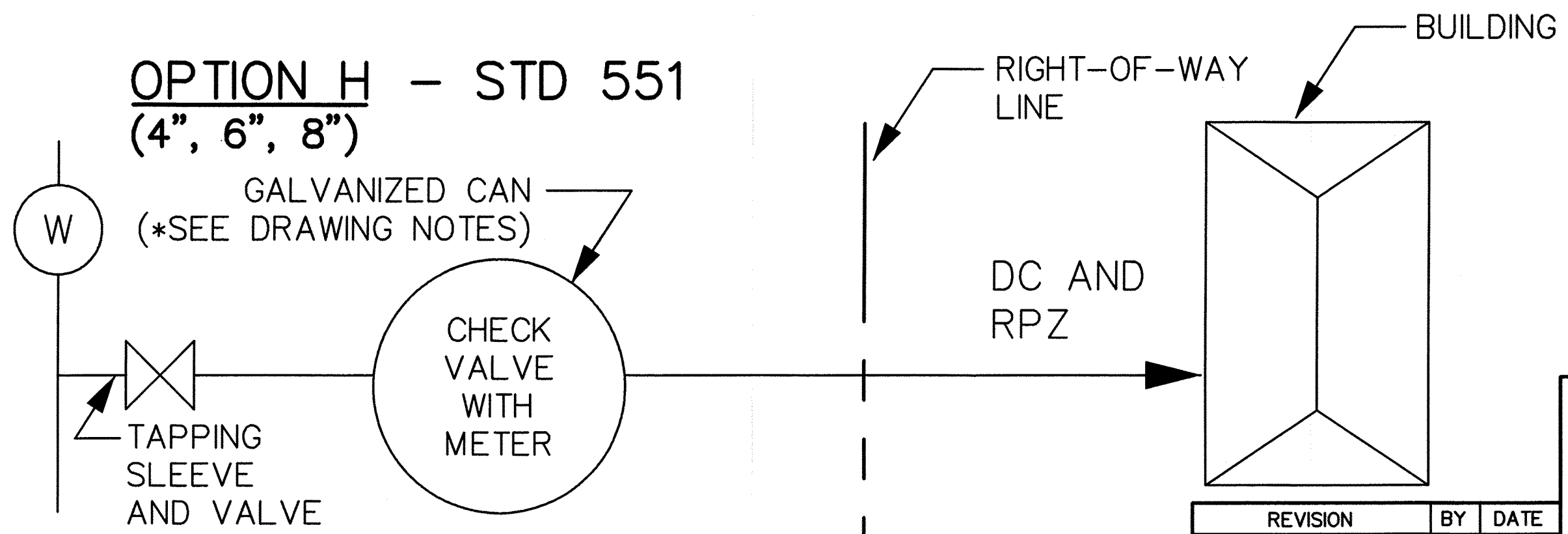
OPTION G - STD 553
(4", 6", 8", 10")



OPTION D - STD 552
(4", 6", 8", 10")



OPTION H - STD 551
(4", 6", 8")



NOTE:

DC - DOUBLE CHECK

RPZ - REDUCED PRESSURE ZONE

(W) - PUBLIC WATER MAIN

* - OPTION A, B, E, AND H DO NOT MEET H-20 TRAFFIC LOADING; USE IN GREEN AREAS ONLY.

REVISION	BY	DATE

[Signature]
CITY ENGINEER

[Signature]
DESIGN MANAGER

CITY OF TULSA, OKLAHOMA
ENGINEERING SERVICES DEPARTMENT

BACKFLOW PREVENTION OPTIONS INDEX

DATE: OCTOBER 2013

STD. 550