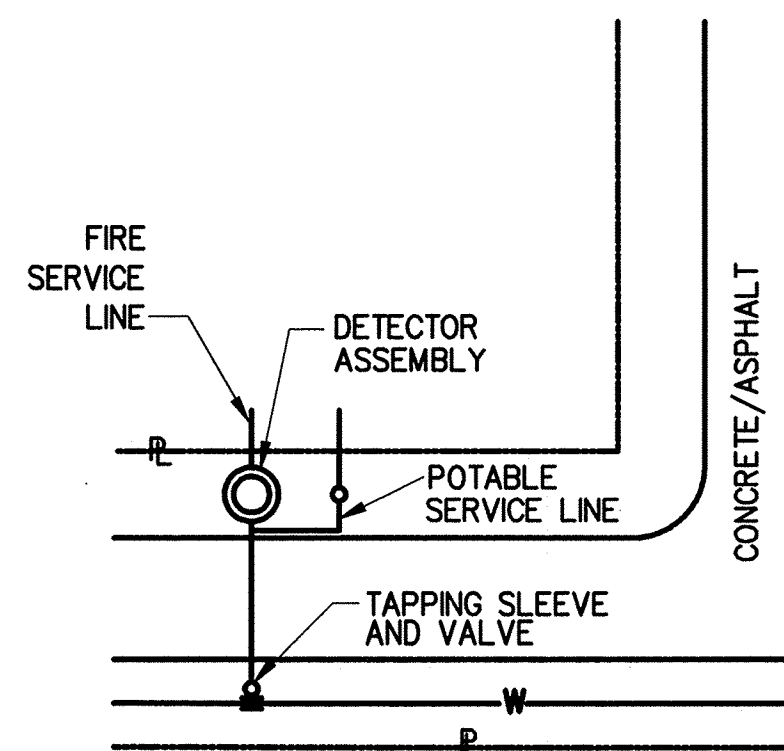
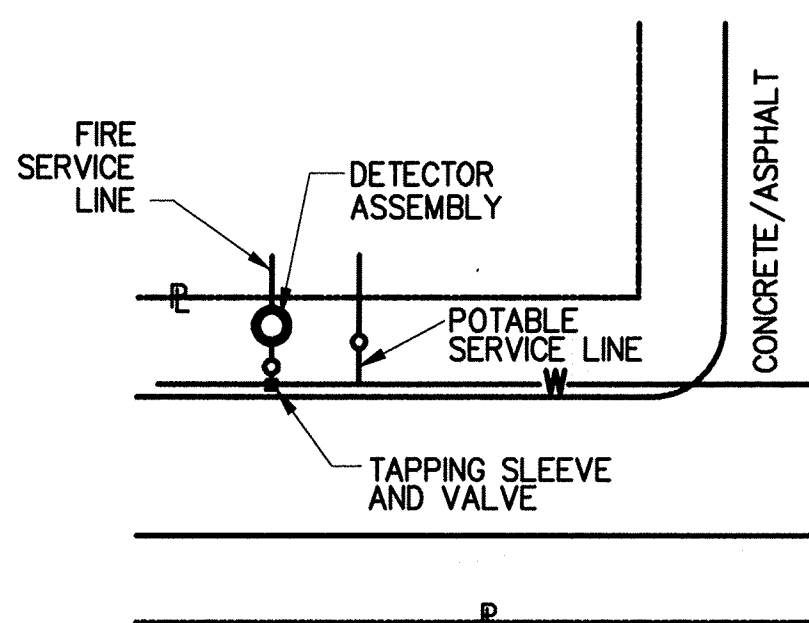


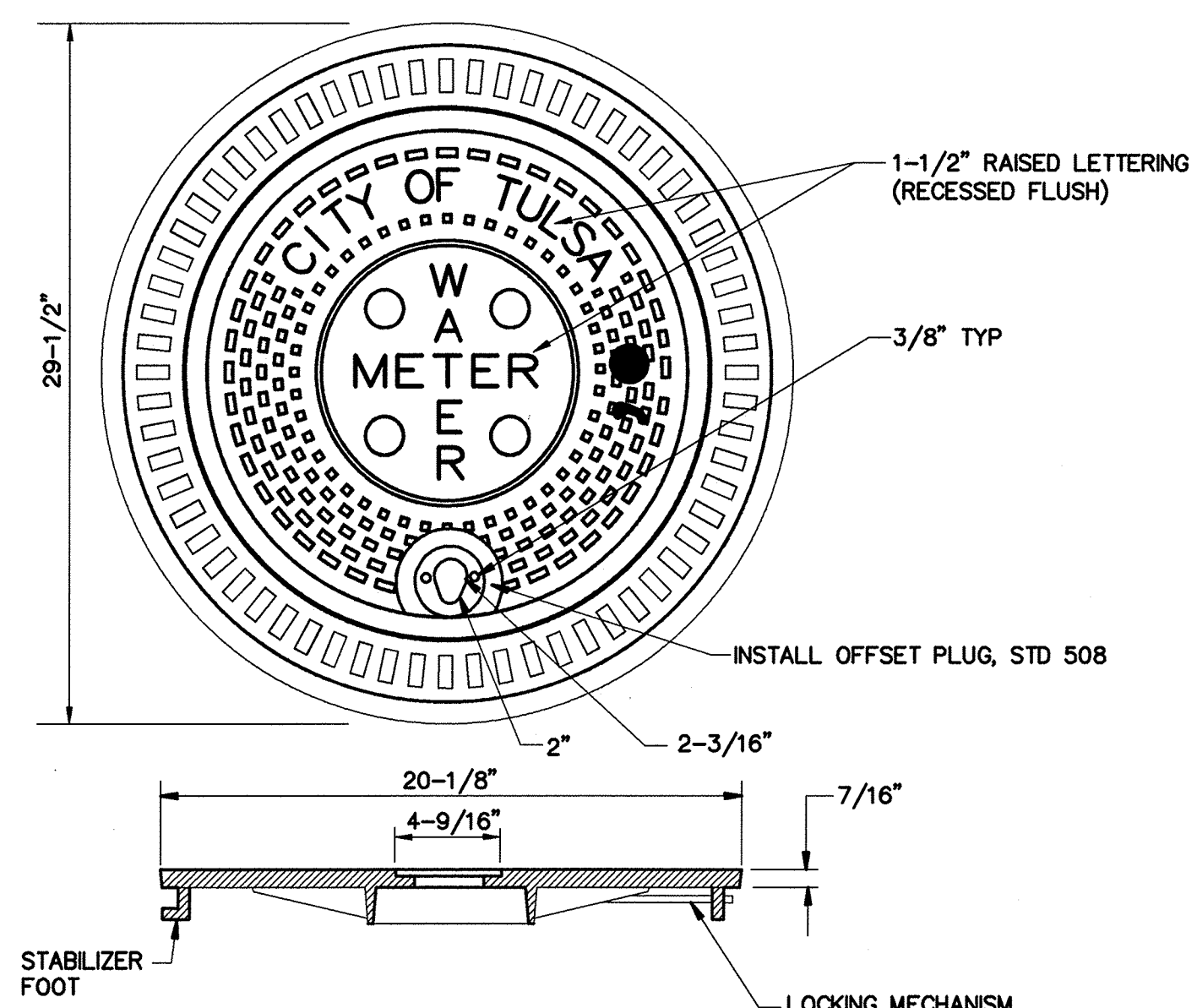
PATH NAME: /E1/PARTS/STDS/DGN/STDS/551-4IN-6IN-8IN-DETECTOR-CHECK.DGN LFM 05/16/2012



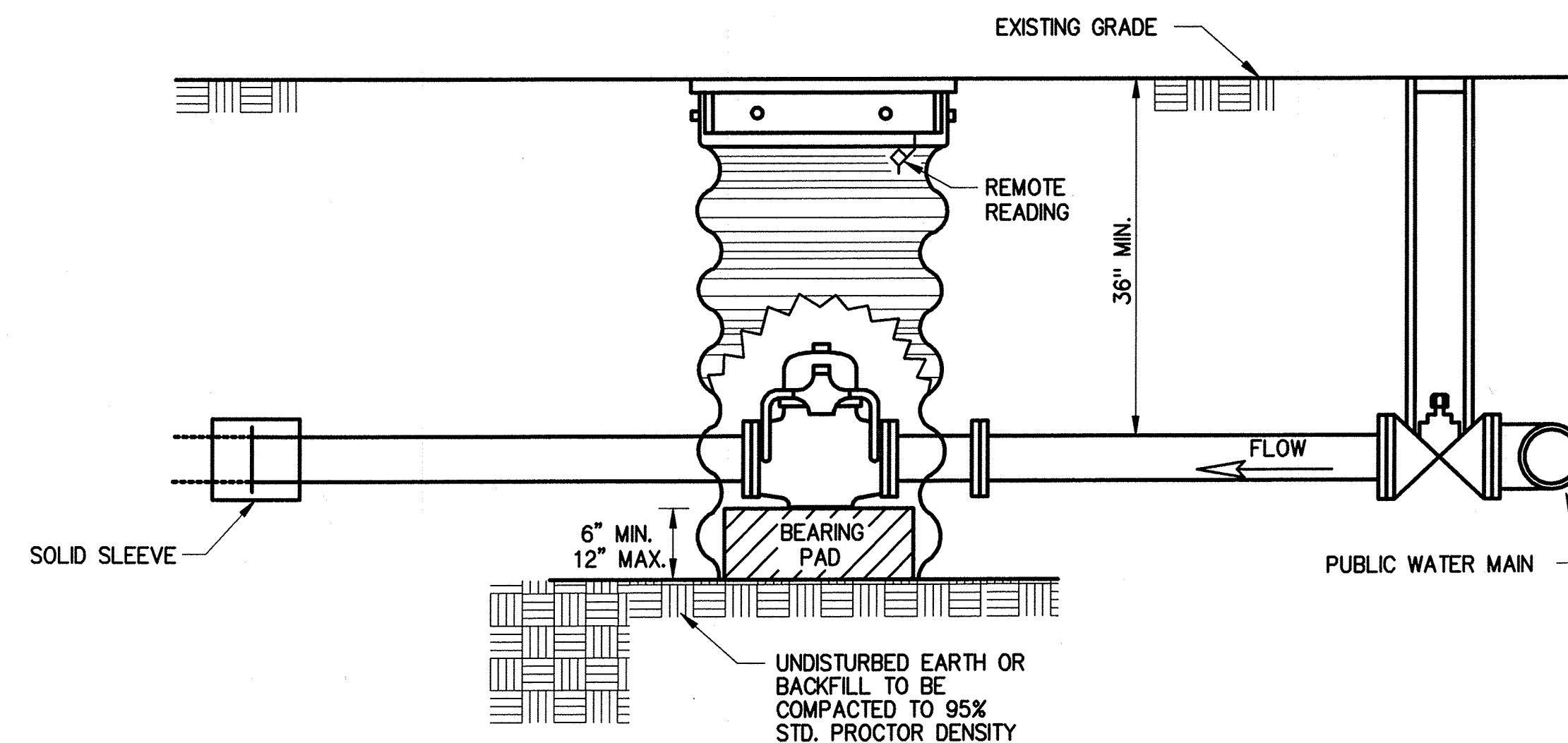
TYPICAL LOCATION  
LONG SERVICE



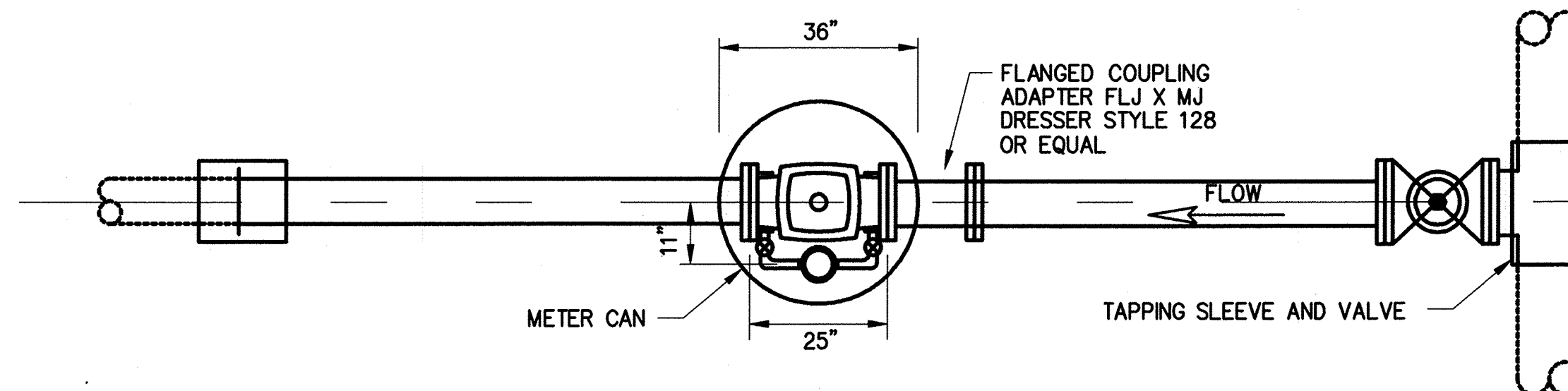
TYPICAL LOCATION  
SHORT SERVICE



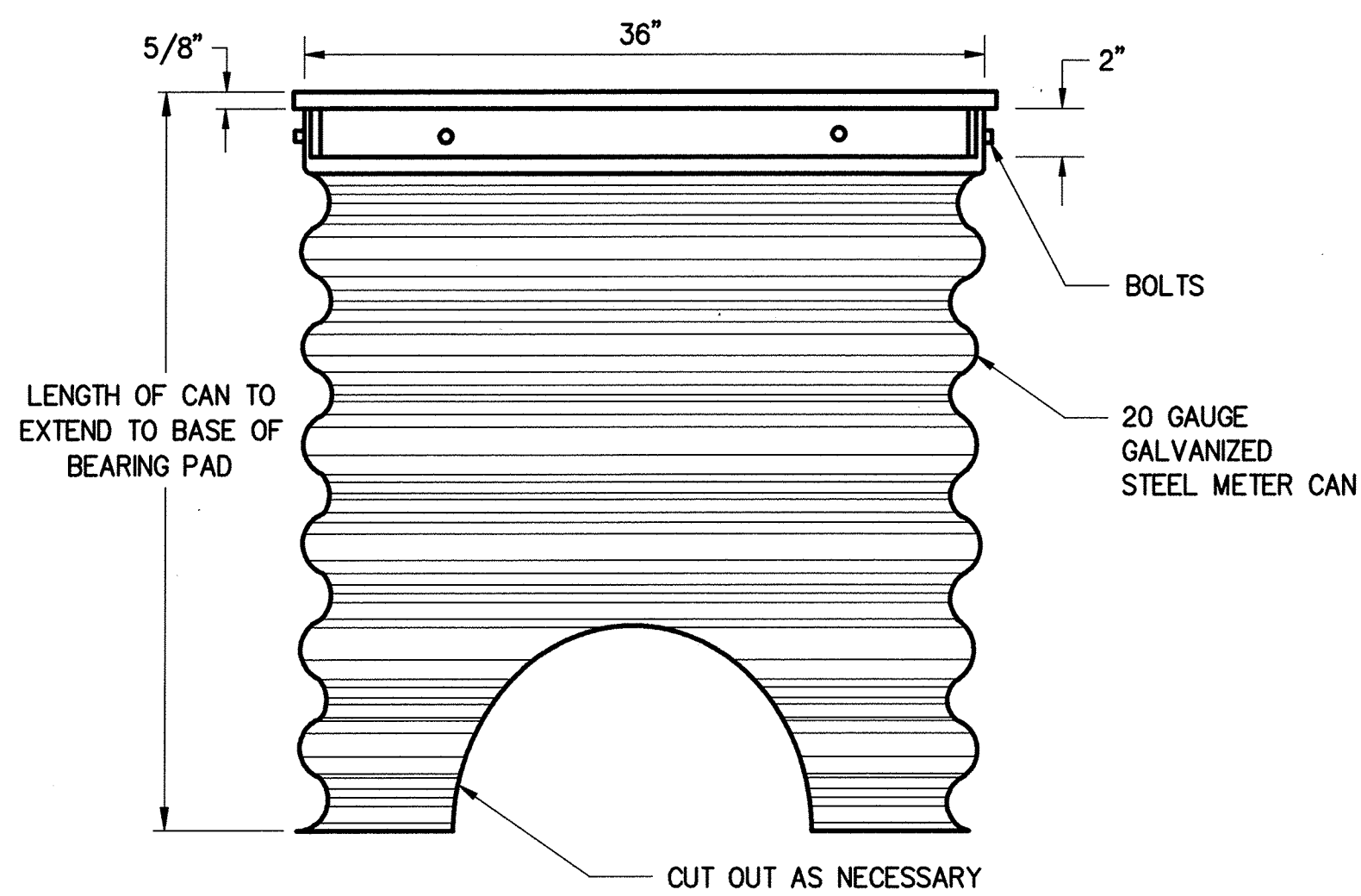
METER BOX RING AND COVER



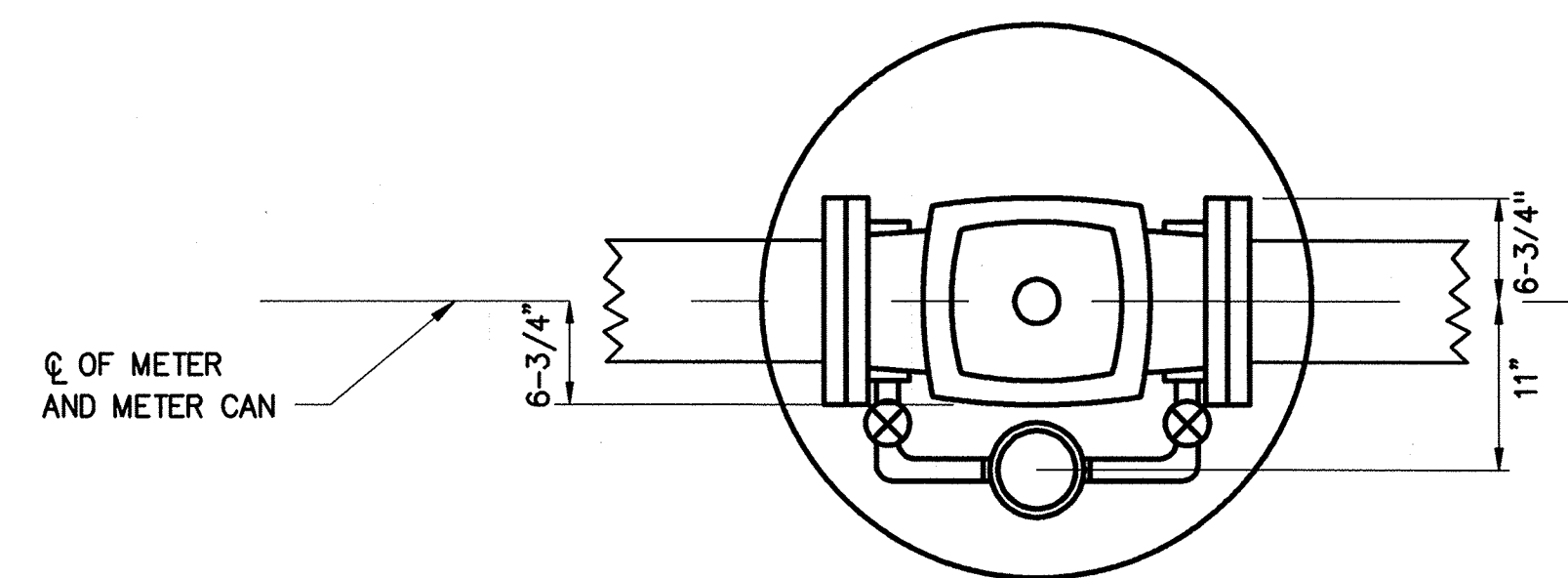
ELEVATION VIEW (8" SHOWN)  
SCALE: 1" = 2'



PLAN VIEW (8" SHOWN)  
SCALE: 1" = 2'



METER CAN



DETAIL PLAN VIEW (8" SHOWN)  
SCALE: 1" = 1'

**NOTE:**

- CONTRACTOR SHALL BE RESPONSIBLE TO FURNISH FITTINGS COMPATIBLE WITH THE TYPE OF PIPE FURNISHED.
- NOTICE SHALL BE GIVEN TO THE ENGINEERING SERVICES DEPT. 48 HOURS IN ADVANCE SO THAT A REPRESENTATIVE OF THE DEPT. MAY INSPECT THE MATERIALS.
- WHERE RESTRAINED JOINTS ARE REQUIRED, THEY SHALL BE EBAA MEGALUG SERIES 1100 OR EQUAL.
- USE DUCTILE IRON PIPING AND FITTINGS FROM THE MAIN LINE TAPPING SLEEVE TO DOWNSTREAM FROM THE METER CHECK VALVE AT THE CONNECTING SLEEVE. PIPE SHALL BE WRAPPED WITH POLYETHYLENE FILM AND TAPED.
- BACKFLOW PREVENTER TO BE INSTALLED IN BUILDING.
- LOCATE GALVANIZED METER CAN IN GREEN AREAS ONLY.

**TO BE FURNISHED AND INSTALLED BY CONTRACTOR**

- 1 - VALVE BOX
- 1 - TAPPING SLEEVE AND VALVE
- 1 - DETECTOR CHECK ASSEMBLY
- 1 - FLANGED COUPLING ADAPTER, FLJ X MJ DRESSER 128, OR EQUAL
- 1 - METER CAN W/ RIM AND LID
- PIPE - TYPE MATERIAL AS REQUIRED

REVISION	BY	DATE

*Valerie*  
CITY ENGINEER

*Ally Hill*  
DESIGN MANAGER

CITY OF TULSA, OKLAHOMA  
ENGINEERING SERVICES DEPARTMENT

4", 6", 8" DETECTOR CHECK  
ASSEMBLY AND METER CAN

DATE: OCTOBER 2013

STD. 551