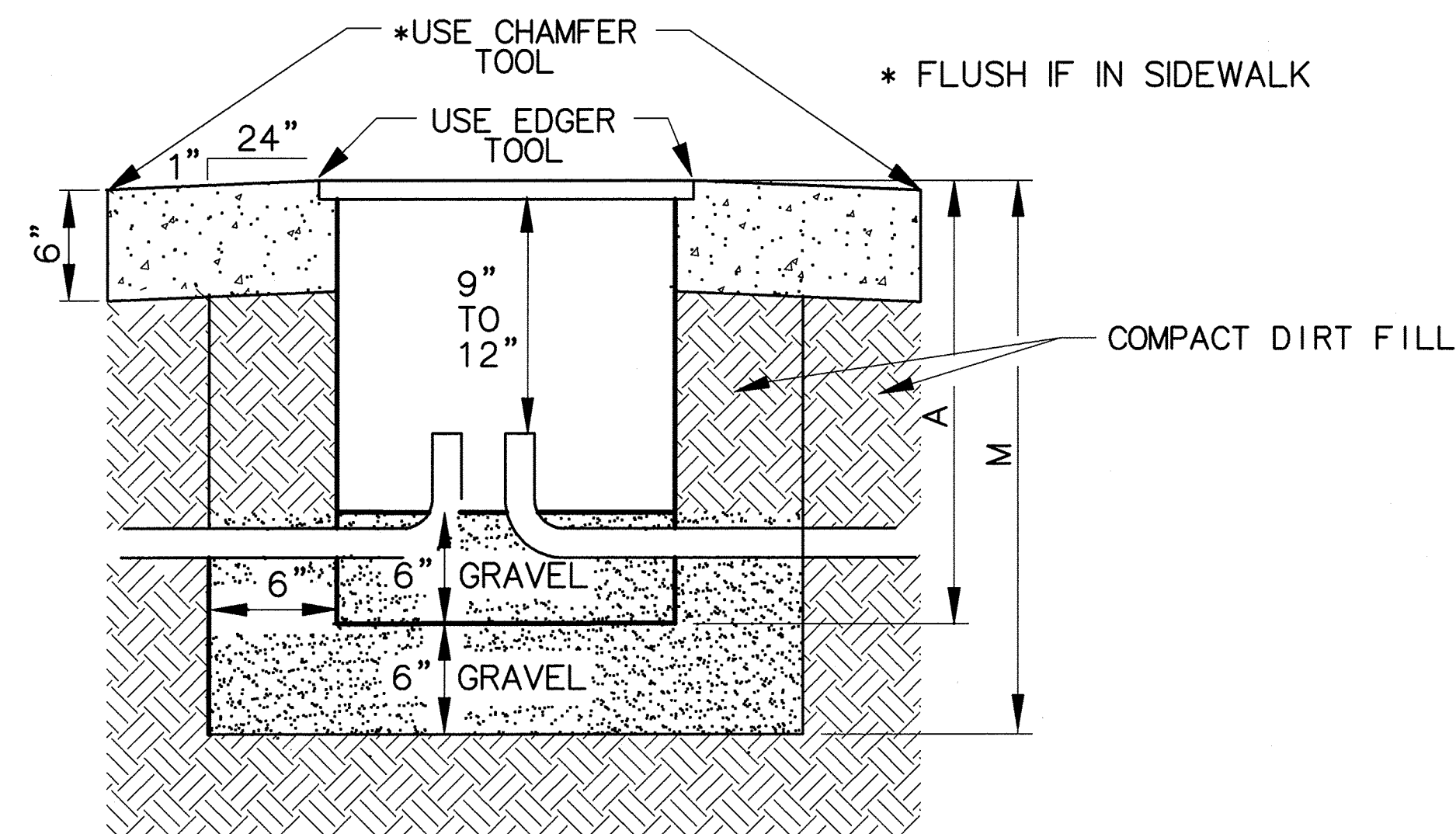
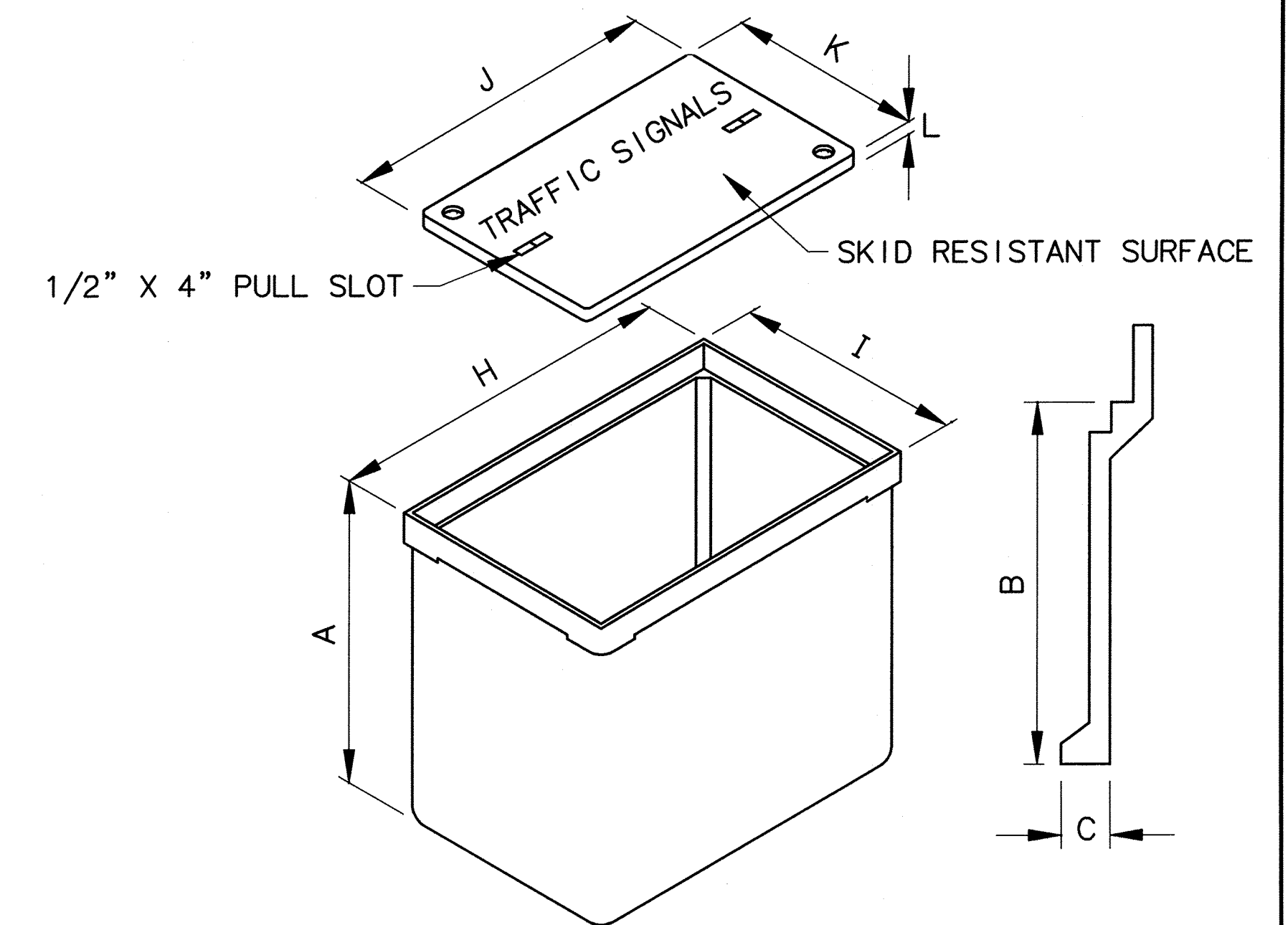
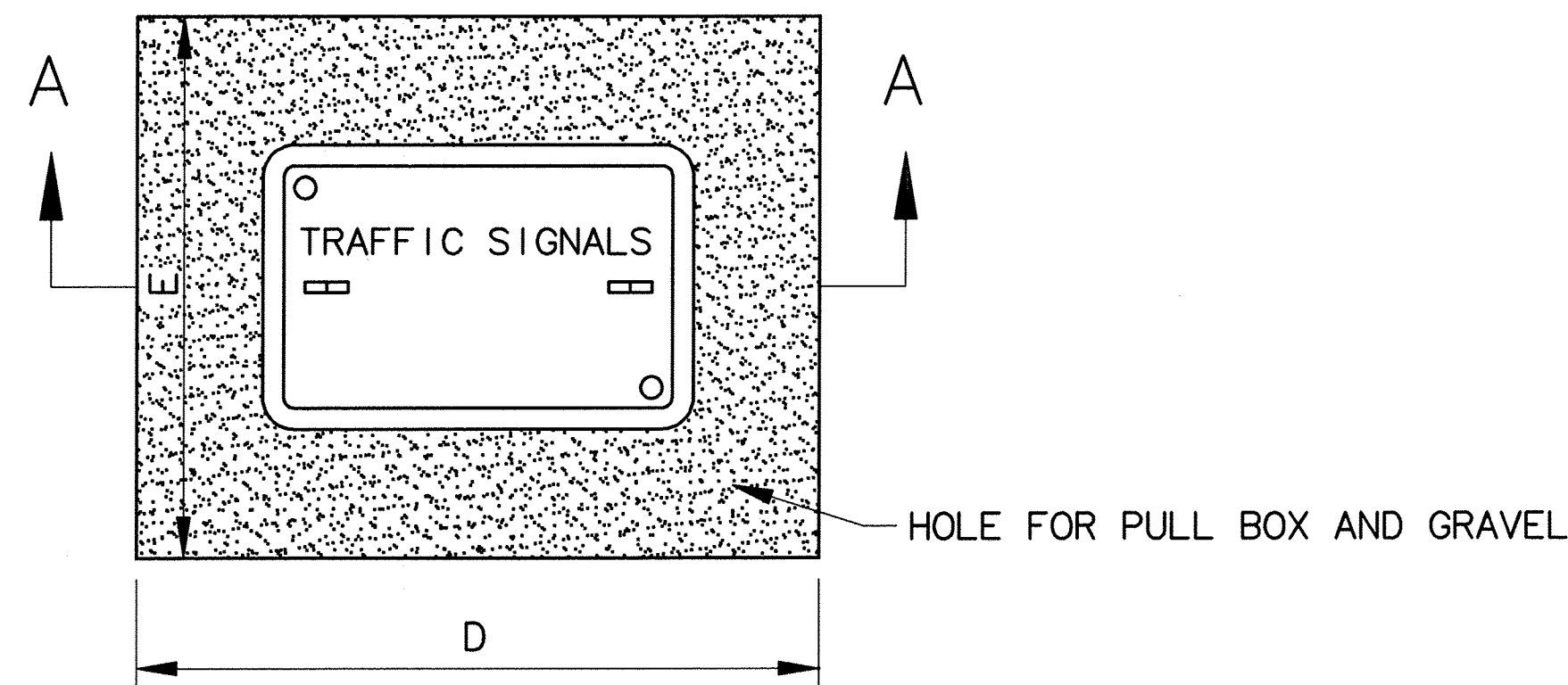
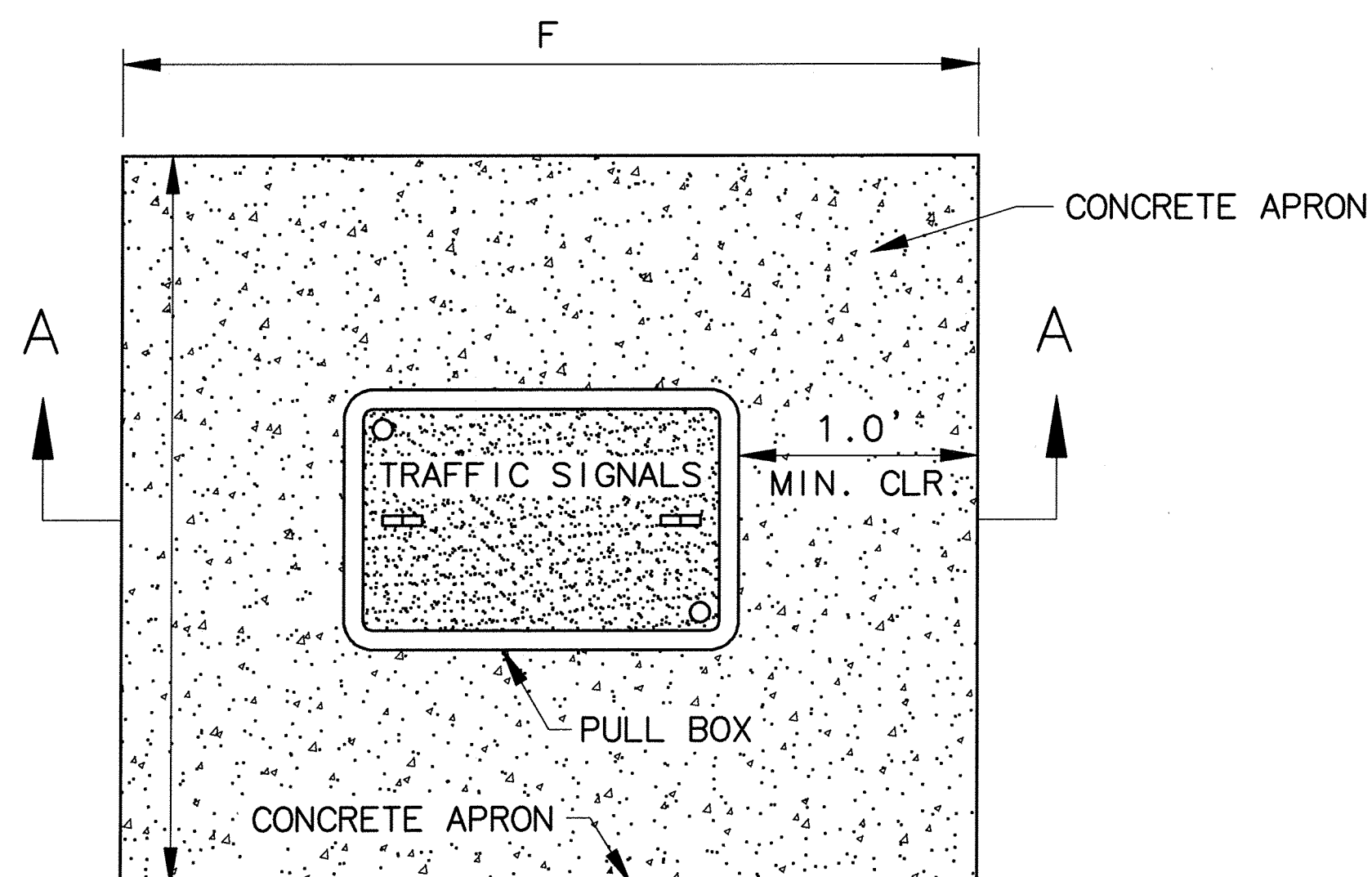


PULL BOX SIZE	A	B	C	D	E	F	G	H	I	J	K	L	M	CLASS 'A' CONCRETE (CY)
I	18 1/2"	17 1/4"	1 1/2"	32 1/2"	25 1/2"	44 1/2"	37 1/2"	20 1/2"	13 1/2"	18 1/2"	11 1/2"	3/4"	24"	0.18
II	24"	22"	1 1/4"	44 1/4"	31 1/4"	56 1/4"	43 1/4"	32 1/4"	19 1/4"	30 1/2"	17 1/2"	2"	30"	0.23
III	24"	21"	2"	49 5/8"	38"	61 5/8"	50"	37 5/8"	26"	35 5/8"	24"	3"	30"	0.27

\* THE DIMENSIONS FOR THE PULL BOXES ARE NOMINAL AND MAY VARY SLIGHTLY BY THE MANUFACTURER'S DESIGN



SECTION A-A



PATH NAME: /E1/PARTS/STD/DGNLSTDS/601-pull-box-inst.dgn SBW 09/17/2012

REVISION	BY	DATE

*[Signature]*  
CITY ENGINEER

*[Signature]*  
CITY TRAFFIC ENGINEER

CITY OF TULSA, OKLAHOMA  
ENGINEERING SERVICES DEPARTMENT

PULL BOX INSTALLATION

DATE: OCTOBER 2013

STD. 601