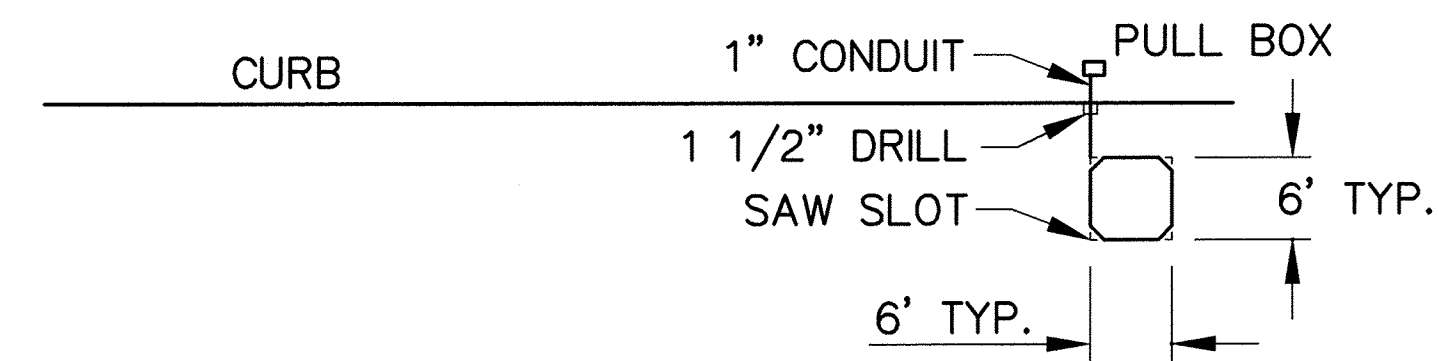
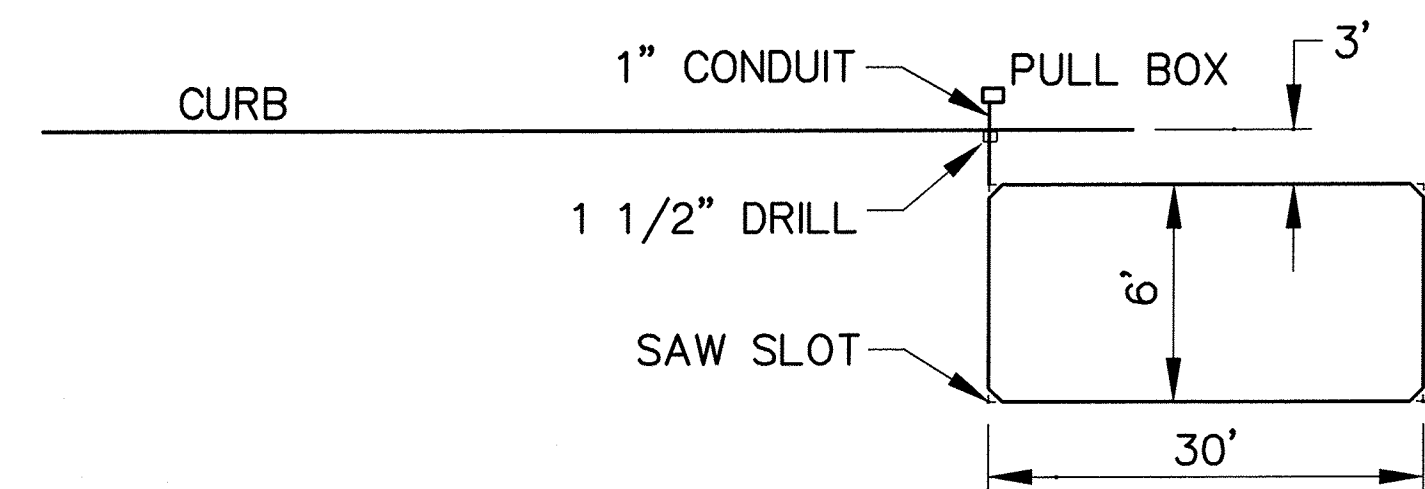


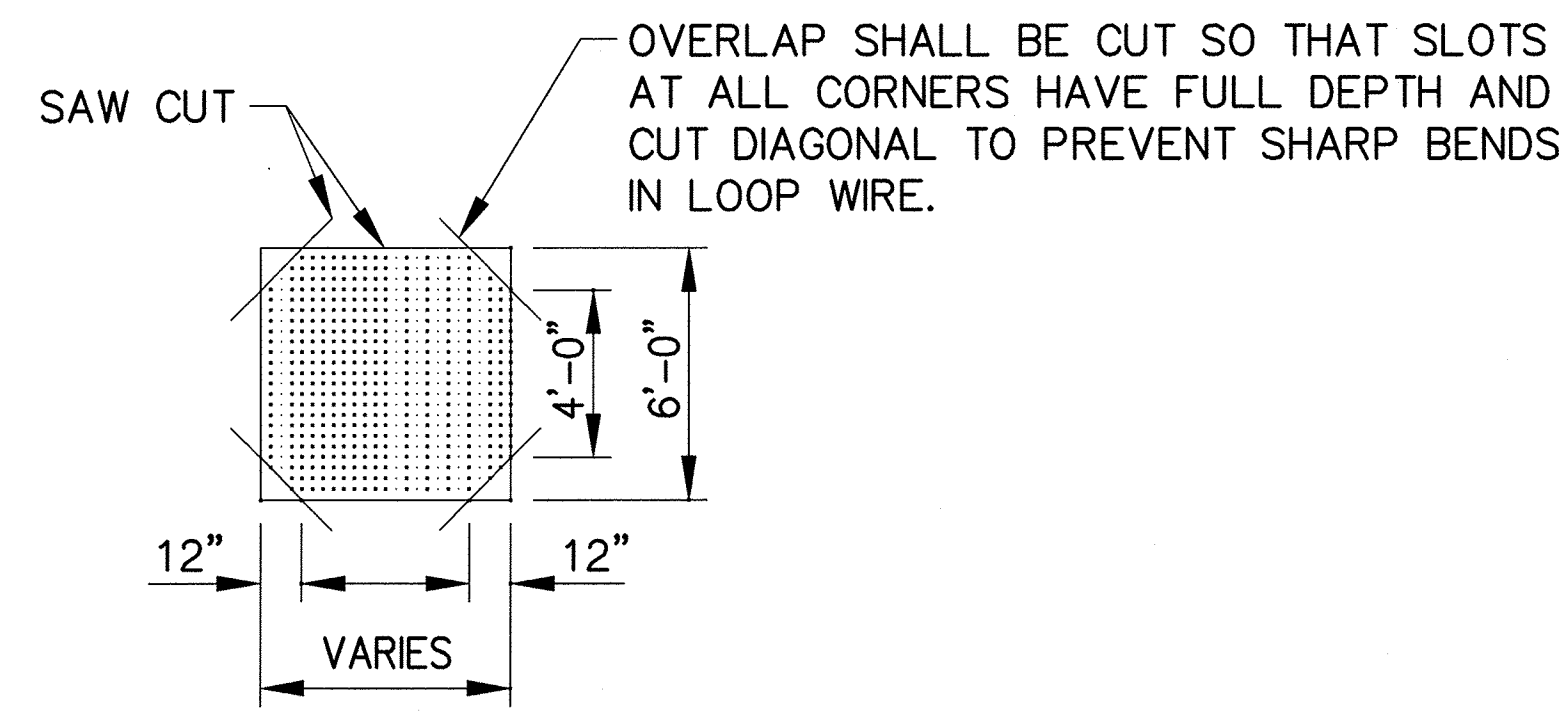
LEFT TURN QUADRUPOLE LOOP  
WINDING INSTRUCTIONS



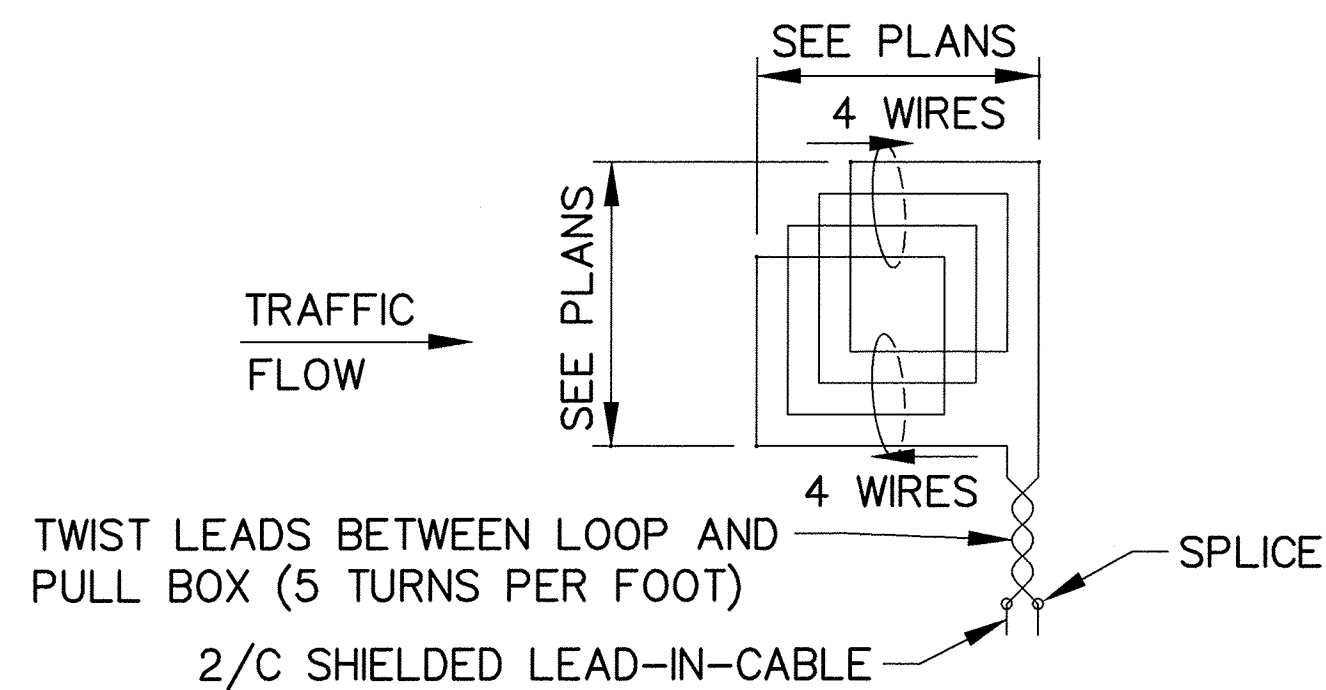
STRAIGHT THROUGH LOOP ( SMALL )  
(WITH 4 WRAPS)



STRAIGHT THROUGH LOOP ( LARGE )  
(WITH 4 WRAPS)



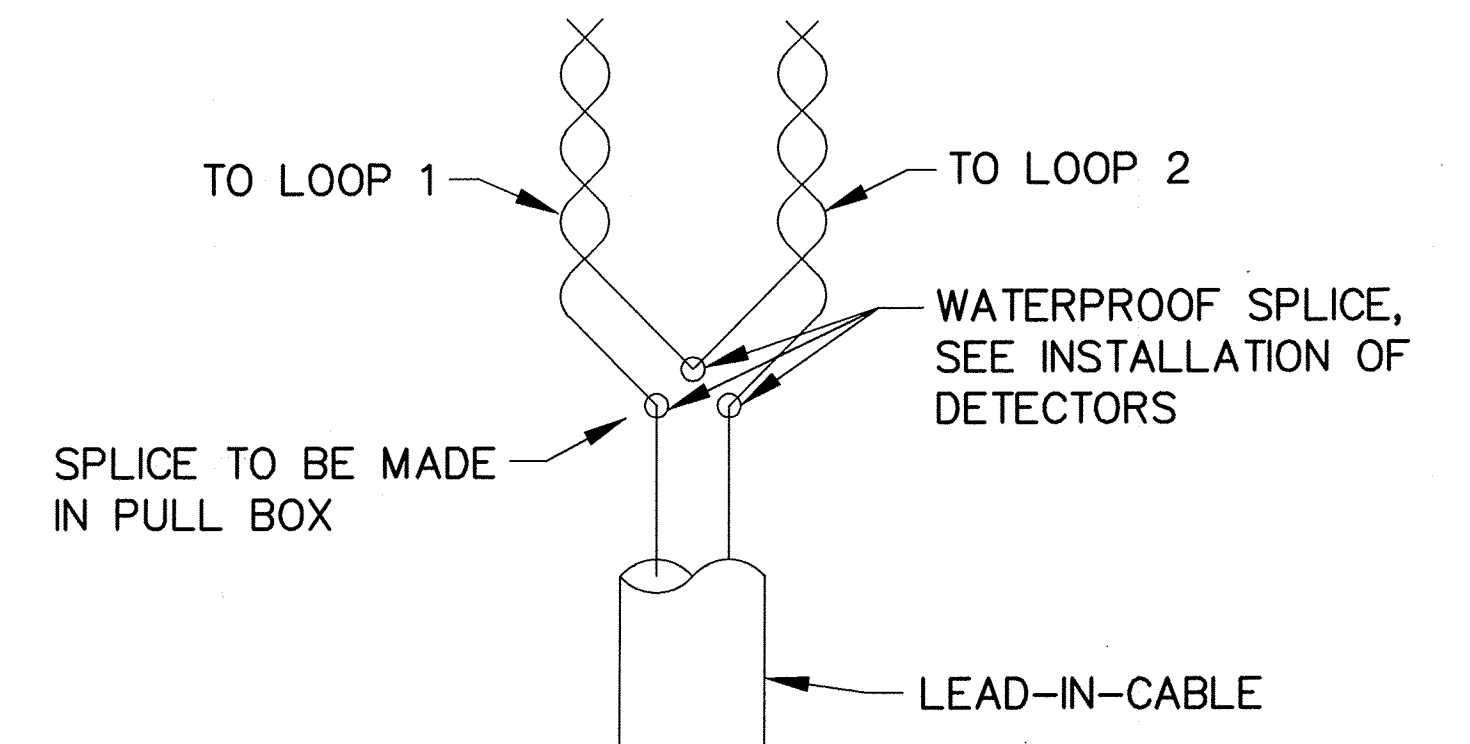
ALL SAW CUT CORNERS - DIAGRAM



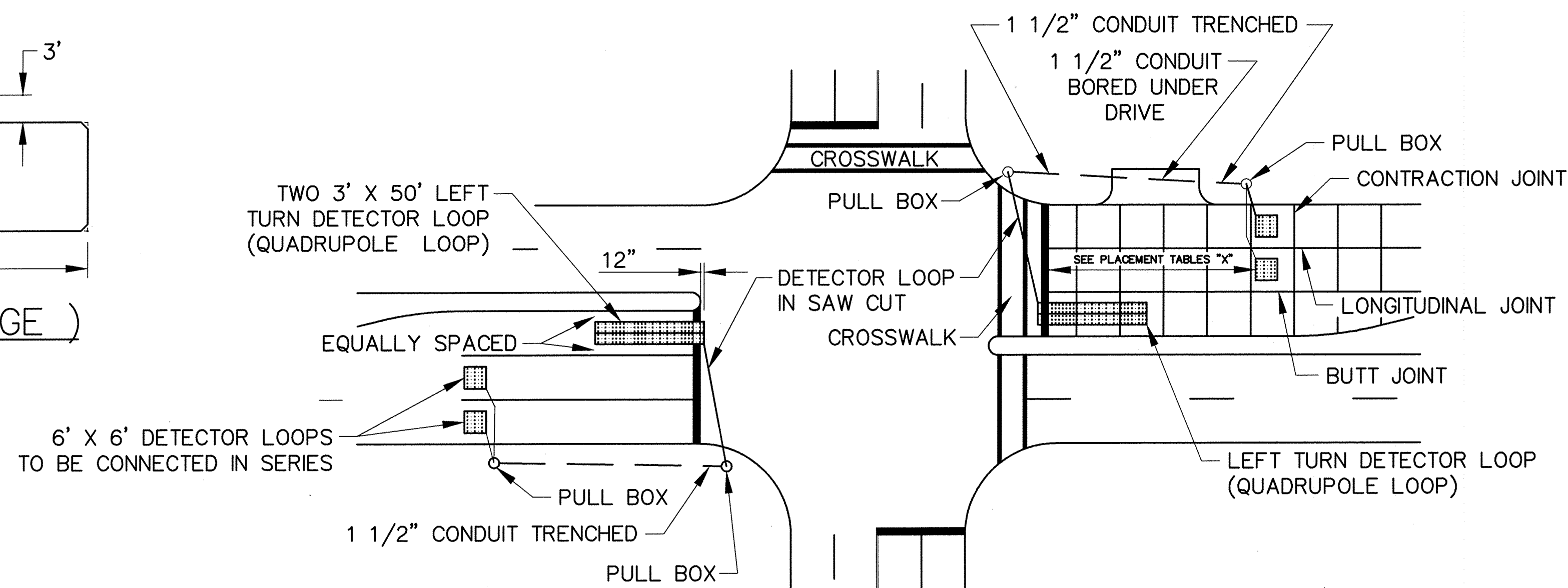
STANDARD LOOP  
(6' x 6')  
(6' x 30')

NUMBER OF WIRES	1-2	3	4	5	6
CONCRETE	1 1/4	1 3/4	2	2 1/2	2 3/4
ASPHALT	1 3/4	2 1/4	2 1/2	3	3 1/4

DESIGN SPEED MPH	DISTANCE "X" FT.
30	220
35	256
40	293
45	330



TYPICAL LOOP DETECTOR WIRE  
CONNECTION IN SERIES



TYPICAL DETECTOR WIRE AND LOOP PLACEMENT

REVISION	BY	DATE

 CITY ENGINEER	CITY OF TULSA, OKLAHOMA ENGINEERING SERVICES DEPARTMENT
	 CITY TRAFFIC ENGINEER
DATE: OCTOBER 2013	STD. 604A