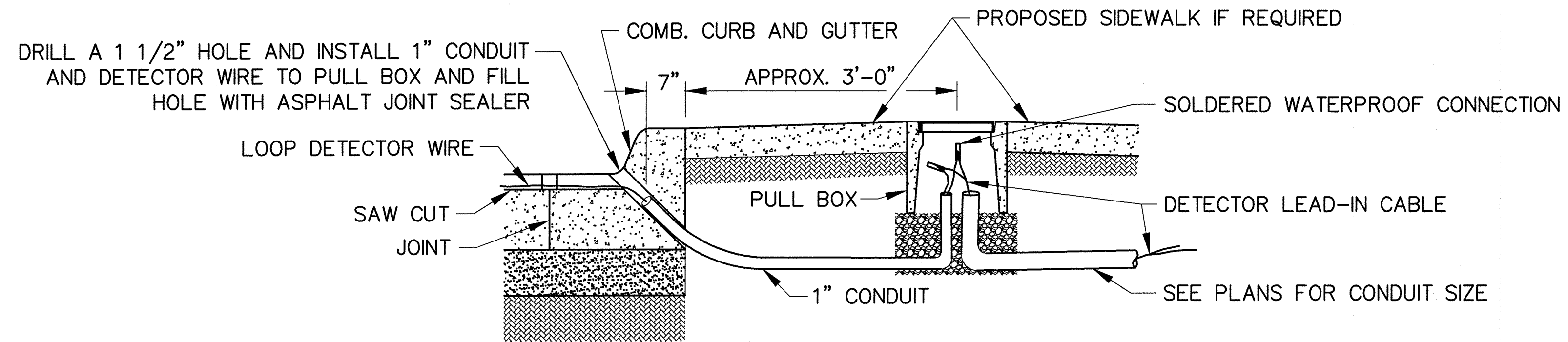
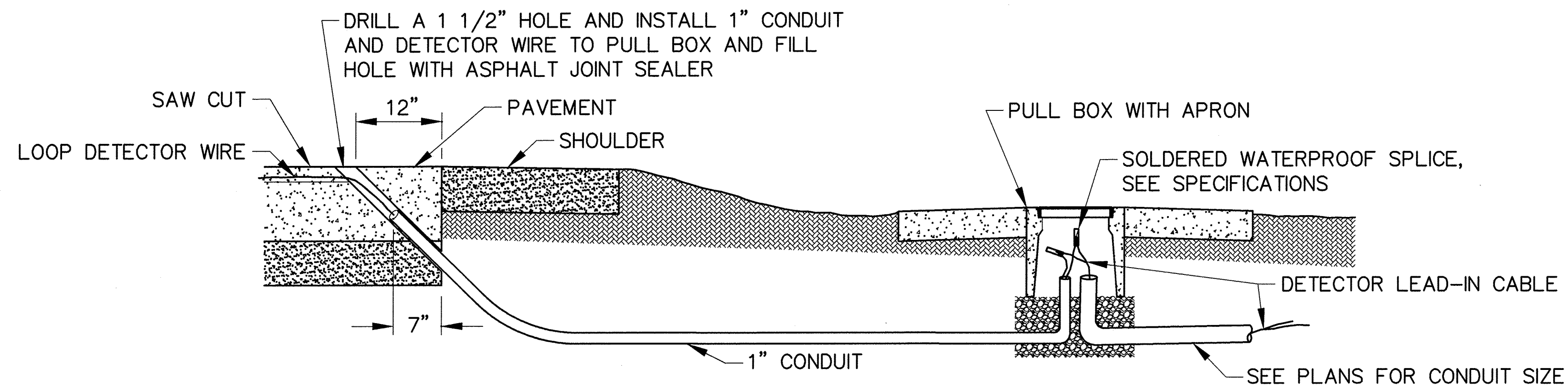


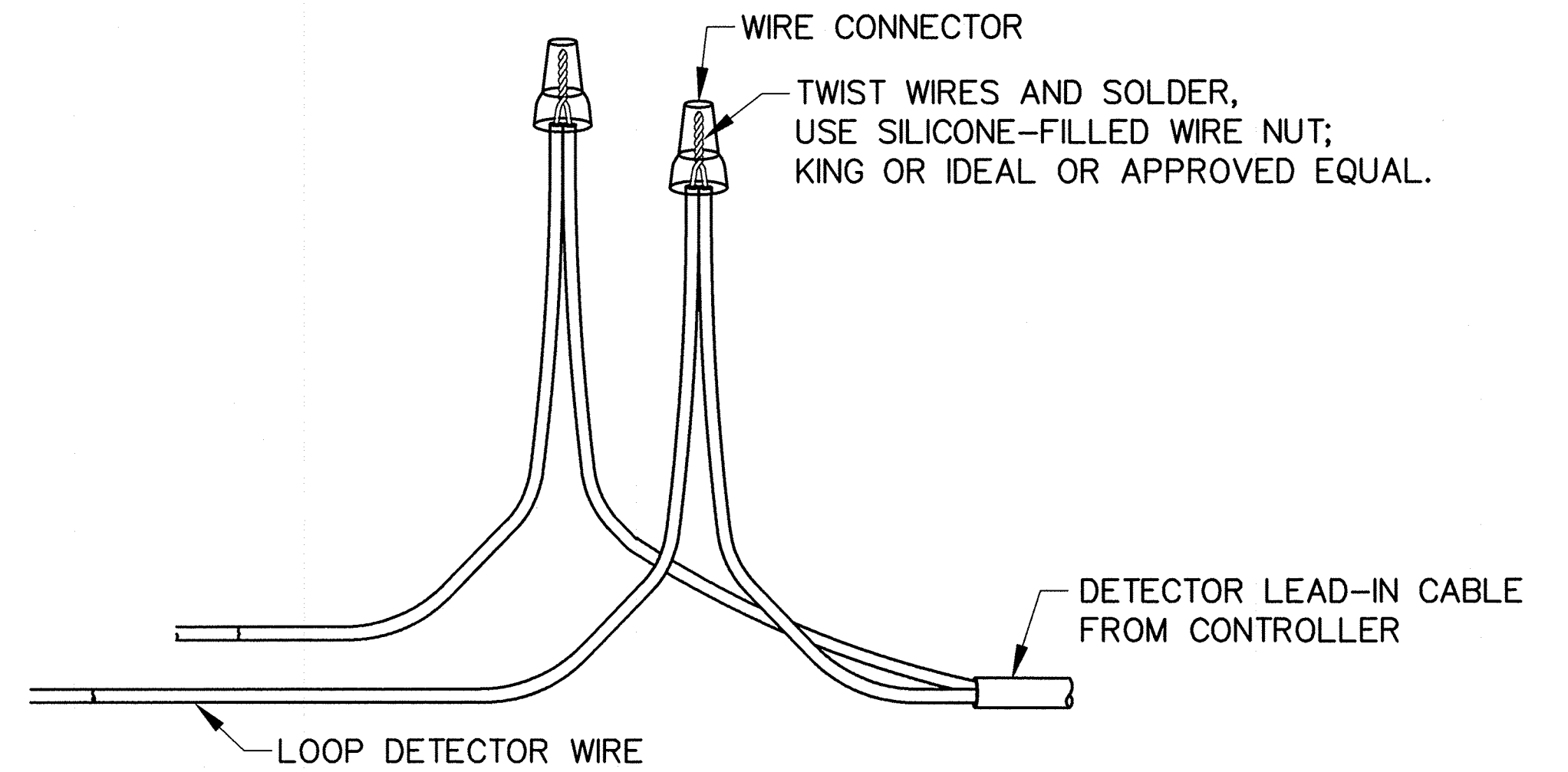
PATH NAME: /E1/PARTS/STD/DGN\_STDS/604B-detector-wire-inst.dgn SBW 09/17/2012



SECTION VIEW OF DETECTOR WIRE THROUGH EXISTING CURB TO PULL BOX



SECTION VIEW OF DETECTOR WIRE THROUGH PAVEMENT TO PULL BOX



LOOP DETECTOR WIRE CONNECTION DETAIL

REVISION	BY	DATE

*[Signature]*  
CITY ENGINEER

*[Signature]*  
CITY TRAFFIC ENGINEER

CITY OF TULSA, OKLAHOMA  
ENGINEERING SERVICES DEPARTMENT

DETECTOR WIRE INSTALLATION

DATE: OCTOBER 2013

STD. 604B