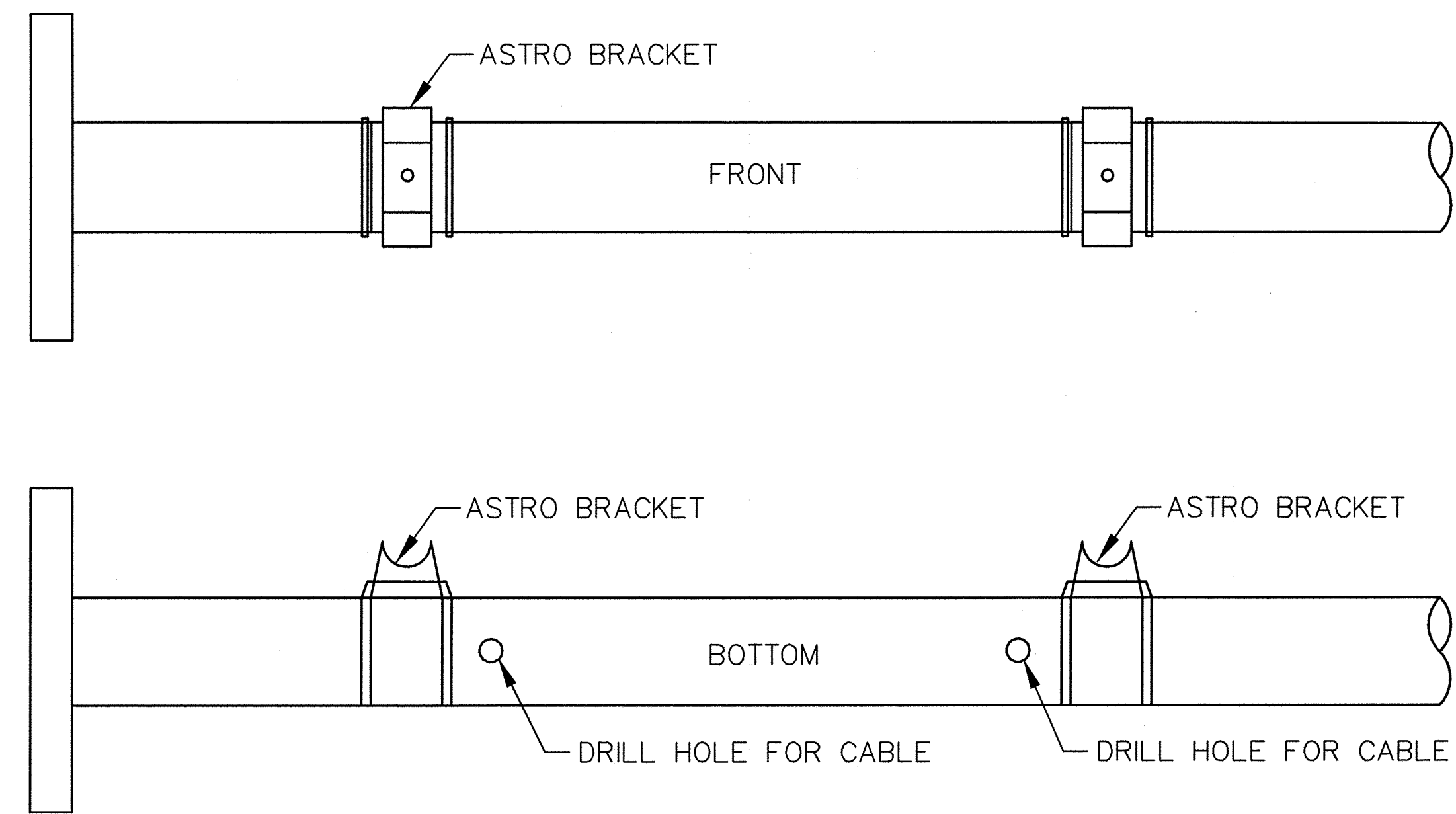


NOTE:

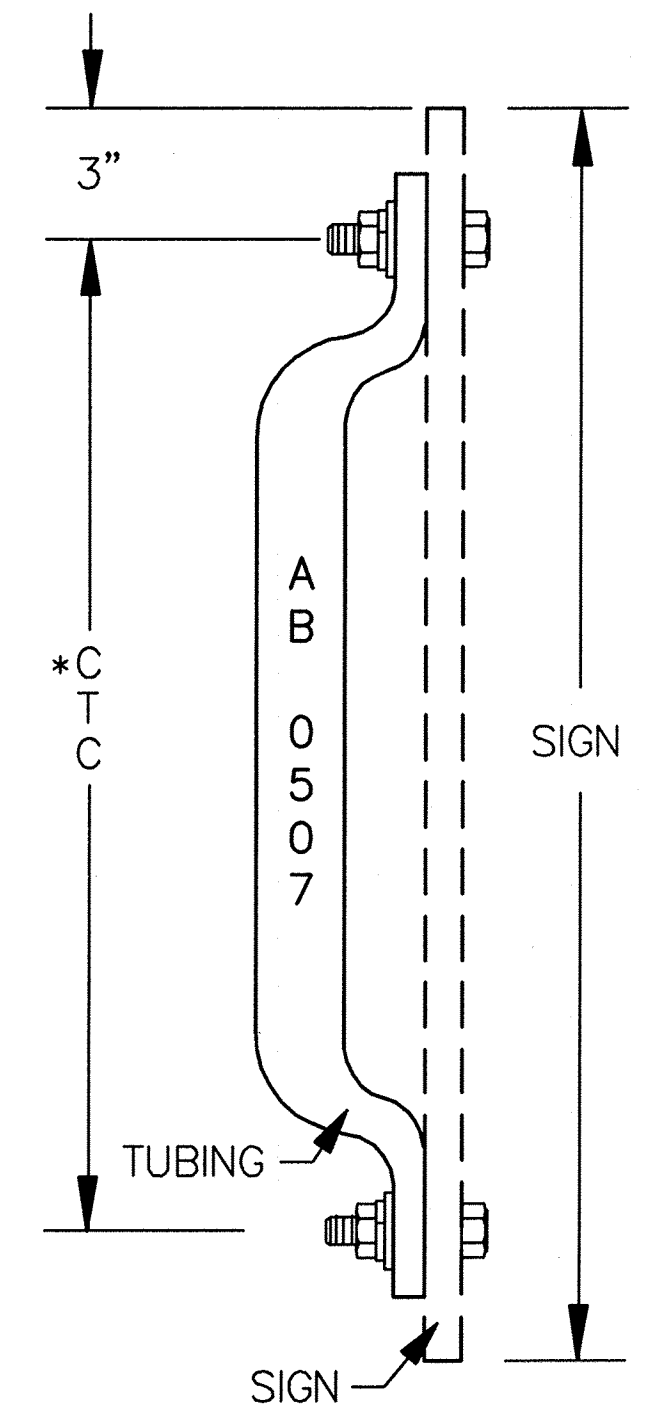
1. FOR MAST ARM MOUNTED SIGNS OVER 24" IN HEIGHT, 2 STELLAR CLAMPS SHALL BE USED.
2. ALL MAST ARM SIGNS SHALL BE INSTALLED LEVEL AND PLUMB.

SIGN LENGTH	1'6"-3'0"	3'6"-8'0"	8'6"-10'0"
TUBE LENGTH	34"	94"	118"
SIGN CLAMP QUANTITY	2	4	6

SIGN CLAMP
PART # AB-0287-04-SS

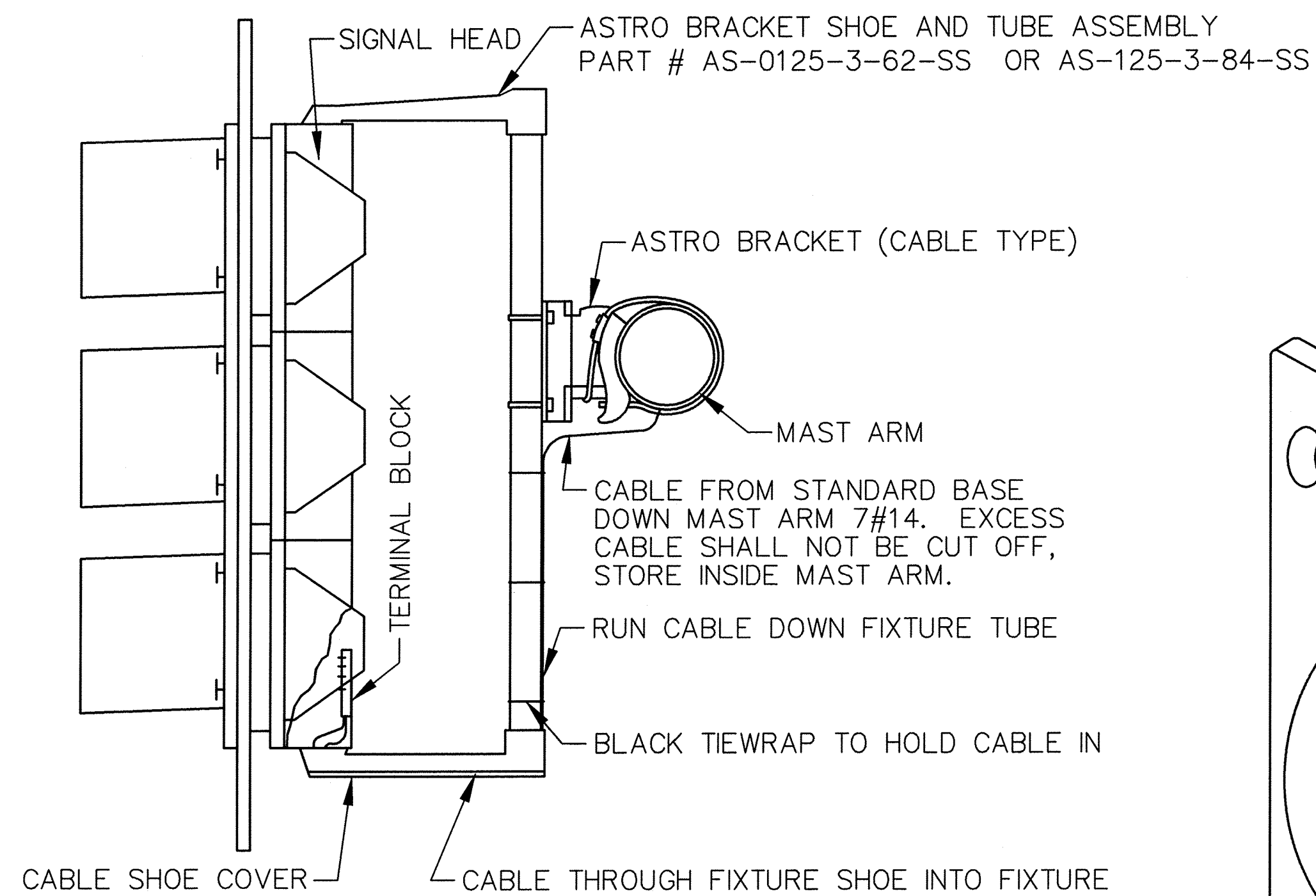


HORIZONTAL TUBE MOUNTED SIGN BRACKET DETAILS

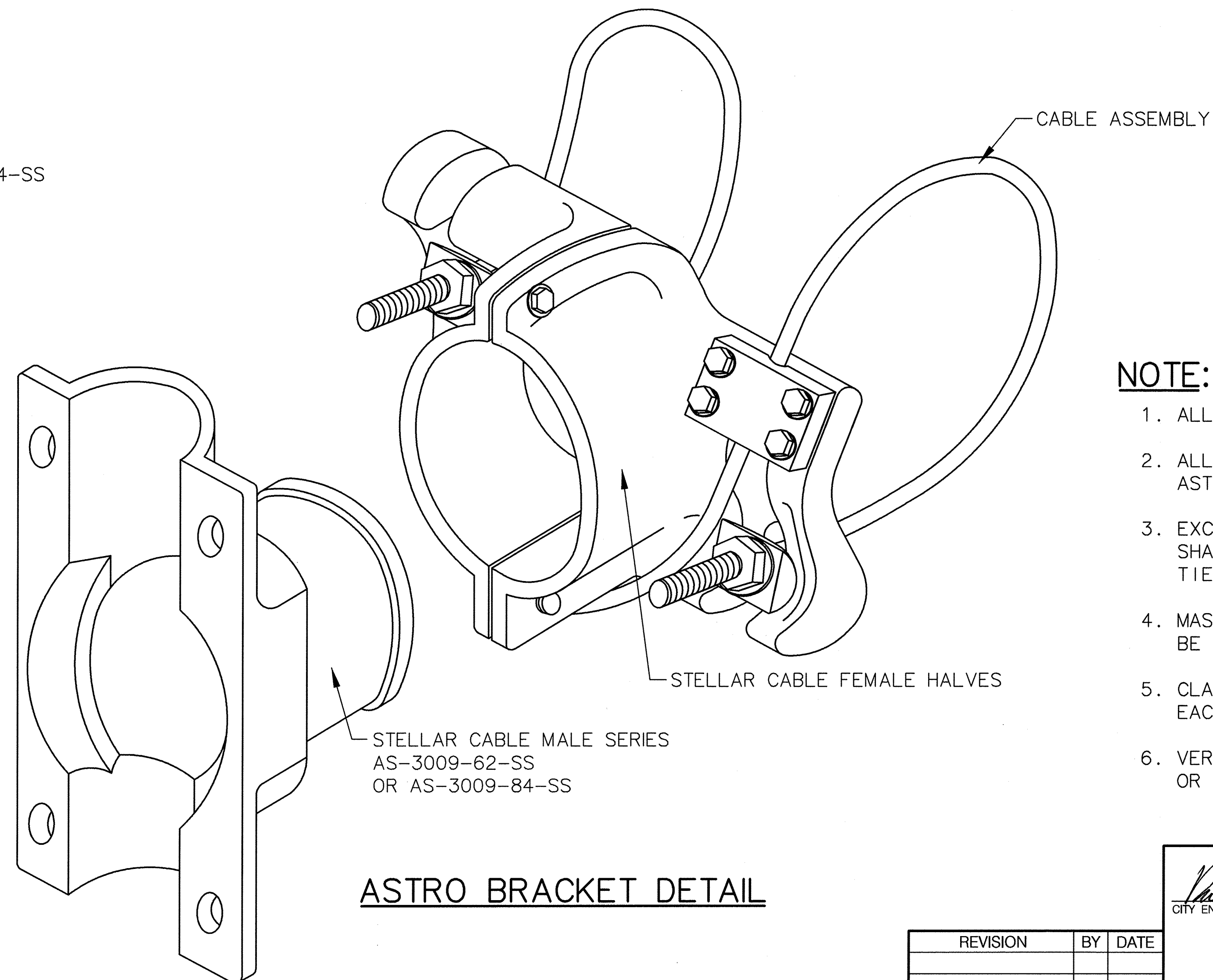


SIGN MOUNT	
TUBE CTC*	SIGN
18"	24"
24"	30"
30"	36"

VERTICAL TUBE MOUNTED SIGN BRACKET DETAIL



SIGNAL HEAD MOUNTING DETAIL



ASTRO BRACKET DETAIL

NOTE:

1. ALL HARDWARE SHALL BE STAINLESS STEEL.
2. ALL MAST ARM BRACKETS SHALL BE ASTRO-BRAC STELLAR SERIES, OR AN APPROVED EQUAL.
3. EXCESS CABLE ASSEMBLY ON ALL MAST ARM BRACKETS SHALL BE COILED UP AND TIED DOWN WITH BLACK TIE WRAPS ON TOP OF MAST ARM.
4. MAST ARM CLAMPS WITH IMPACT DAMAGE WILL BE REPLACED AT CONTRACTORS EXPENSE.
5. CLAMP CABLES SHALL BE INSTALLED PARALLEL TO EACH OTHER AND PERPENDICULAR TO THE MAST ARM.
6. VERTICAL SIGN TUBE MOUNT SHALL BE PELCO #AB-0507 OR APPROVED EQUAL.

REVISION	BY	DATE

[Signature]
CITY ENGINEER

[Signature]
CITY TRAFFIC ENGINEER

CITY OF TULSA, OKLAHOMA
ENGINEERING SERVICES DEPARTMENT

MAST ARM BRACKETS

DATE: OCTOBER 2013

STD. 616