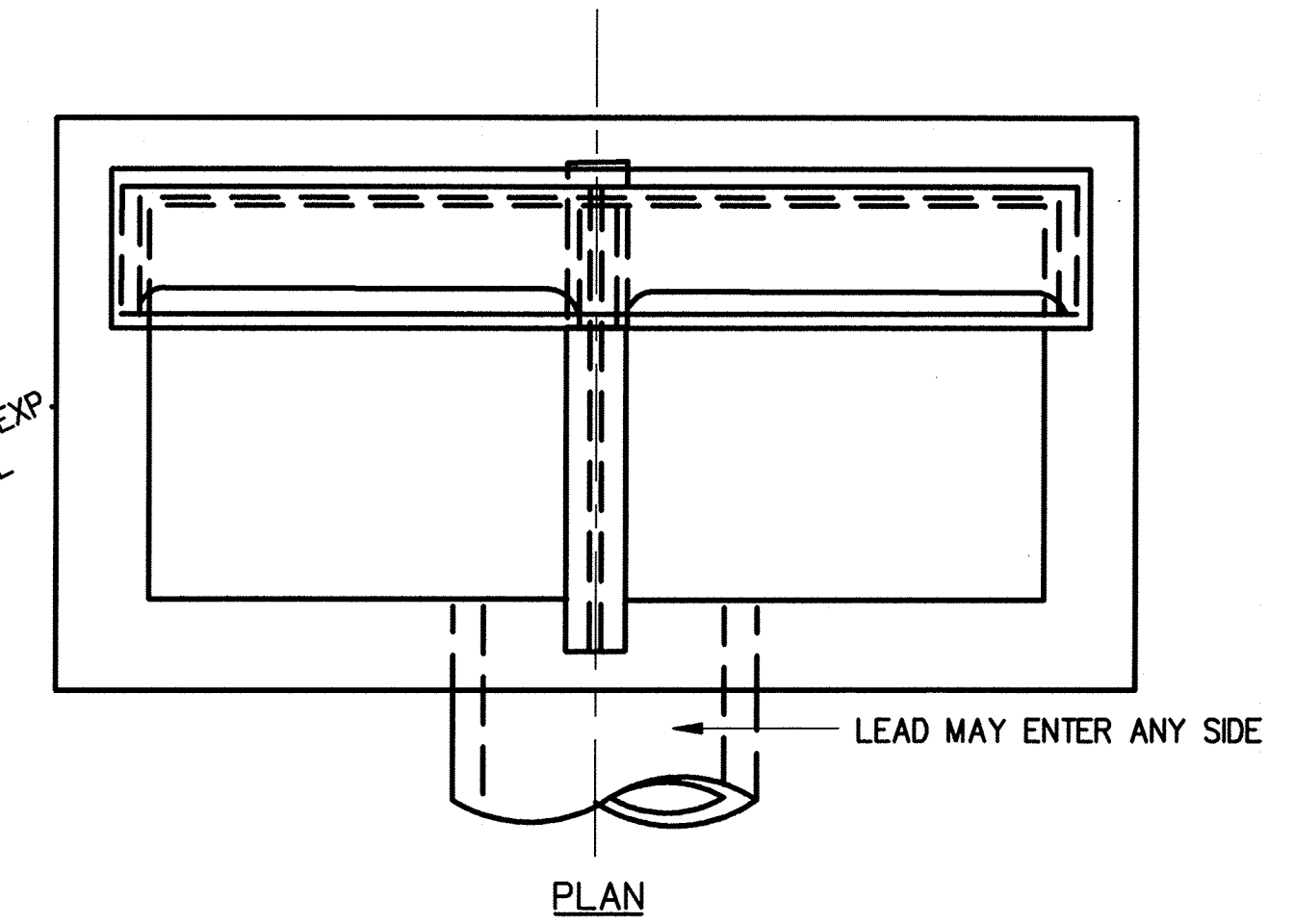
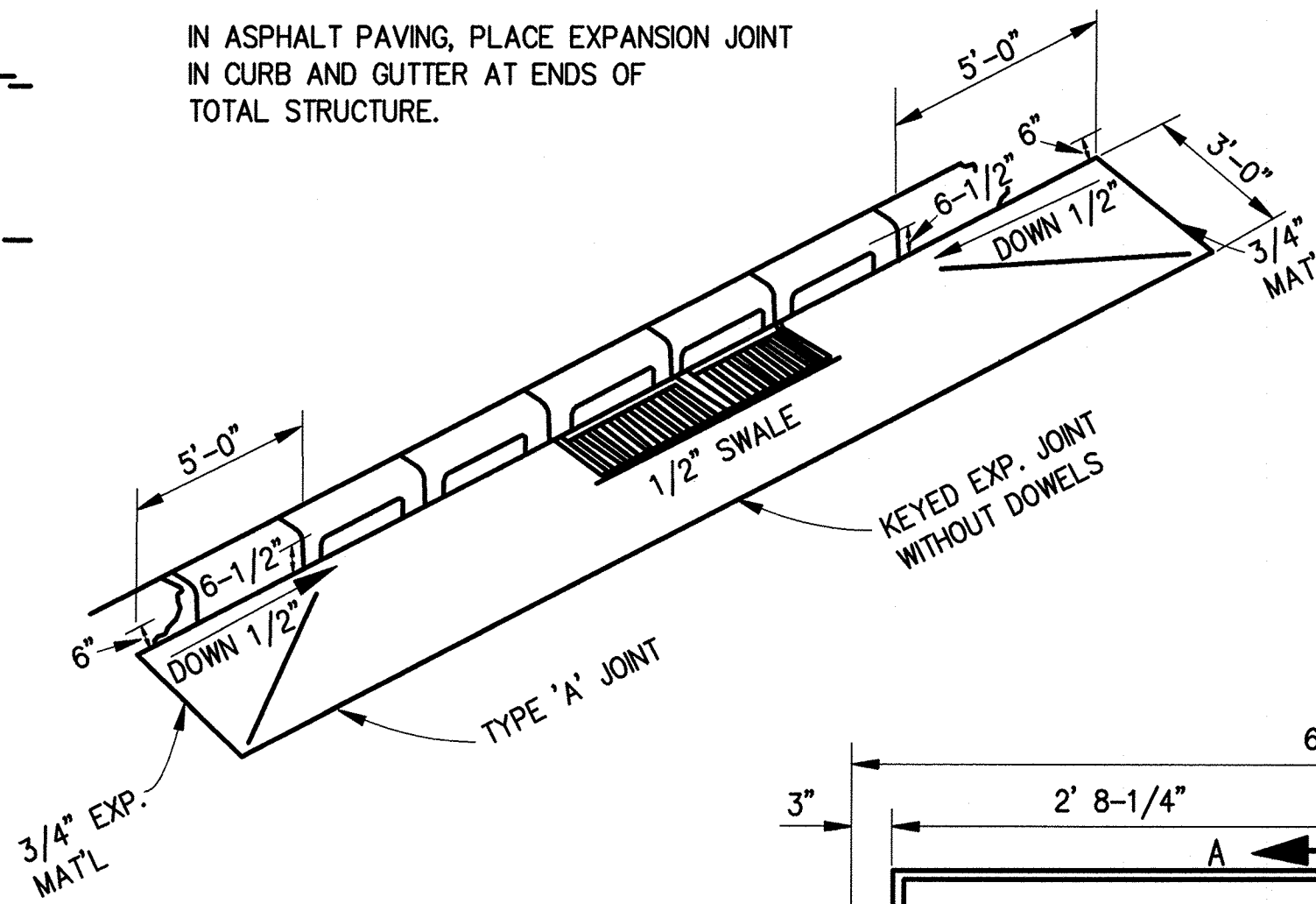


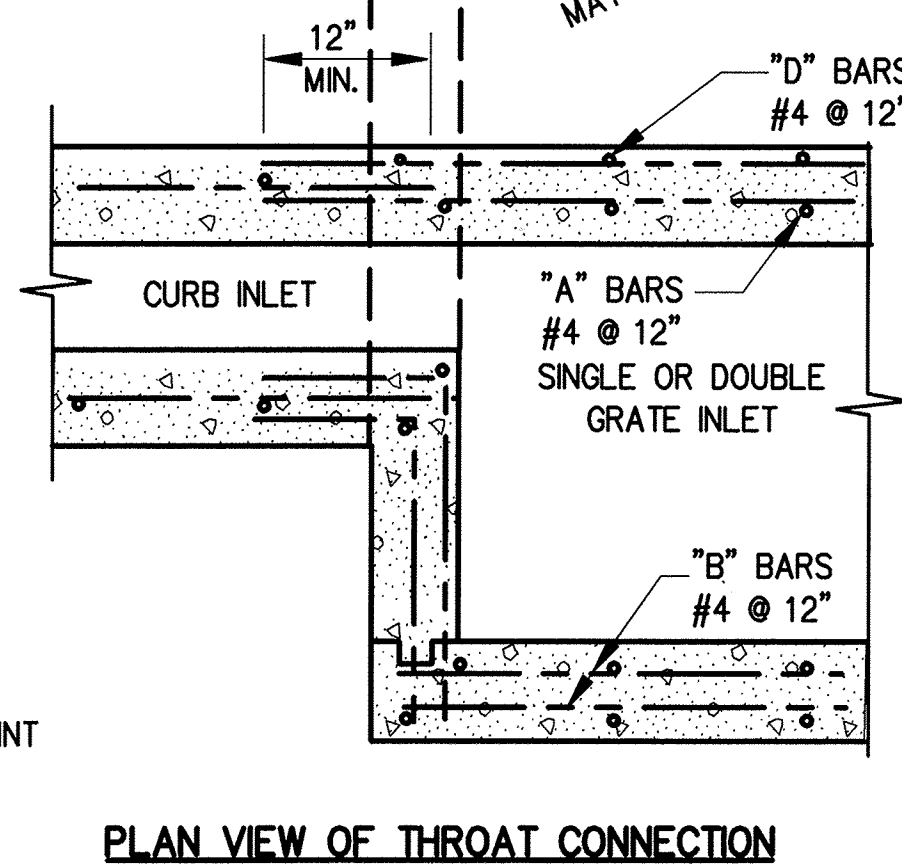
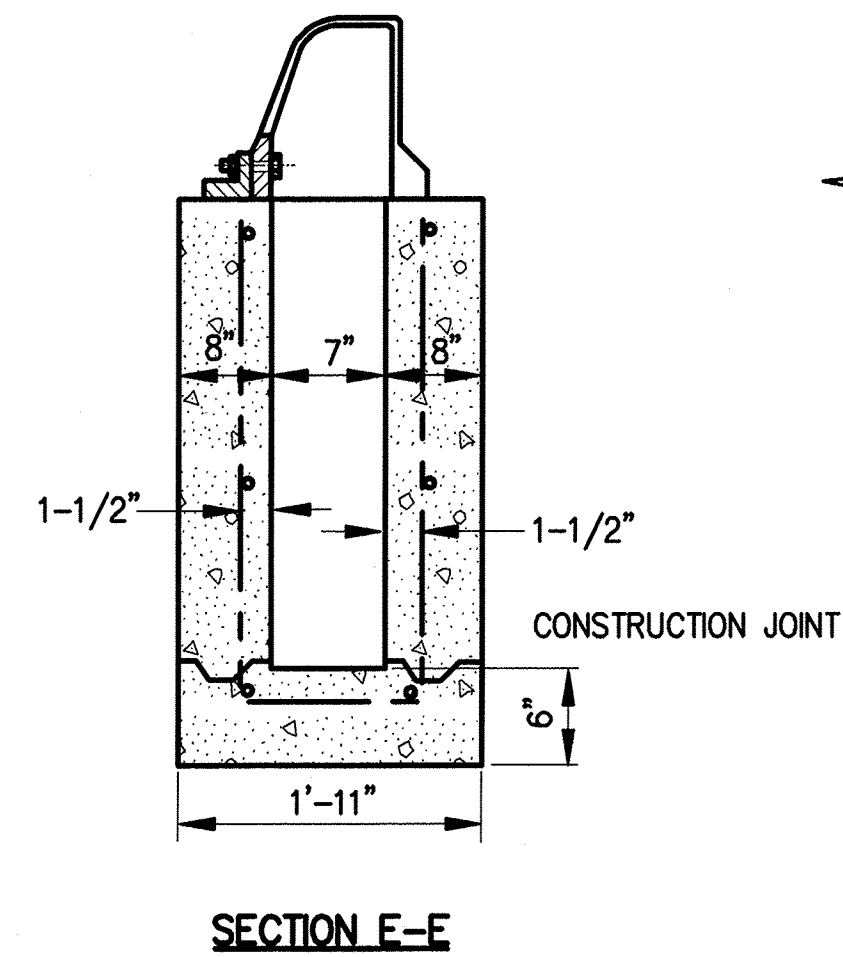
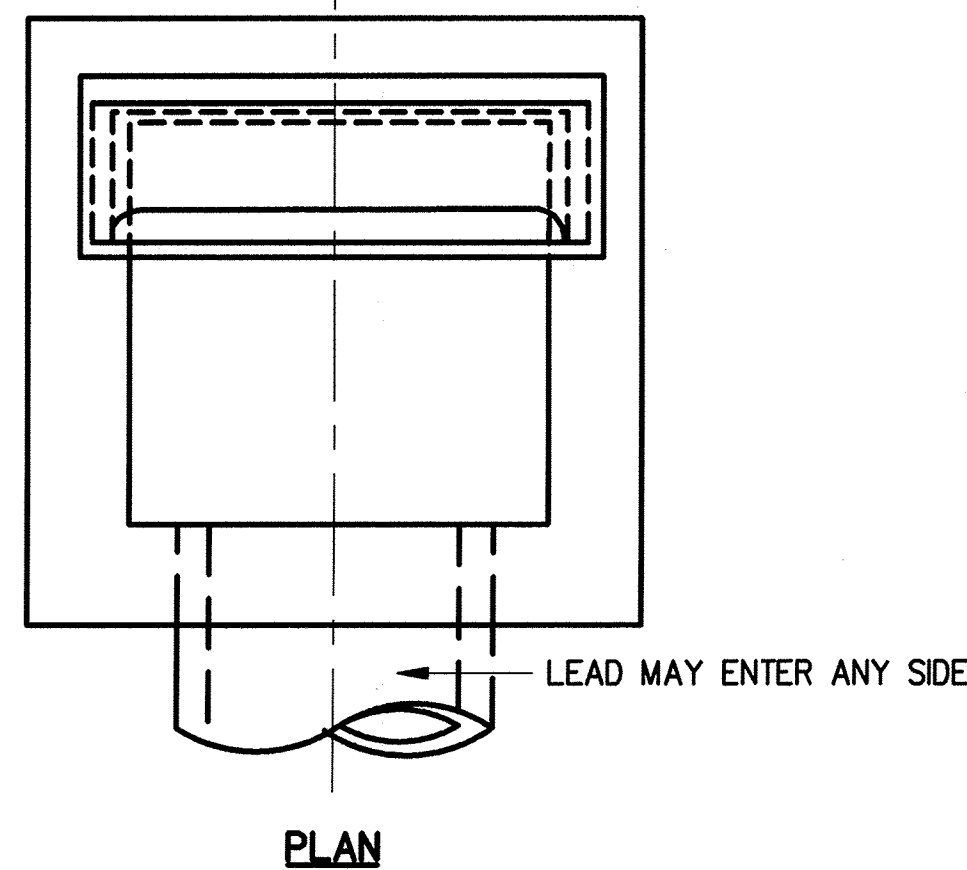
\* DOUBLE GRATE IN SUMP AREAS ONLY.  
THIS SECTION TO BE USED IN CONCRETE PAVING.  
IN ASPHALT PAVING, PLACE EXPANSION JOINT IN CURB AND GUTTER AT ENDS OF TOTAL STRUCTURE.



ALL PRE-CAST INLET JOINTS SHALL HAVE BUTYL ROPE INSTALLED AND GROUTING SHALL BE PLACED INSIDE THE INLET AT EACH JOINT.

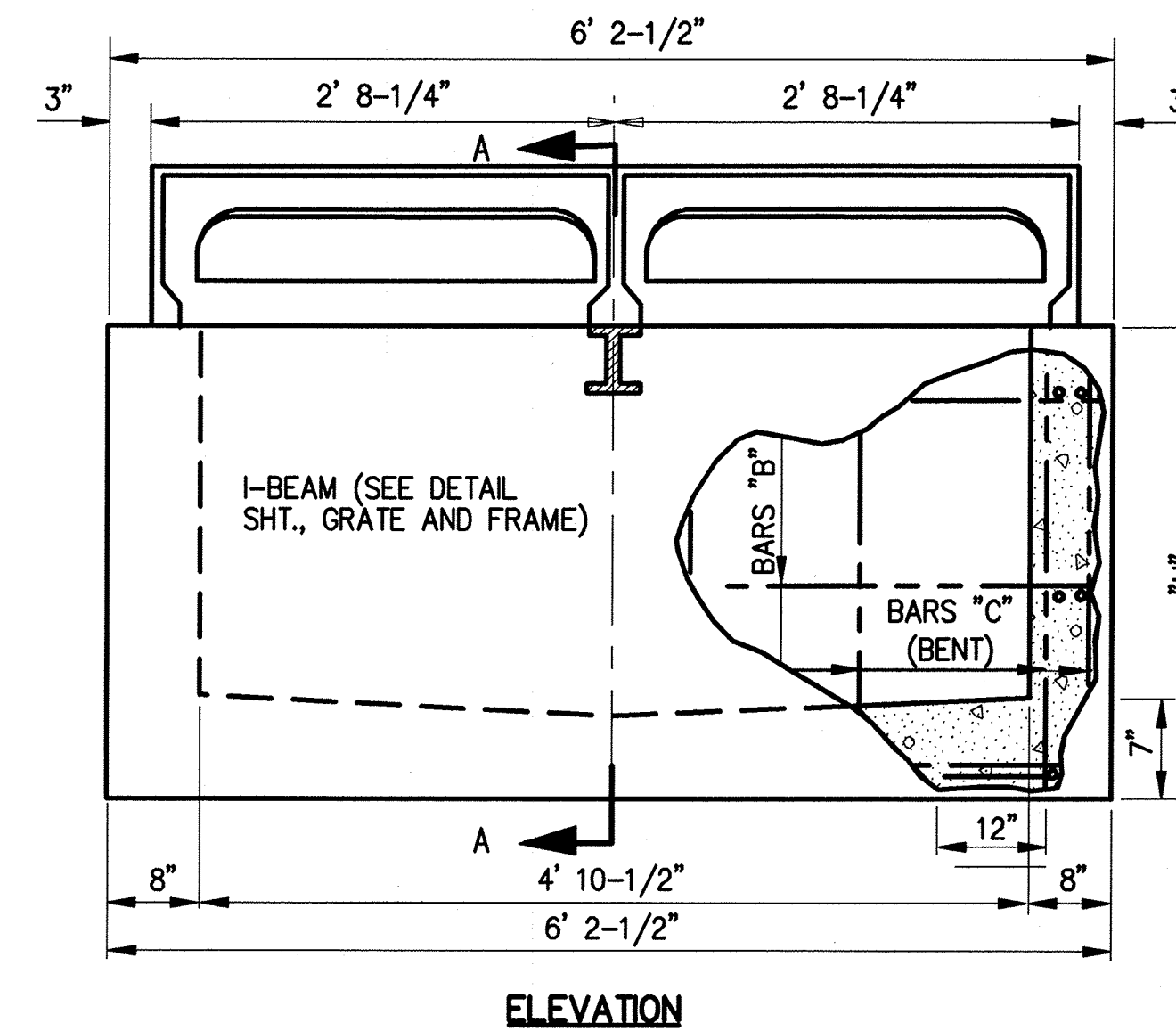
CURB INLETS SHALL BE PLACED ON UPSTREAM SIDE OF GRATE INLETS UNLESS OTHERWISE SPECIFIED.

CONCRETE TROUGH FOR CURB INLETS AND CONCRETE STORM SEWER INLETS SHALL BE CONSTRUCTED AS TWO PARTS WITH OMNI-FLEX.



PLAN VIEW OF THROAT CONNECTION

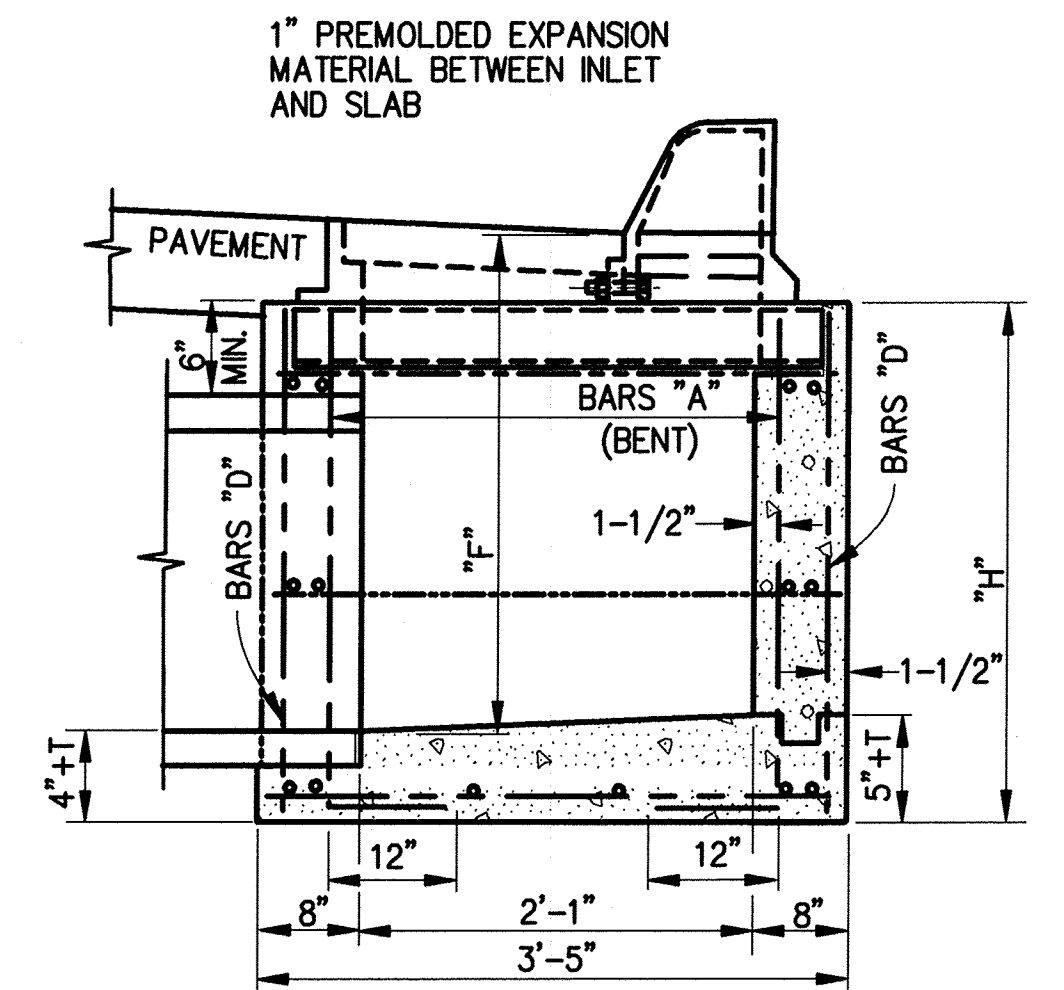
ADDITIONAL CURB INLETS



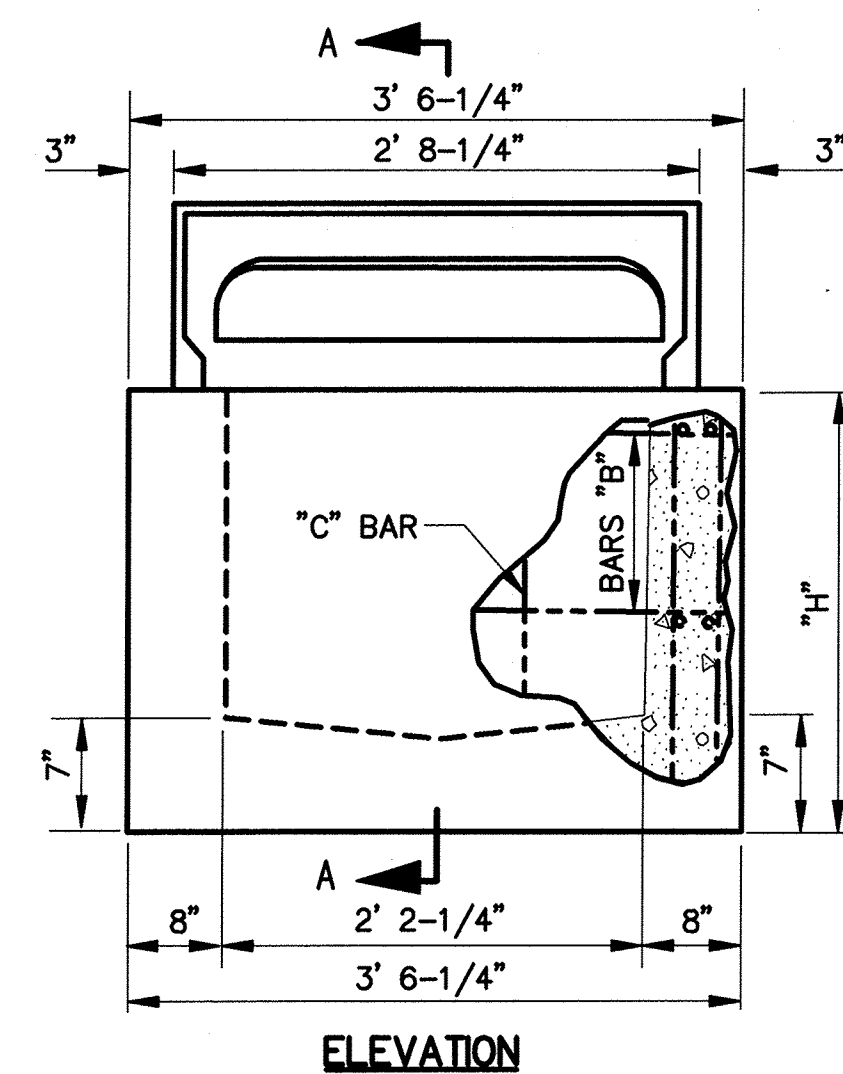
ELEVATION

DOUBLE GRATE AND CURB INLET

DESIGN - 2



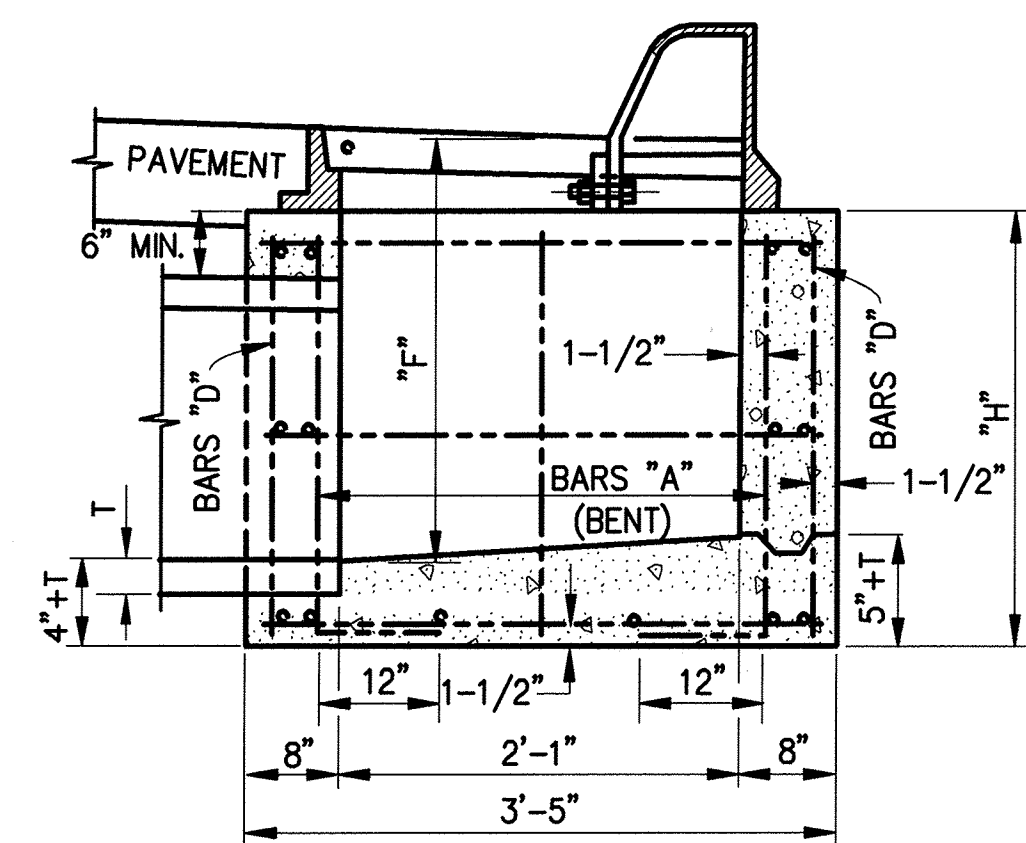
SECTION A-A



ELEVATION

SINGLE GRATE AND CURB INLET

DESIGN - 1



SECTION A-A

BAR LIST FOR SINGLE GRATE AND CURB INLET			
SIZE OF LEAD	H MINIMUM	F MINIMUM	
15"	2'-6"	2.42 FT.	
18"	2'-9"	2.67 FT.	
24"	3'-7"	3.50 FT.	
BARS "A"	BARS "B"	BARS "C"	BARS "D"
SIZE	SIZE	SIZE	SIZE
#4 X H+8"	#4 X 3'-2"	#4 X H+8"	#4 X H-4"

BAR LIST FOR DOUBLE GRATE AND CURB INLET			
SIZE OF LEAD	H MINIMUM	F MINIMUM	
18"	2'-9"	2.67 FT.	
24"	3'-7"	3.50 FT.	
30"	4'-1"	4'-0"	
BARS "A"	BARS "B"	BARS "C"	BARS "D"
SIZE	SIZE	SIZE	SIZE
#4 X H+8"	#4 X 5'-0"	#4 X H+8"	#4 X H-4"

\* FOR INDUSTRIAL AND ARTERIAL STREETS

GENERAL NOTES

- (a) WHEN THE INLET IS BUILT IN EXISTING PAVEMENT, THE APRON AROUND THE INLET SHALL BE OF THE SIZE SHOWN IN THE PLAN ON THIS SHEET, AND BUILT OF P.C. CONCRETE TO A MINIMUM 8" THICKNESS.
- (b) THERE WILL BE NO DEDUCTION OF PAYMENT FOR CONCRETE CURB AND GUTTER FOR THE LENGTH OR AREA OCCUPIED BY THE CONSTRUCTION OF CAST IRON CURB INLETS OR CAST IRON CURB INLET FRAME AND GRATE.
- RUBBER COATED REINFORCED STEEL STEPS SHALL BE PLACED AT HEADERS IN ALL INLETS 3' OR MORE IN DEPTH. COST OF STEPS SHALL BE INCLUDED IN THE PRICE BID FOR INLET.
- GRATING AND FRAMES TO BE USED IN THIS INLET ARE SHOWN ON THE STANDARD DRAWING DESIGNATED AS "STANDARD STORM SEWER GRATES AND FRAMES."
- THE STANDARD DRAWING DESIGNATION NO., DESIGN NO., AND NUMBER OF ADDITIONAL OPENINGS SHALL BE INDICATED ON THE PLANS.
- COST OF STRUCTURAL STEEL I-BEAMS AND ANGLE IRON TO BE INCLUDED IN THE PRICE BID FOR INLET. ANGLE IRON SHALL CONFORM TO ASTM-A7 OR A36.
- CASTING SHALL CONFORM TO ASTM SPECIFICATION FOR GREY-IRON CASTINGS, SERIAL DESIGNATION A-48-76 CLASS 30-B OR BETTER.
- NO WORDING OR MARKINGS OF ANY KIND OTHER THAN THOSE SHOWN ON THE PLANS WILL BE PERMITTED ON THESE CASTINGS.
- ALL NUTS AND BOLTS REQUIRED FOR THESE STRUCTURES SHALL BE CADMIUM PLATED GALVANIZED.
- CAST IRON CURBS TO BE USED ARE SHOWN ON STANDARD DRAWING FOR CAST IRON CURB.

REVISION	BY	DATE

*[Signature]*  
CITY ENGINEER

*[Signature]*  
DESIGN MANAGER

CITY OF TULSA, OKLAHOMA  
ENGINEERING SERVICES DEPARTMENT

STANDARD REINFORCED CONCRETE  
STORMWATER INLETS

DATE: OCTOBER 2013

STD. 764