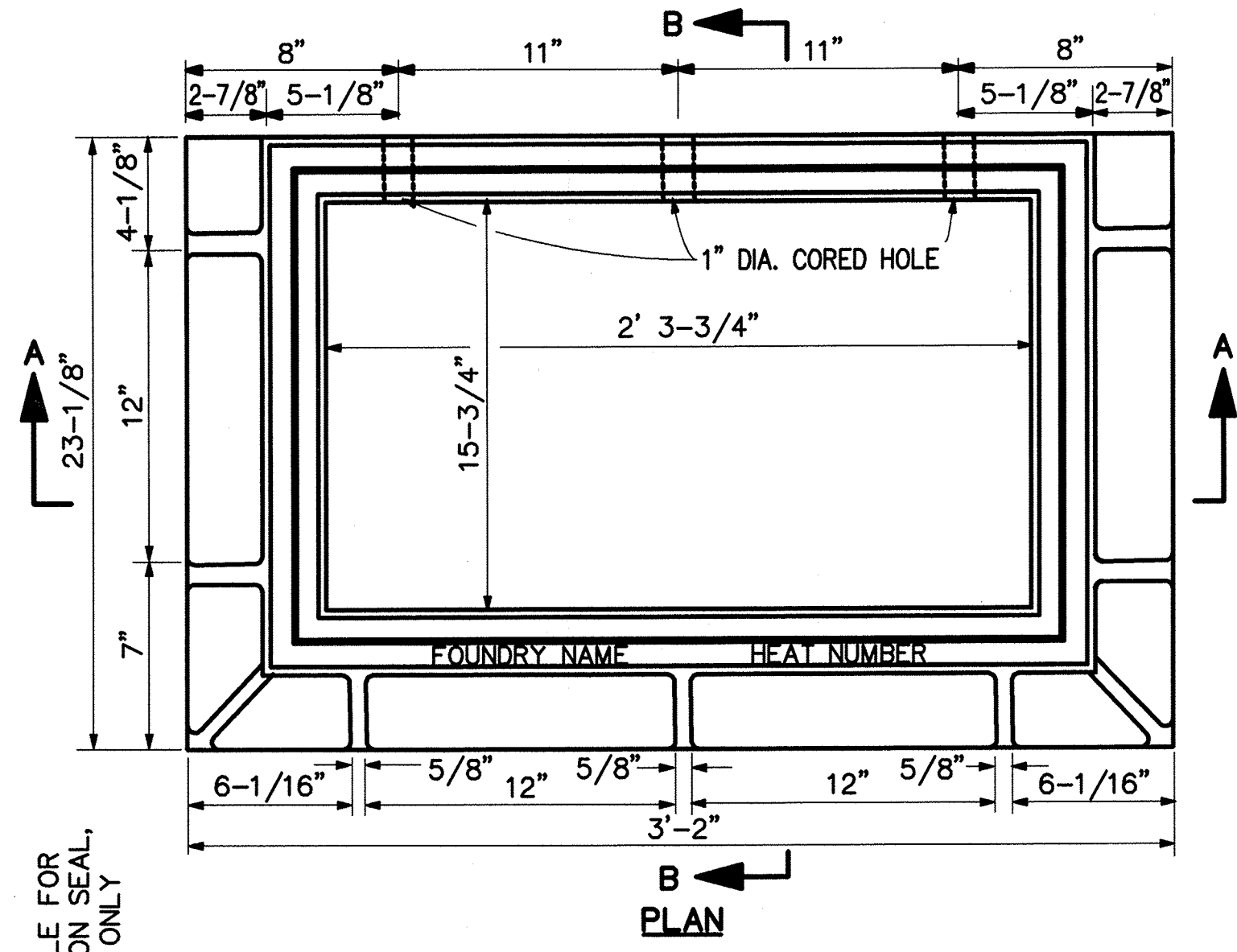
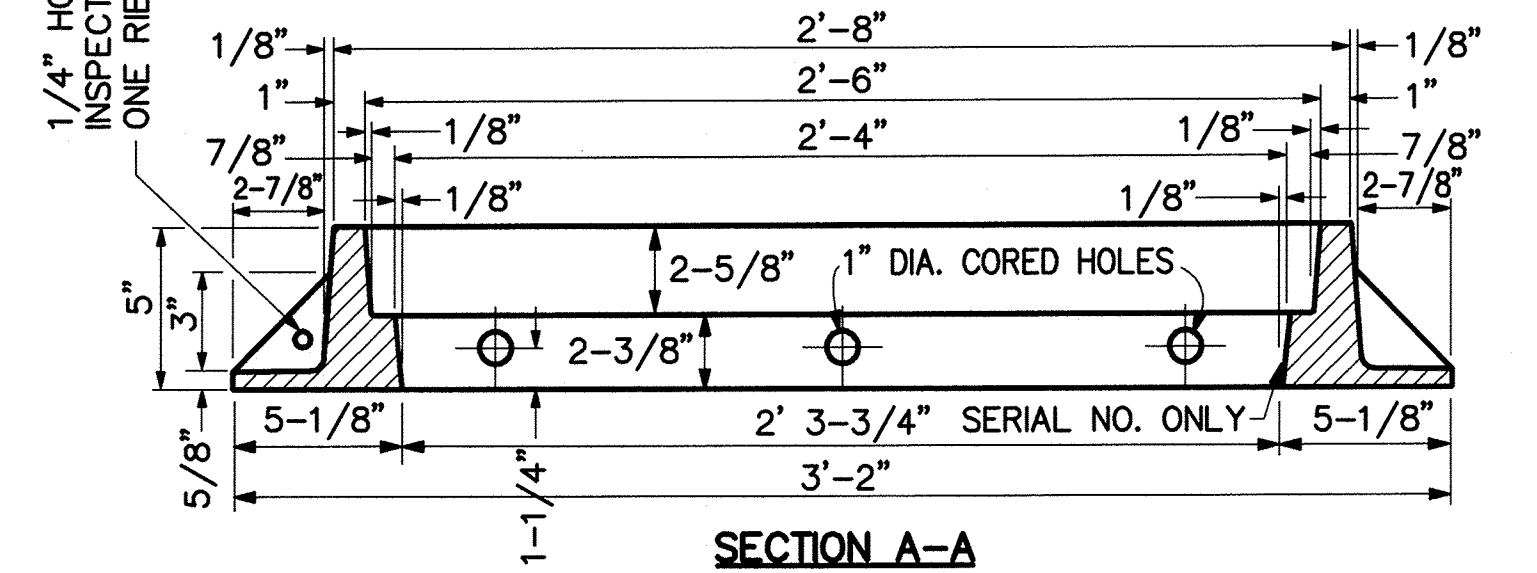


PATH NAME: /E1/PARTS/STD-DGN-STD-765-STD-SIMWTR-FRAMES.DGN SBW 12/27/2012

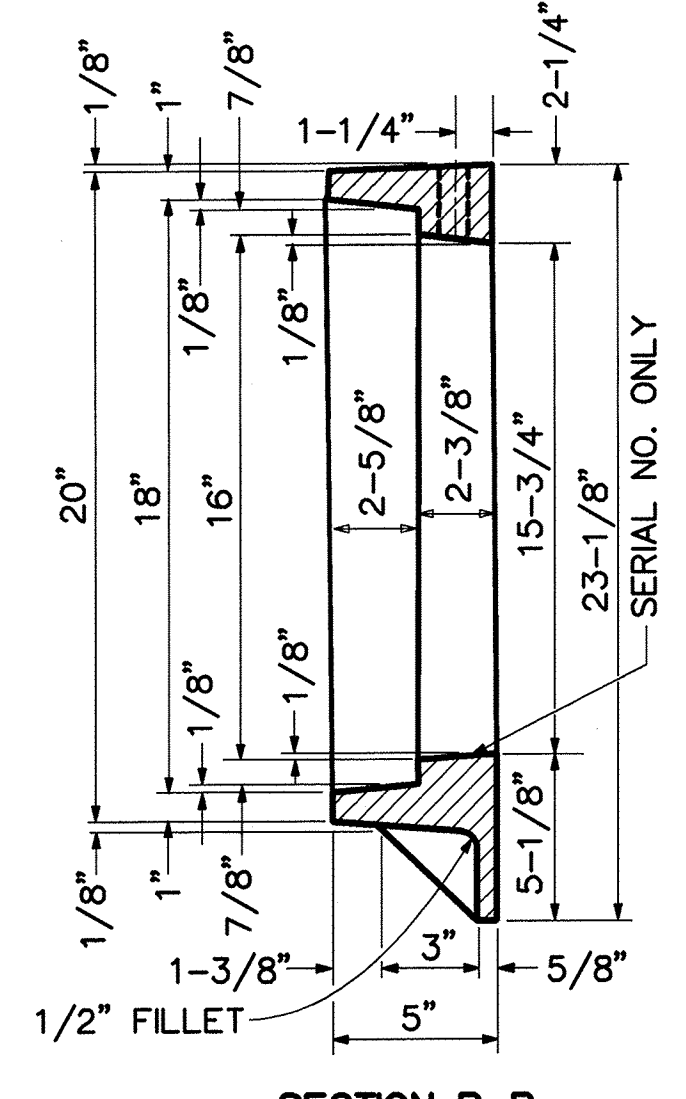


PLAN



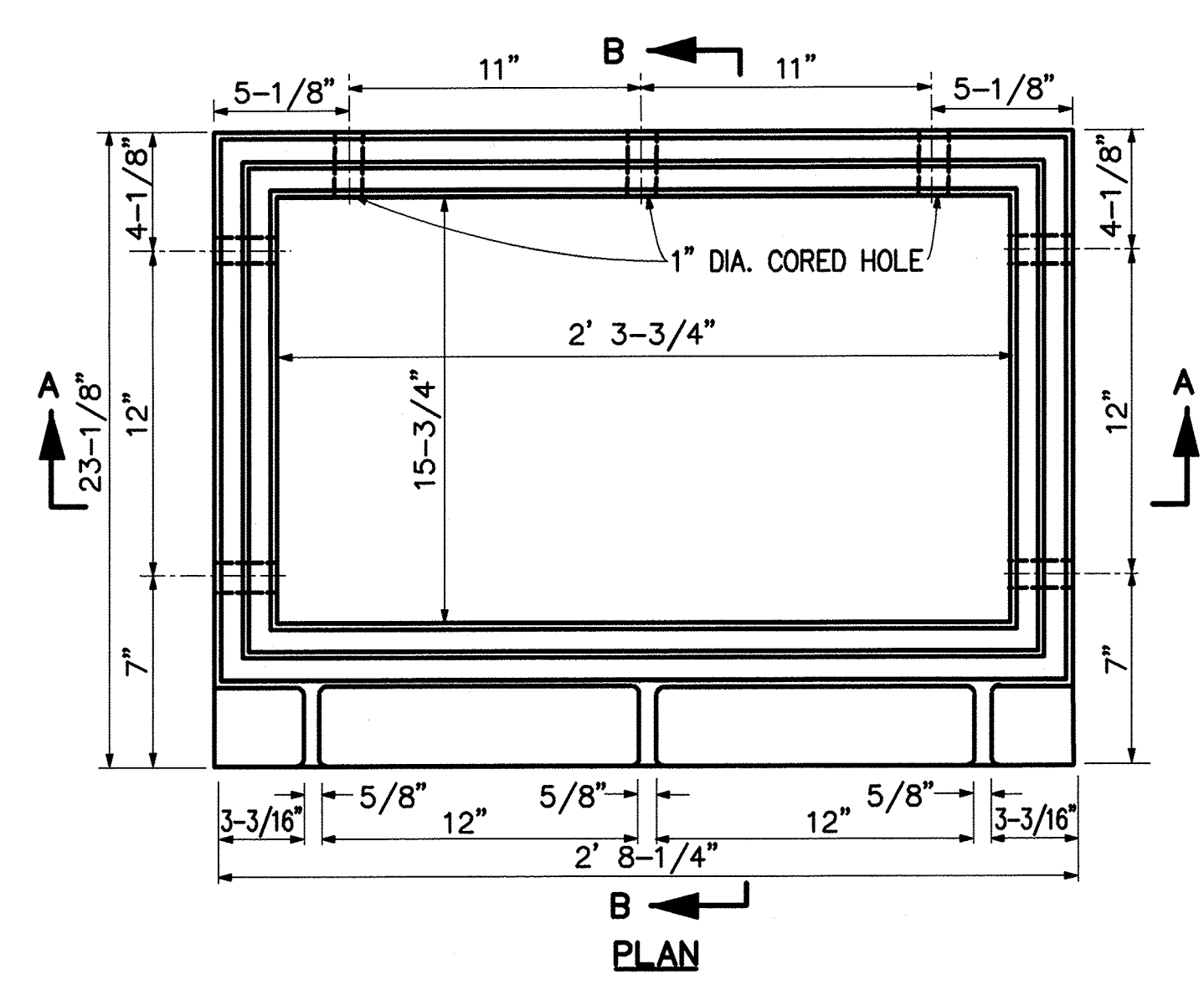
SECTION A-A

STORM SEWER INLET FRAME TYPE "A"
FOR INLET DESIGN NO. 1
FOR USE WITH TYPE "A" GRATE

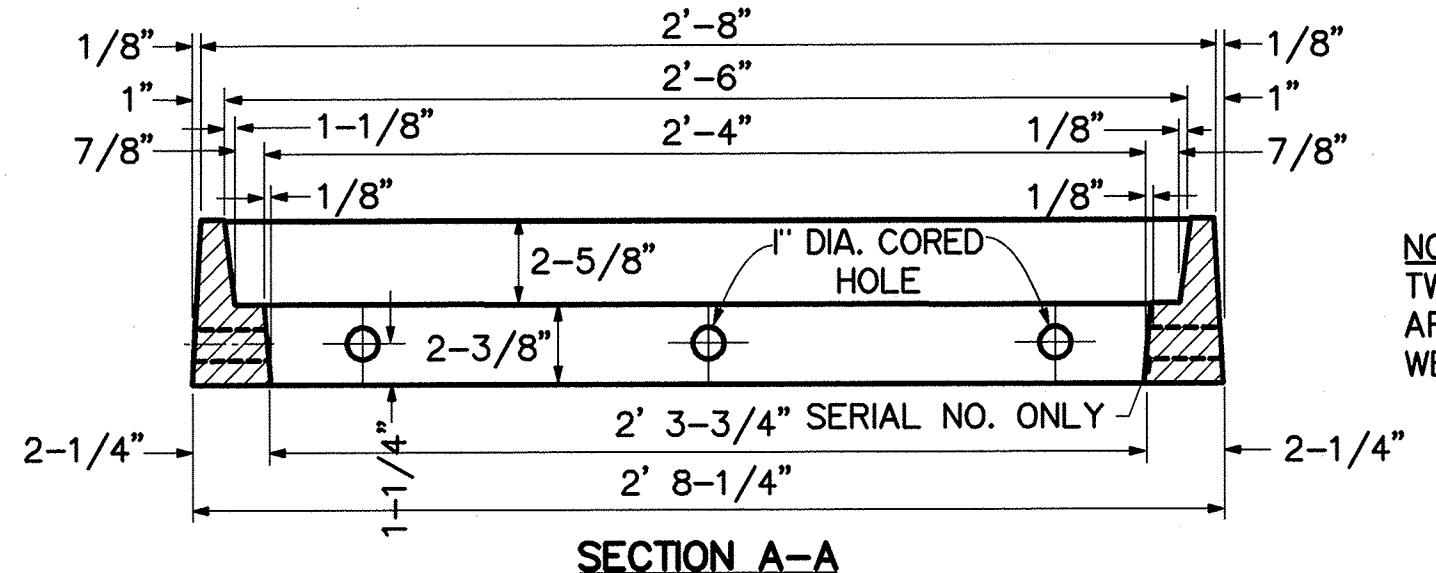


SECTION B-B

NOTE:
ONLY ONE TYPE A FRAME IS REQUIRED FOR
INLET DESIGN NO. 1
WEIGHT - 252 LBS.



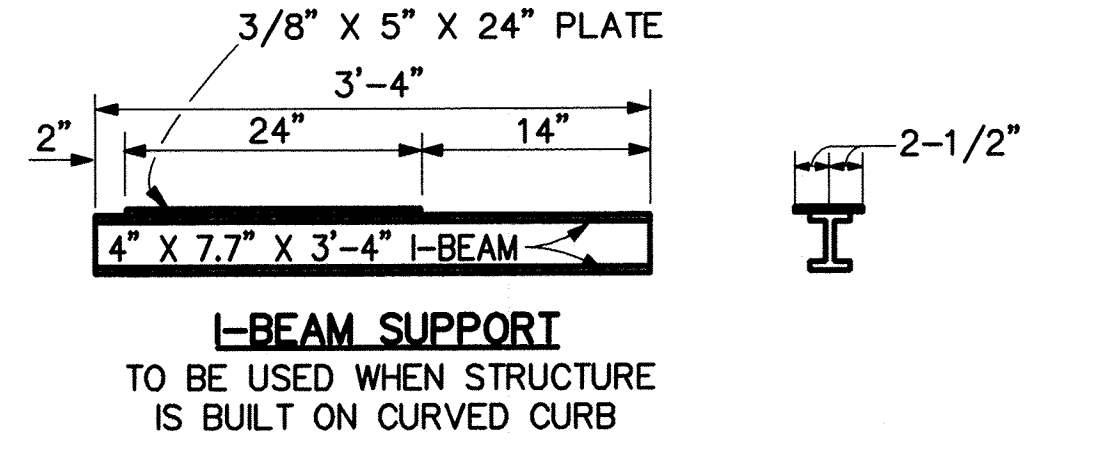
PLAN



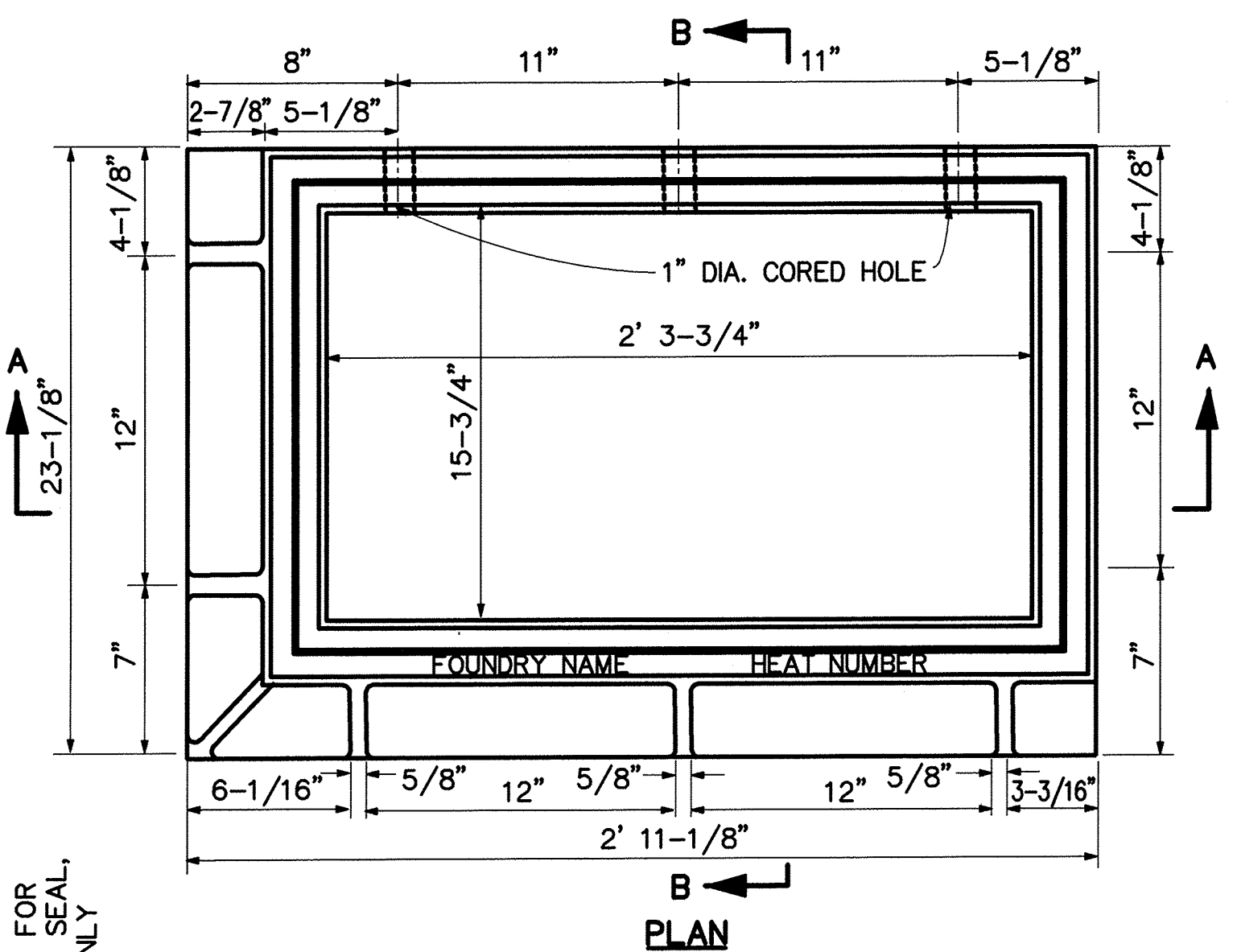
SECTION A-A

STORM SEWER INLET FRAME TYPE "C"
FOR INLET DESIGN NO. 3
FOR USE WITH TYPE "A" GRATE

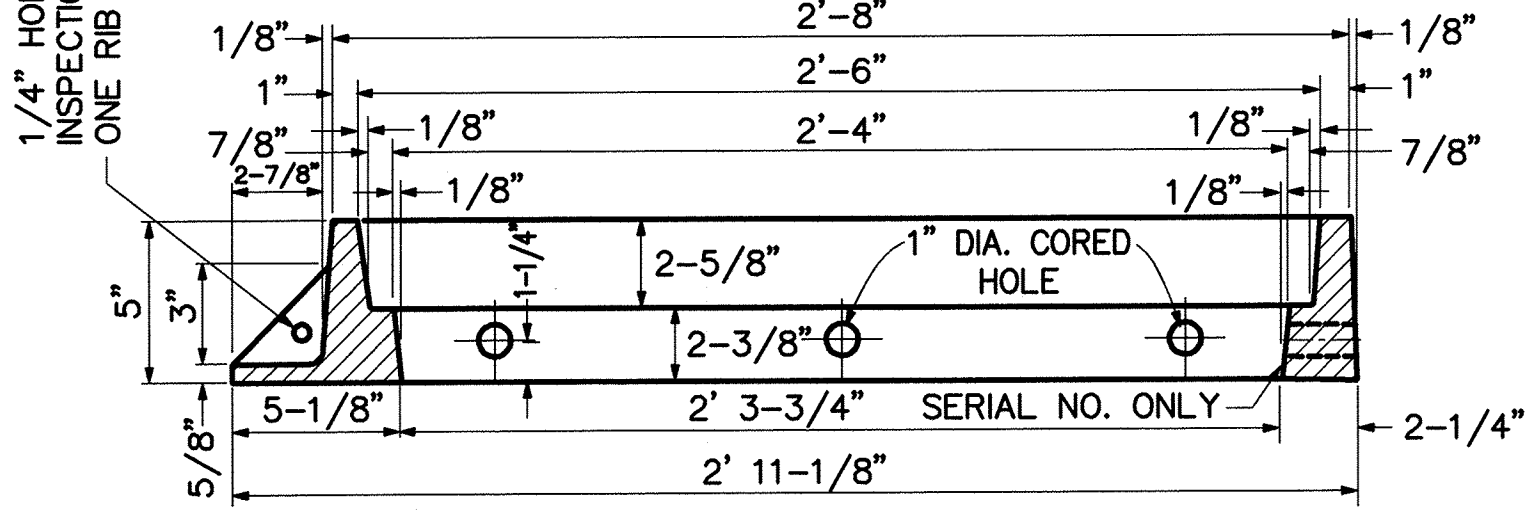
NOTE:
TWO TYPE "B" FRAMES AND ONE TYPE "C" FRAME
ARE REQUIRED FOR INLET DESIGN 3
WEIGHT - 217 LBS.



I-BEAM SUPPORT
TO BE USED WHEN STRUCTURE
IS BUILT ON CURVED CURB

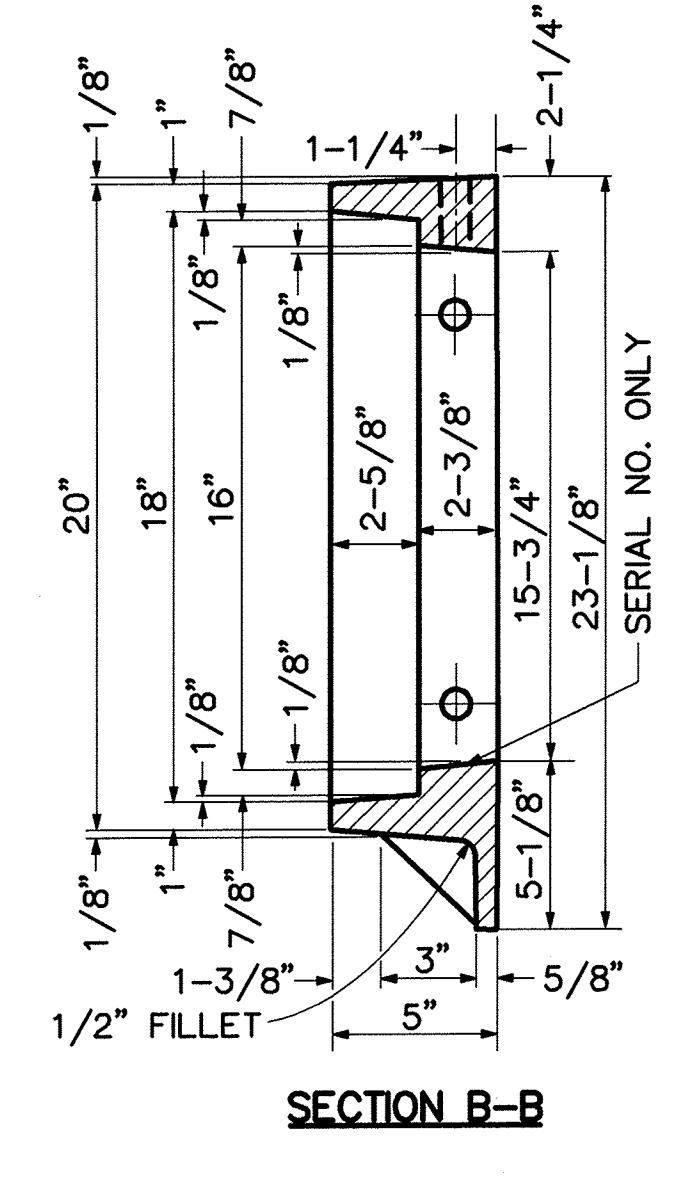


PLAN



SECTION A-A

STORM SEWER INLET FRAME TYPE "B"
FOR INLET DESIGN NO. 2 AND 3
FOR USE WITH TYPE "A" GRATE



SECTION B-B

NOTE:
MAKE ONE FRAME AS SHOWN AND ONE
REVERSED FOR DOUBLE FRAMES.
WEIGHT - 234 LBS.

GENERAL NOTES

1. CASTINGS FOR FRAME SHALL CONFORM TO THE ASTM SPECIFICATIONS FOR GRAY-IRON CASTINGS, SERIAL DESIGNATION A-48-76 CLASS 30-B OR BETTER.
2. NO WORDING OR MARKING OF ANY KIND OTHER THAN THOSE SHOWN ON THE PLAN WILL BE PERMITTED ON THESE CASTINGS.
3. ALL NUTS AND BOLTS SHALL BE CADMIUM PLATED OR GALVANIZED.
4. IF BUILT ON A STRAIGHT CURB, THE FRAMES FOR INLET DES. NO. 2 REQUIRES TWO 3/4" X 5" BOLTS WITH NUTS TO SECURE THE SIDES OF THE FRAMES TOGETHER AND ONE I-BEAM SUPPORT (4" X 7.7" X 3'-4").
5. IF BUILT ON A CURVED CURB, THE FRAMES FOR INLET DES. NO. 2 REQUIRE ONE 3/4" X 5" AND ONE 3/4" X 6" OR 6 1/2" BOLTS WITH NUTS TO SECURE THE SIDES OF THE FRAMES TOGETHER AND ONE I-BEAM SUPPORT (4" X 7.7" X 3'-4") WITH A 5" X 24" X 3/8" PLATE TO BE SPOT WELDED AT 4 PLACES ON EACH SIDE OF THE I-BEAM FLANGE.
6. WHEN TYPE C FRAMES ARE USED IN STRAIGHT CURB, THE NUMBER OF 3/4" X 5" BOLTS REQUIRED IS TWICE THE NUMBER OF "C" FRAMES PLUS 2. THE NUMBER OF I-BEAM SUPPORTS REQUIRED IS EQUAL TO THE NUMBER OF "C" FRAMES.
7. COST OF STRUCTURAL STEEL I-BEAMS, ANGLE IRON, AND NUTS AND BOLTS TO BE INCLUDED IN THE PRICE BID FOR INLET.
8. STRUCTURAL STEEL I-BEAMS AND ANGLES SHALL HAVE TWO SHOP COATS RUST INHIBITIVE PRIMER. COST TO BE INCLUDED IN PRICE BID FOR INLET.

TOLERANCES	INCHES	
	PLUS	MINUS P
DIAMETER OF ROUND LIDS AND FRAME RECESS FOR ROUND LIDS	1/16"	1/16"
LENGTH AND WIDTH OF SQUARE OR RECTANGULAR LIDS	1/16"	1/8"
LENGTH AND WIDTH OF FRAME RECESS FOR SQUARE OR RECTANGULAR LIDS	1/8"	1/16"
METAL THICKNESS	1/16"	1/16"
ALL OTHER DIMENSIONS	1/8"	1/8"

REVISION	BY	DATE

[Signature]
CITY ENGINEER

[Signature]
DESIGN MANAGER

CITY OF TULSA, OKLAHOMA
ENGINEERING SERVICES DEPARTMENT

STANDARD STORMWATER FRAMES

DATE: OCTOBER 2013

STD. 765