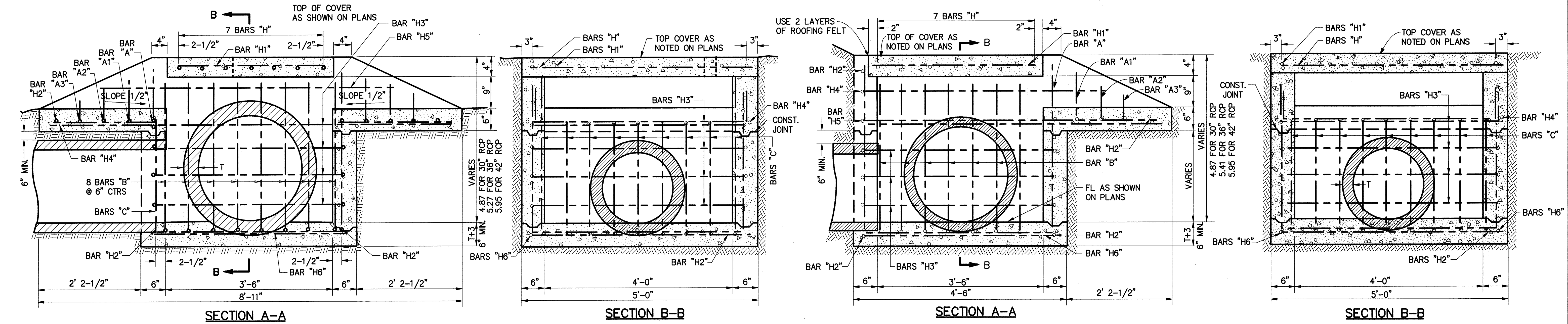
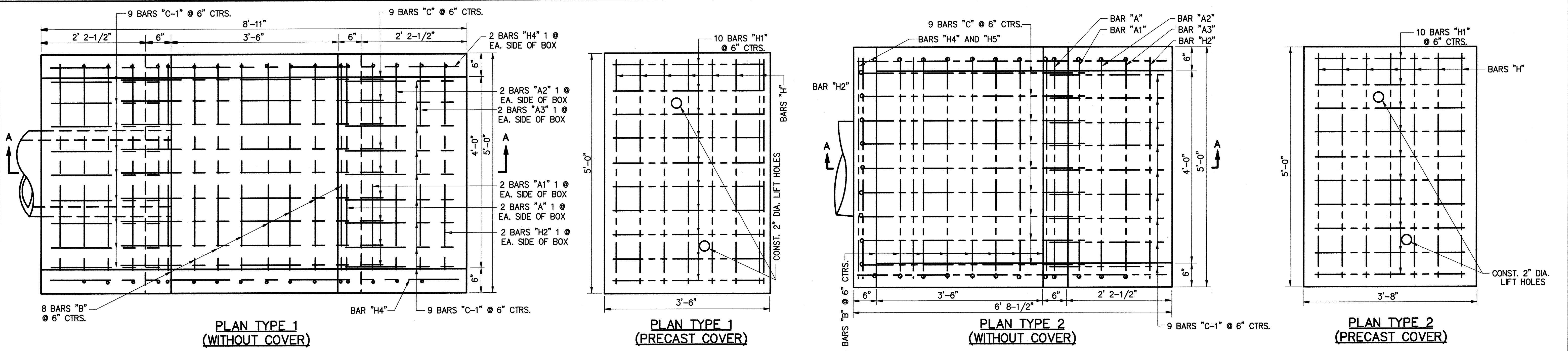


PATH NAME: /E1/PARTS/STD/DGN/STD/771-STD-DROP-INLET-30-42.DGN LFW 05/16/2012



NOTE:
REINFORCING STEEL TO BE CUT AND/OR BENT TO CLEAR PIPES IN THE FIELD.

BAR LIST

DESIGN NO. 1										
		30" RCP			36" RCP			42" RCP		
MARK	SIZE	QUAN.	SHAPE	LENGTH	QUAN.	SHAPE	LENGTH	QUAN.	SHAPE	LENGTH
A	3/8"	2	BENT	6'-7"	2	BENT	6'-7"	2	BENT	6'-7"
A1	3/8"	2	BENT	6'-2"	2	BENT	6'-2"	2	BENT	6'-2"
A2	3/8"	2	BENT	5'-9"	2	BENT	5'-9"	2	BENT	5'-9"
A3	3/8"	2	BENT	5'-4"	2	BENT	5'-4"	2	BENT	5'-4"
B	3/8"	8	BENT	13'-5"	8	BENT	14'-7"	8	BENT	15'-7"
C	3/8"	9	BENT	12'-11"	9	BENT	14'-1"	9	BENT	15'-1"
C1	3/8"	18	STR.	2'-4"	18	STR.	2'-4"	18	STR.	2'-4"
H	1/2"	7	STR.	4'-8"	7	STR.	4'-8"	7	STR.	4'-8"
H1	1/2"	10	STR.	3'-1"	10	STR.	3'-1"	10	STR.	3'-1"
H2	3/8"	4	STR.	4'-7"	4	STR.	4'-7"	4	STR.	4'-7"
H3	3/8"	7	BENT	17'-11"	7	BENT	17'-11"	7	BENT	17'-11"
H4	3/8"	2	STR.	8'-6"	2	STR.	8'-6"	2	STR.	8'-6"
H5	3/8"	2	STR.	6'-0"	2	STR.	6'-0"	2	STR.	6'-0"
H6	3/8"	2	STR.	4'-1"	2	STR.	4'-1"	2	STR.	4'-1"

QUANTITIES			
ITEM	30" RCP	36" RCP	42" RCP
CLASS "A" CONCRETE	2.49	2.65	2.80
REINFORCING STEEL	228	241	260
QUANTITIES PER FT. OF VERTICAL HEIGHT CLASS "A" CONC. 0.31			
REINFORCING STEEL 26.26 LBS. PER C.Y.			

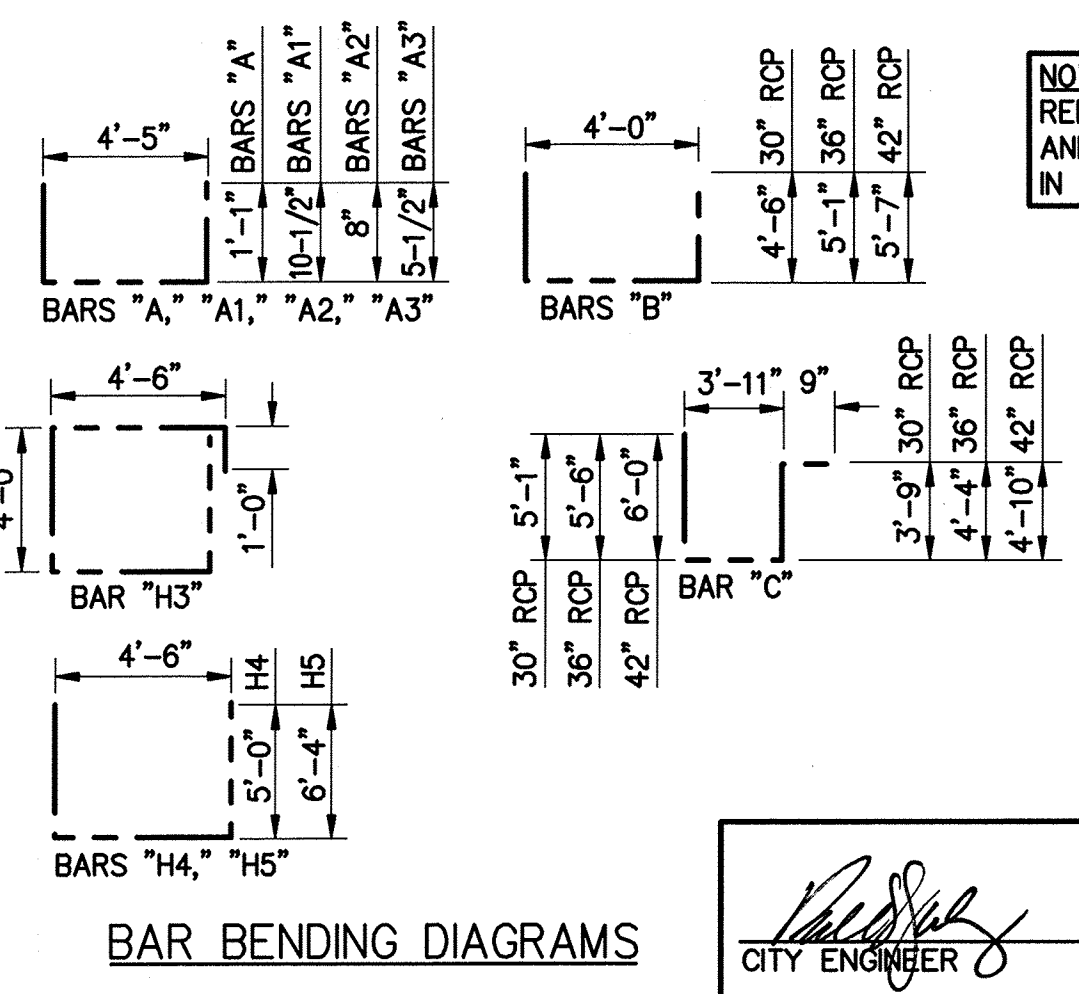
GENERAL NOTES

- ALL CONSTRUCTION SHALL BE IN ACCORDANCE WITH CITY OF TULSA STANDARD SPECIFICATIONS.
- ALL EXPOSED CONC. SURFACES TO BE CARBORUNDUM FINISHED.
- ALL EXPOSED CONC. EDGES SHALL HAVE A 1/2" CHAMFER.
- ALL REINFORCING STEEL TO BE DEFORMED BARS.
- FOR EACH FT. ADDITIONAL HEIGHT, ADD 2" TO BARS B AND C, ADD BARS H3 AT 6" C/C.
- REINFORCED CONC. PIPES SHALL CONFORM TO THE REQUIREMENTS OF ASTM C-76-596 (AASHTO M-170-60) CLASS III UNLESS OTHERWISE DESIGNATED.
- CLASS A CONC. QUANTITIES ARE COMPUTED USING WALL THICKNESS TAKEN FROM WALL B COLUMN OF ASTM AND AASHTO TABLES.

BAR LIST

DESIGN NO. 2										
		30" RCP			36" RCP			42" RCP		
MARK	SIZE	QUAN.	SHAPE	LENGTH	QUAN.	SHAPE	LENGTH	QUAN.	SHAPE	LENGTH
A	3/8"	1	BENT	6'-7"	1	BENT	6'-7"	1	BENT	6'-7"
A1	3/8"	1	BENT	6'-2"	1	BENT	6'-2"	1	BENT	6'-2"
A2	3/8"	1	BENT	5'-9"	1	BENT	5'-9"	1	BENT	5'-9"
A3	3/8"	1	BENT	5'-4"	1	BENT	5'-4"	1	BENT	5'-4"
B	3/8"	8	BENT	13'-0"	8	BENT	14'-2"	8	BENT	15'-2"
C	3/8"	9	BENT	13'-6"	9	BENT	14'-6"	9	BENT	15'-6"
C1	3/8"	9	STR.	2'-4"	9	STR.	2'-4"	9	STR.	2'-4"
H	1/2"	7	STR.	4'-8"	7	STR.	4'-8"	7	STR.	4'-8"
H1	1/2"	10	STR.	3'-3"	10	STR.	3'-3"	10	STR.	3'-3"
H2	3/8"	4	STR.	4'-7"	4	STR.	4'-7"	4	STR.	4'-7"
H3	3/8"	7	BENT	17'-11"	7	BENT	17'-11"	7	BENT	17'-11"
H4	3/8"	1	BENT	14'-7"	1	BENT	14'-7"	1	BENT	14'-7"
H5	3/8"	1	BENT	17'-2"	1	BENT	17'-2"	1	BENT	17'-2"
H6	3/8"	2	STR.	4'-1"	2	STR.	4'-1"	2	STR.	4'-1"

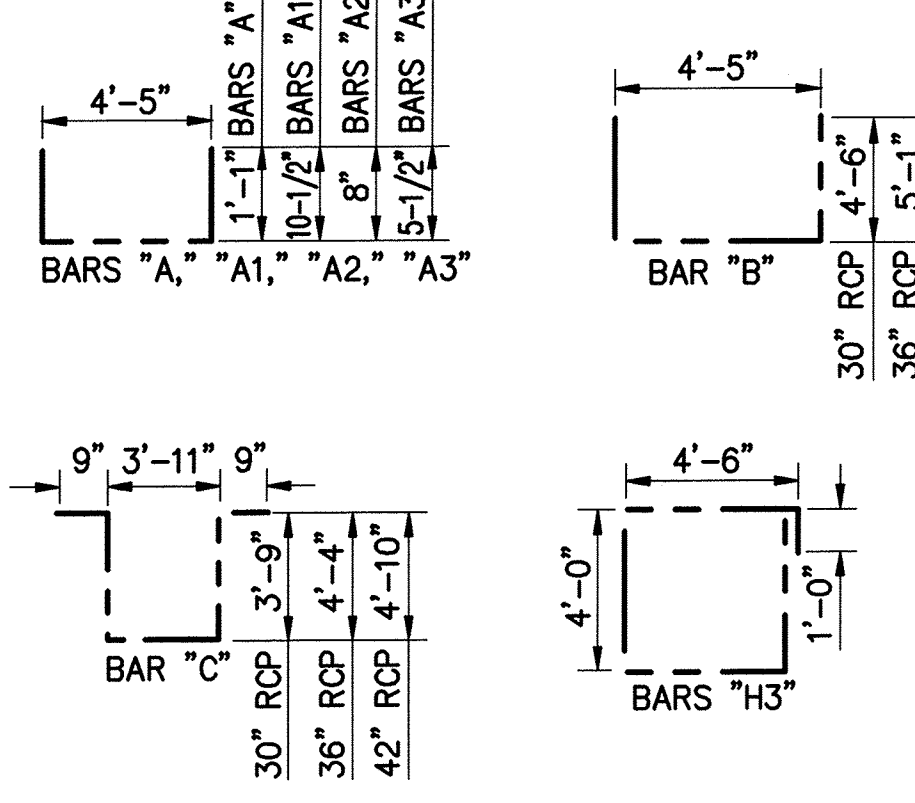
QUANTITIES			
ITEM	30" RCP	36" RCP	42" RCP
CLASS "A" CONCRETE	2.32	2.49	2.66
REINFORCING STEEL	262	278	294
QUANTITIES PER FT. OF VERTICAL HEIGHT CLASS "A" CONC. 0.31			
REINFORCING STEEL 26.26 LBS. PER C.Y.			



NOTE:
REINFORCING STEEL TO BE CUT AND/OR BENT TO CLEAR PIPES IN THE FIELD.



BAR BENDING DIAGRAMS



BAR BENDING DIAGRAMS

REVISION	BY	DATE

[Signature]
CITY ENGINEER

[Signature]
DESIGN MANAGER

CITY OF TULSA, OKLAHOMA
ENGINEERING SERVICES DEPARTMENT

STANDARD DROP INLET
30", 36", AND 42"
WITH NO ACCESS MANHOLE

DATE: OCTOBER 2013

STD. 771