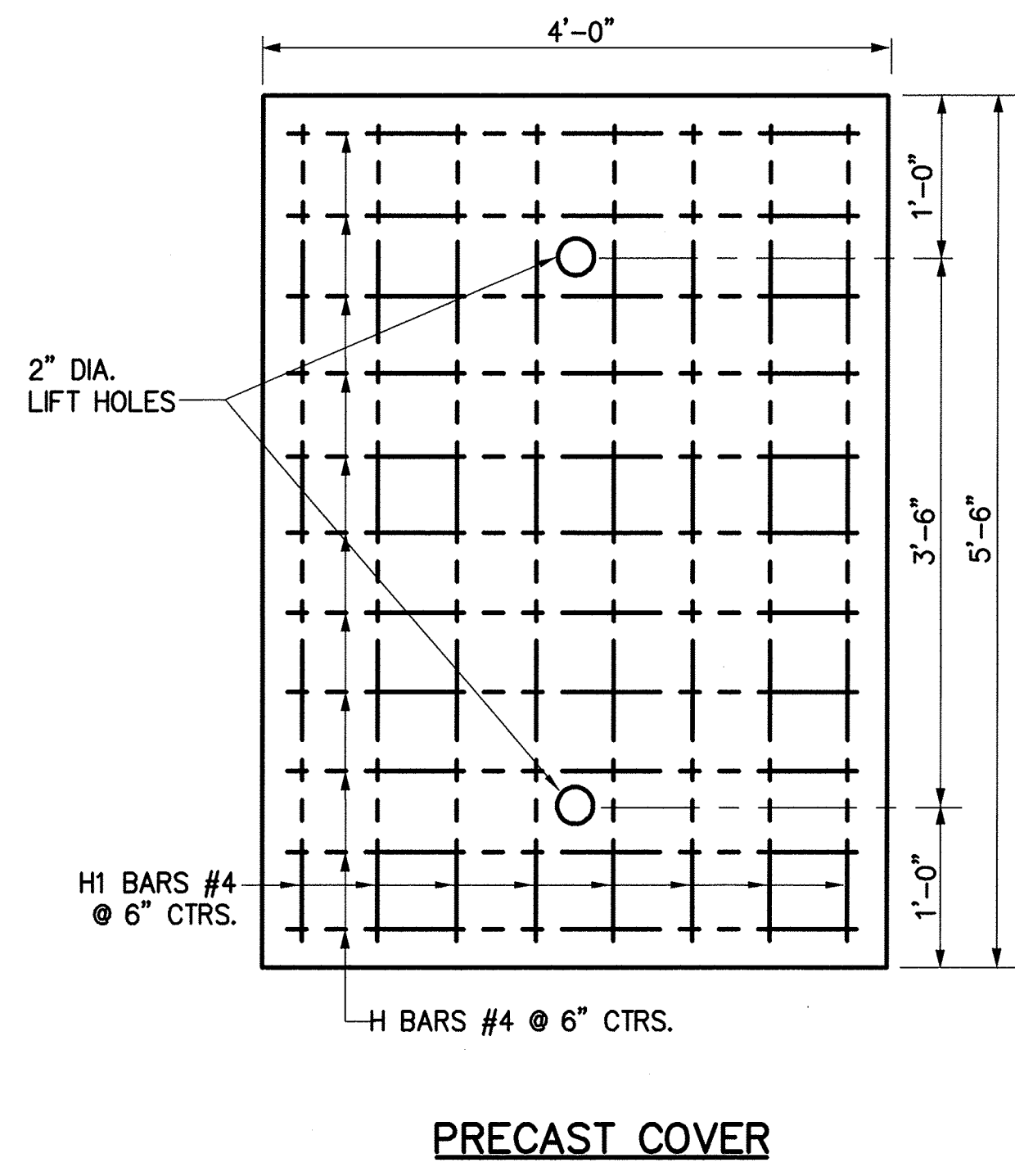
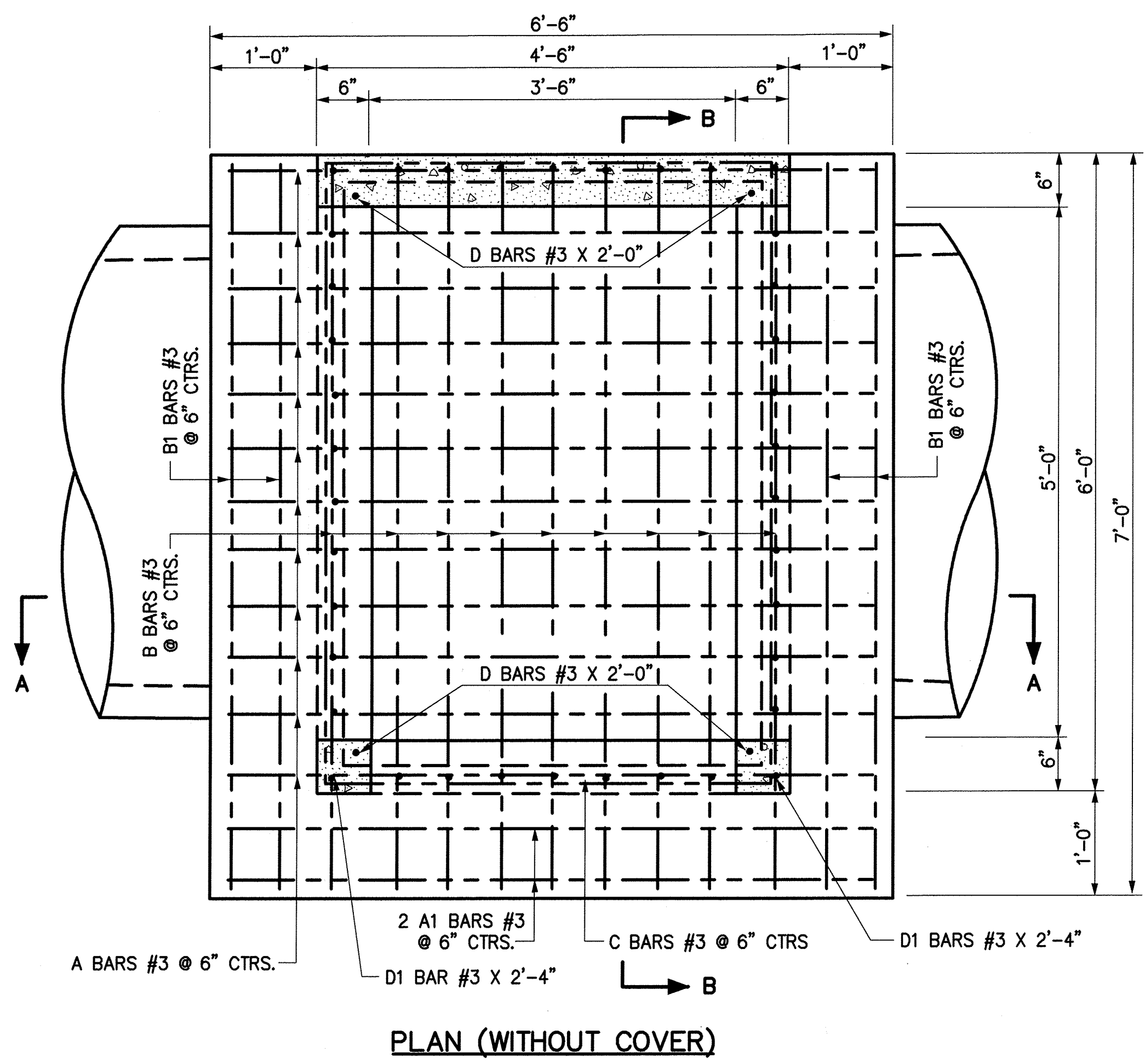


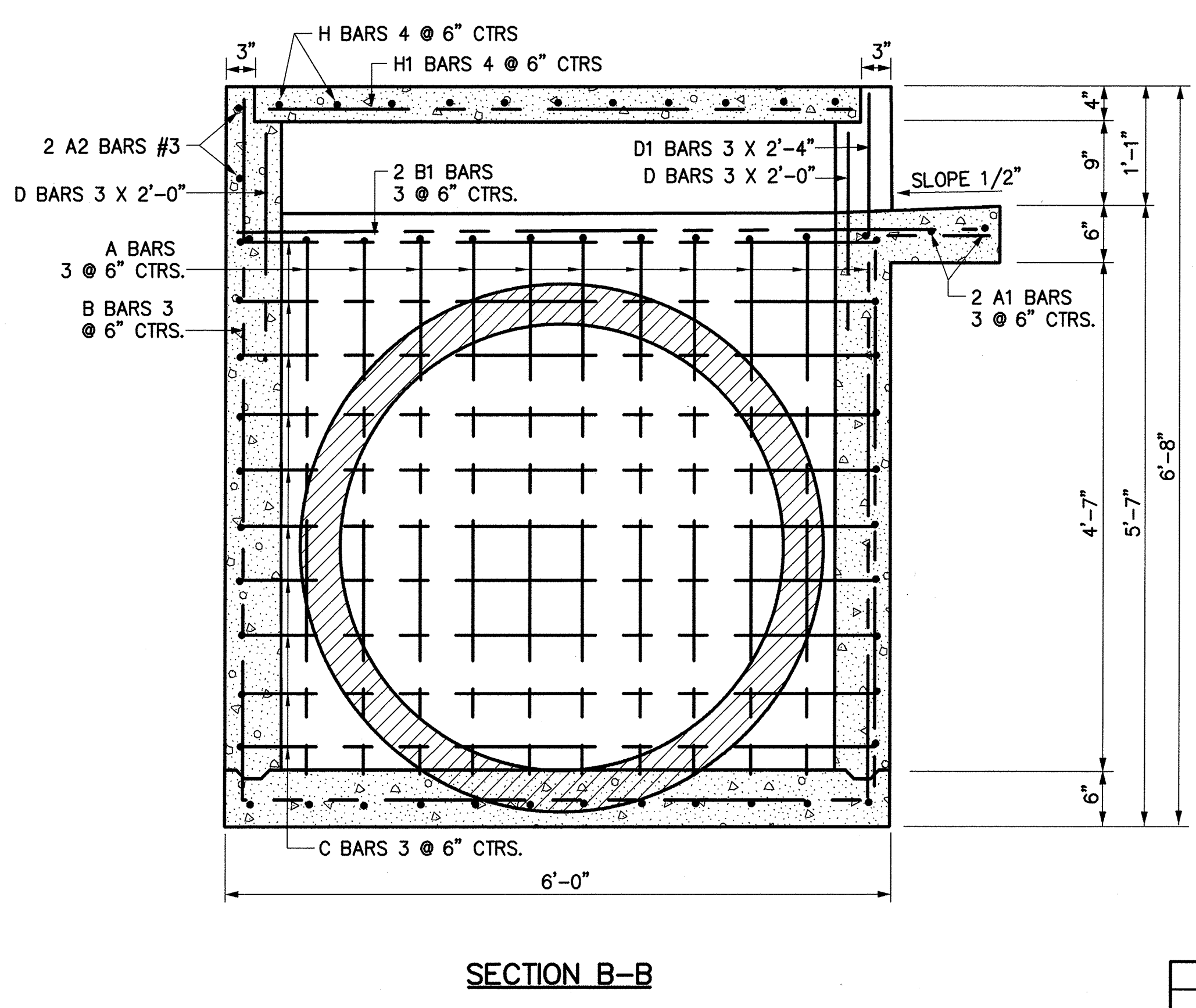
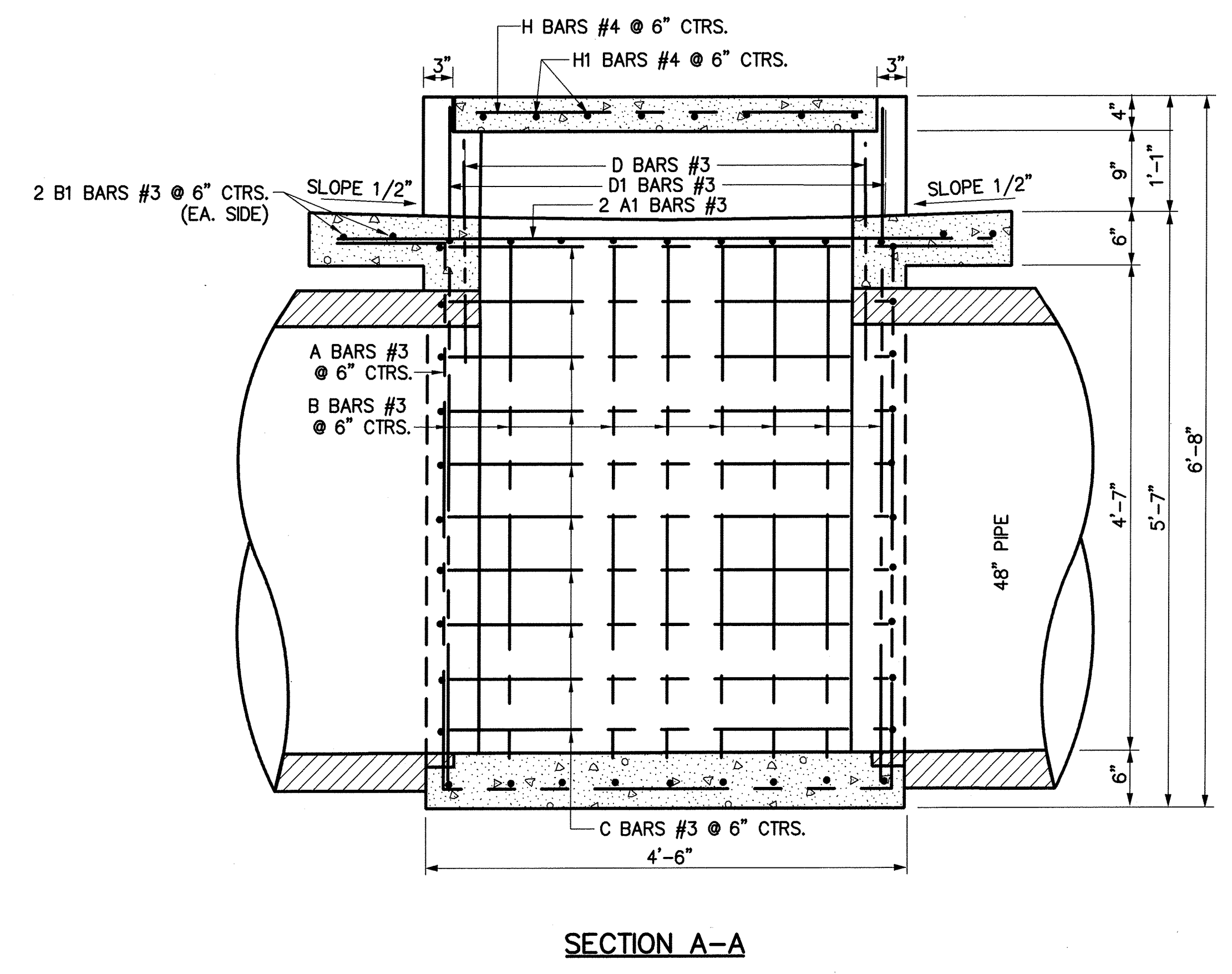
PATH NAME: /E1/PARTS/STD/DGN/STD/773-STD-3WAY-DROP-INLET-48.DGN LFM 05/16/2012



REINFORCING STEEL SCHEDULE				
BARS LIST				
MARK	NO.	SIZE	TYPE	LENGTH
A	12	#3	BENT	16'-8"
A1	2	#3	STR.	6'-2"
A2	2	#3	STR.	4'-2"
B	9	#3	BENT	18'-3"
B1	4	#3	STR.	6'-8"
C	10	#3	BENT	20'-8"
D	4	#3	STR.	2'-0"
D1	2	#3	STR.	2'-4"
H	11	#4	STR.	3'-8"
H1	8	#4	STR.	5'-2"

QUANTITIES	
FOR INLET WITH MINIMUM HEIGHT	
CLASS "A" CONCRETE	2.16 C.Y.
GRADE 40 REINF. STEEL	282 LBS.
FOR ADD'L FOOT OF VERT. HEIGHT	
CLASS "A" CONCRETE	.352 C.Y.
GRADE 40 REINF. STEEL	29.82 LBS.

BEND DIAGRAMS	
B BARS 3 X 18'-3"	C BARS 3 X 20'-8"
A BARS 3 X 16'-8"	



NOTE:
FOR OPENING HEIGHTS GREATER THAN 9",
ADD #Y HORIZONTAL BAR ACROSS OPENING.
(SEE ODOT STD. CET 65-1-00 FOR PIPE GRATE
DETAIL)

REVISION	BY	DATE

[Signature]
CITY ENGINEER

[Signature]
DESIGN MANAGER

CITY OF TULSA, OKLAHOMA
ENGINEERING SERVICES DEPARTMENT

STANDARD THREE WAY DROP INLET
48" PIPE

DATE: OCTOBER 2013

STD. 773