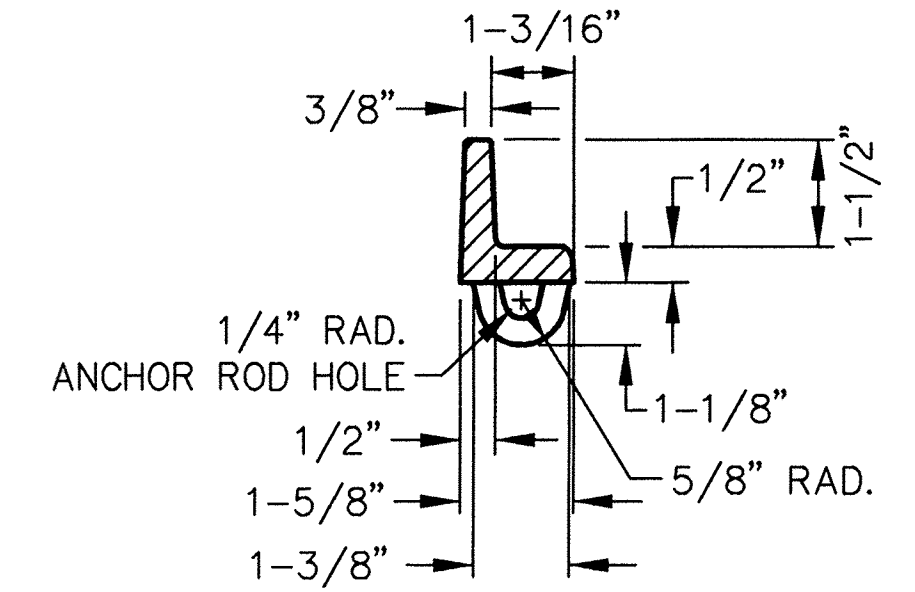
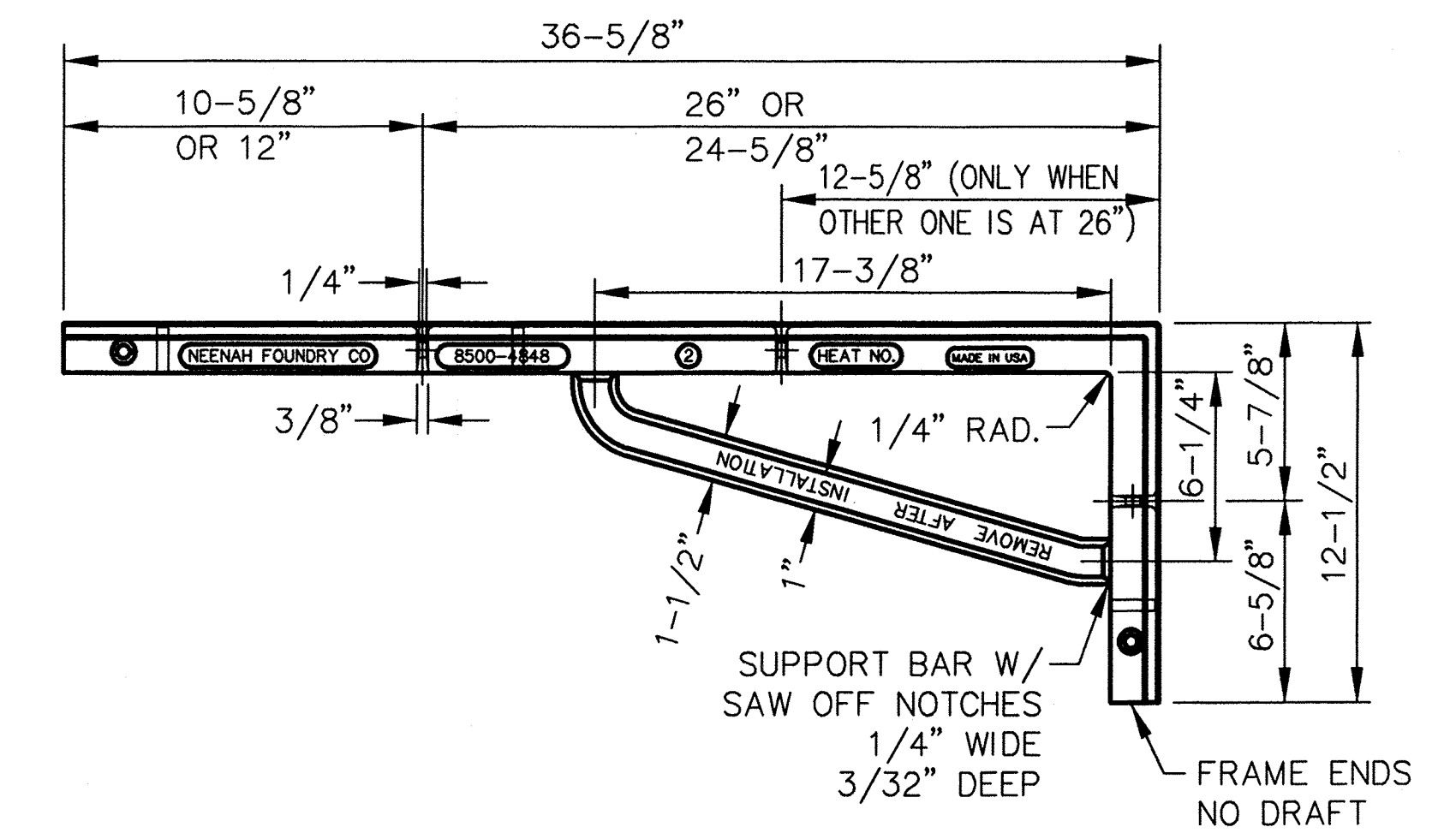


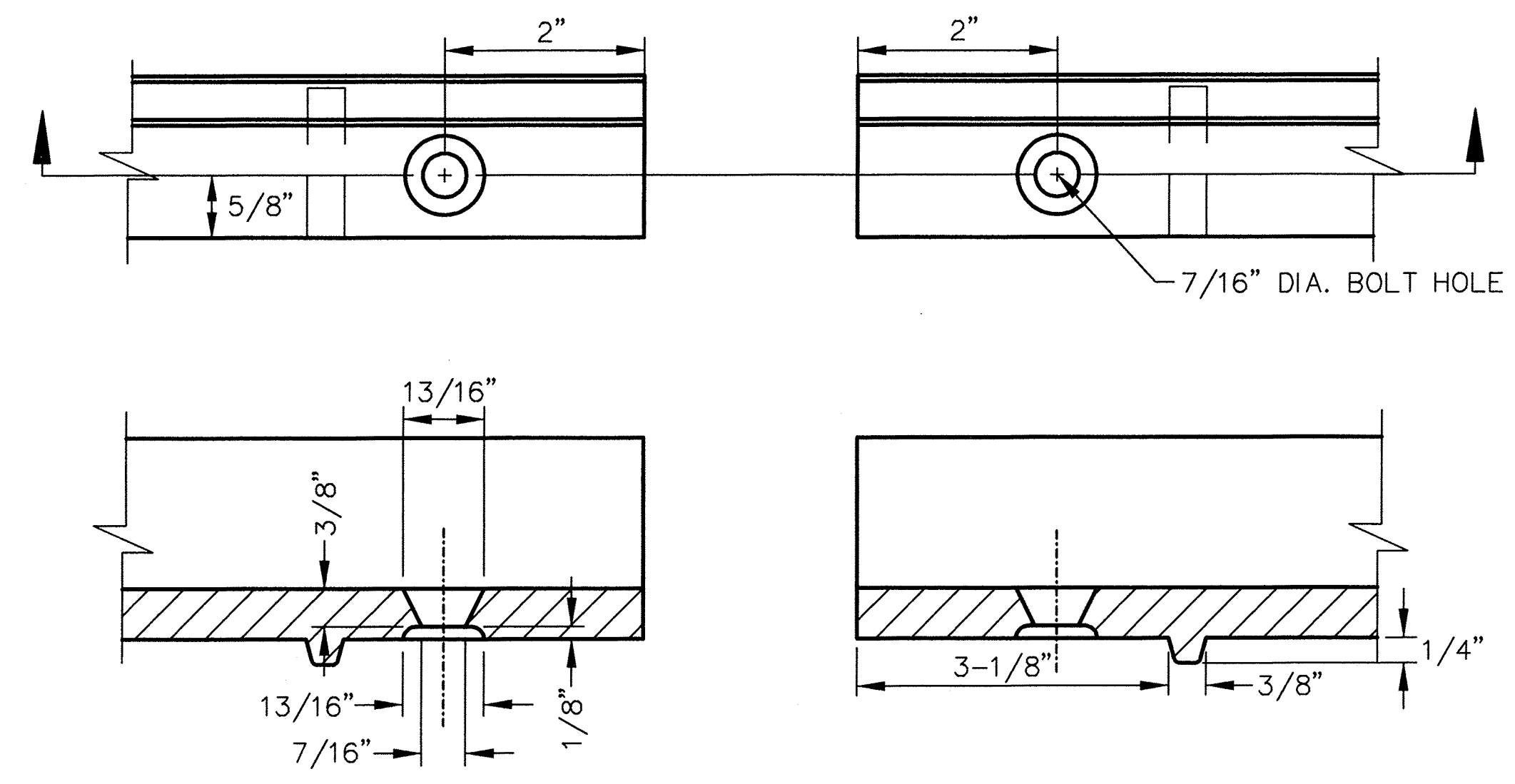
LIGHT OPENING DETAIL
QUARTER SCALE
LIGHT GRATE COMPONENT NO. 8718-0004



TYPICAL FRAME SECTION
SCALE 1:4



NOTE:
COMPONENT NO'S: GRATE (2) 8708-0103; LT. OPENING GRATE (2) 8718-0004
MATERIAL: CAST GRAY IRON ASTM A-48, CLASS 35B
FINISH: NOT PAINTED
WEIGHT: 312#/SET



FRAME BOLT HOLE DETAIL
SCALE 1:2

NOTE:
MATERIAL: CAST GRAY IRON ASTM A-48, CLASS 35B
FINISH: NOT PAINTED
WEIGHT: 19#

REVISION	BY	DATE

[Signature]
CITY ENGINEER

[Signature]
DESIGN MANAGER

CITY OF TULSA, OKLAHOMA
ENGINEERING SERVICES DEPARTMENT

SIDEWALK GRATE FOR TREE WELL

DATE: OCTOBER 2013

STD. 787

PATH NAME: /E1/PARTS/STD/DCN_STDS/787-SDWALK-GRATE-TREE-WELL.DGN LFW 05/04/2012