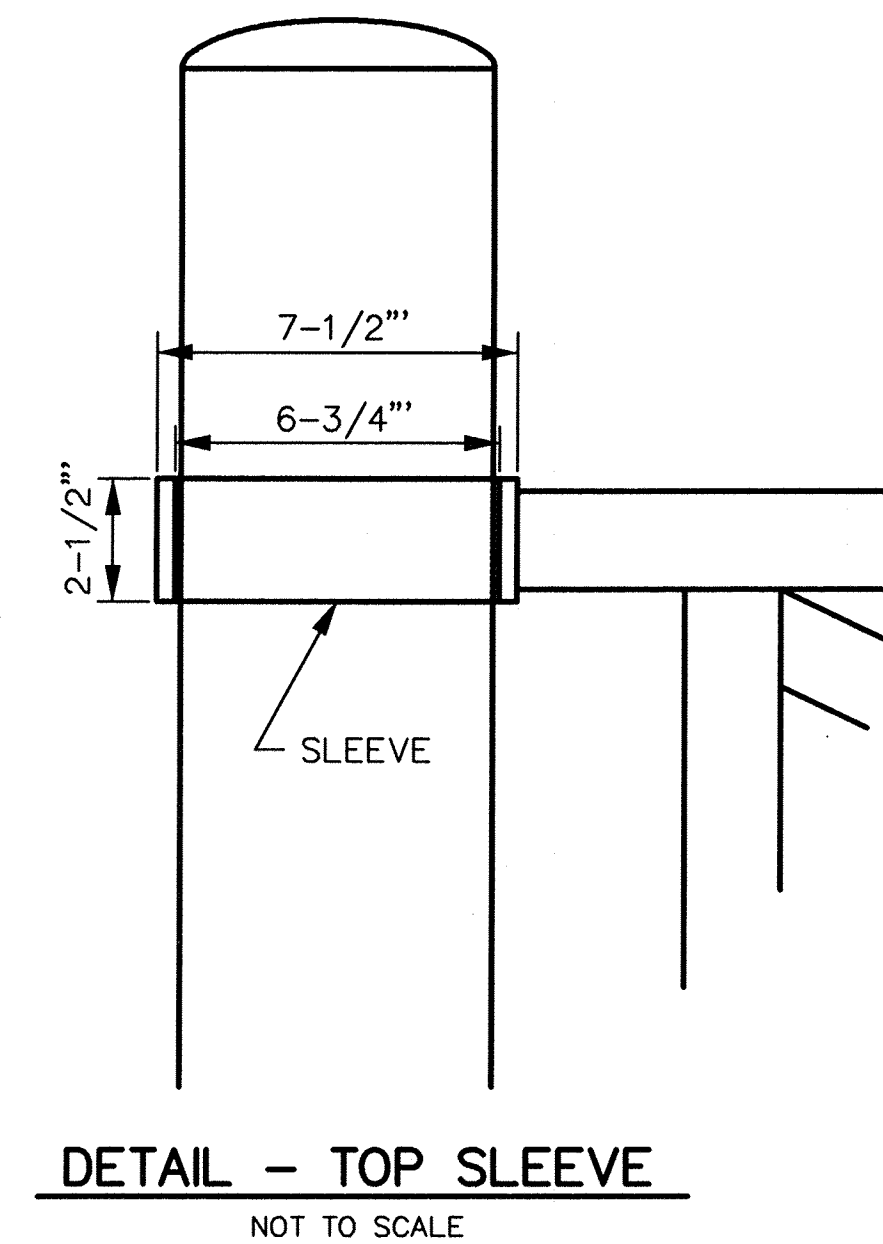
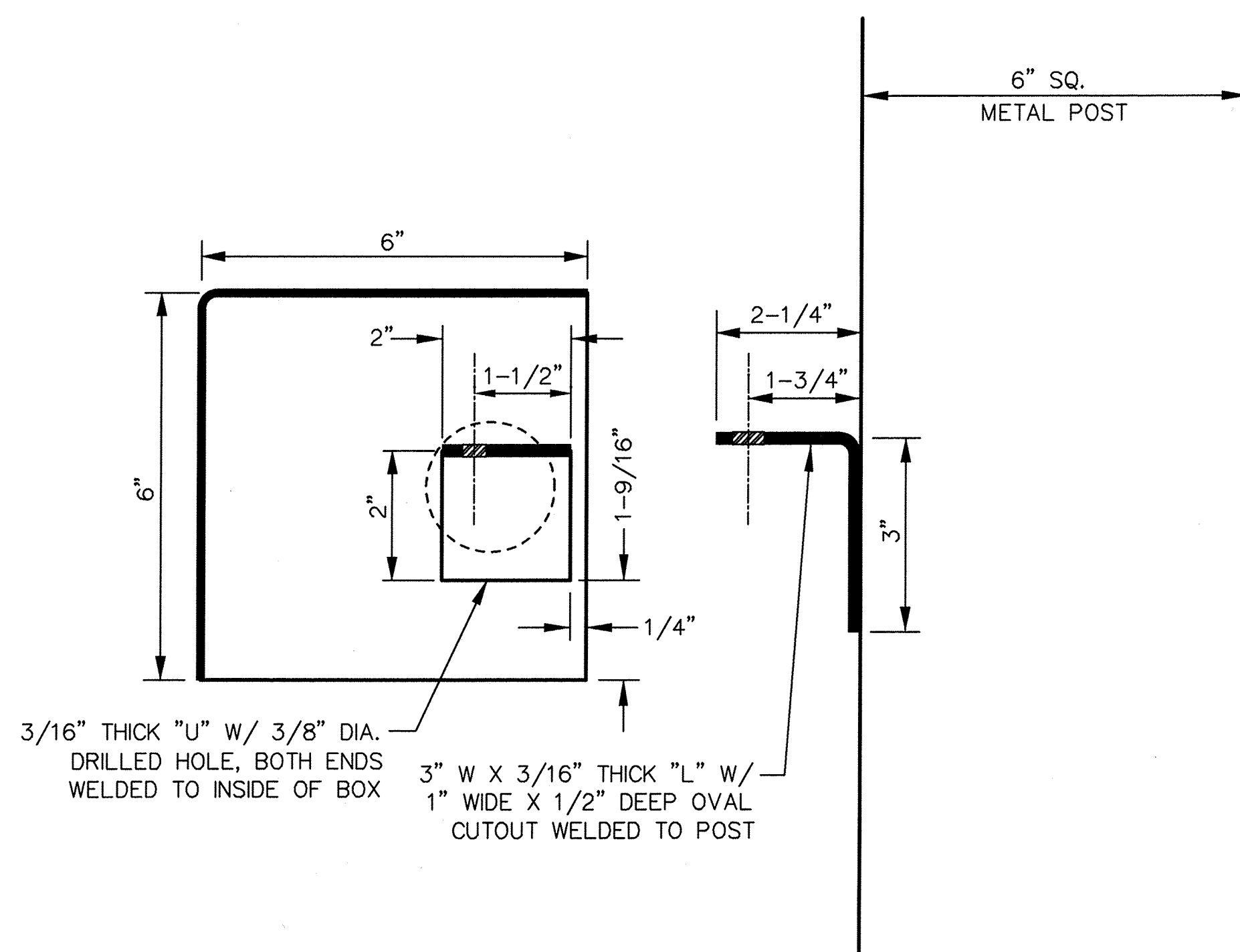


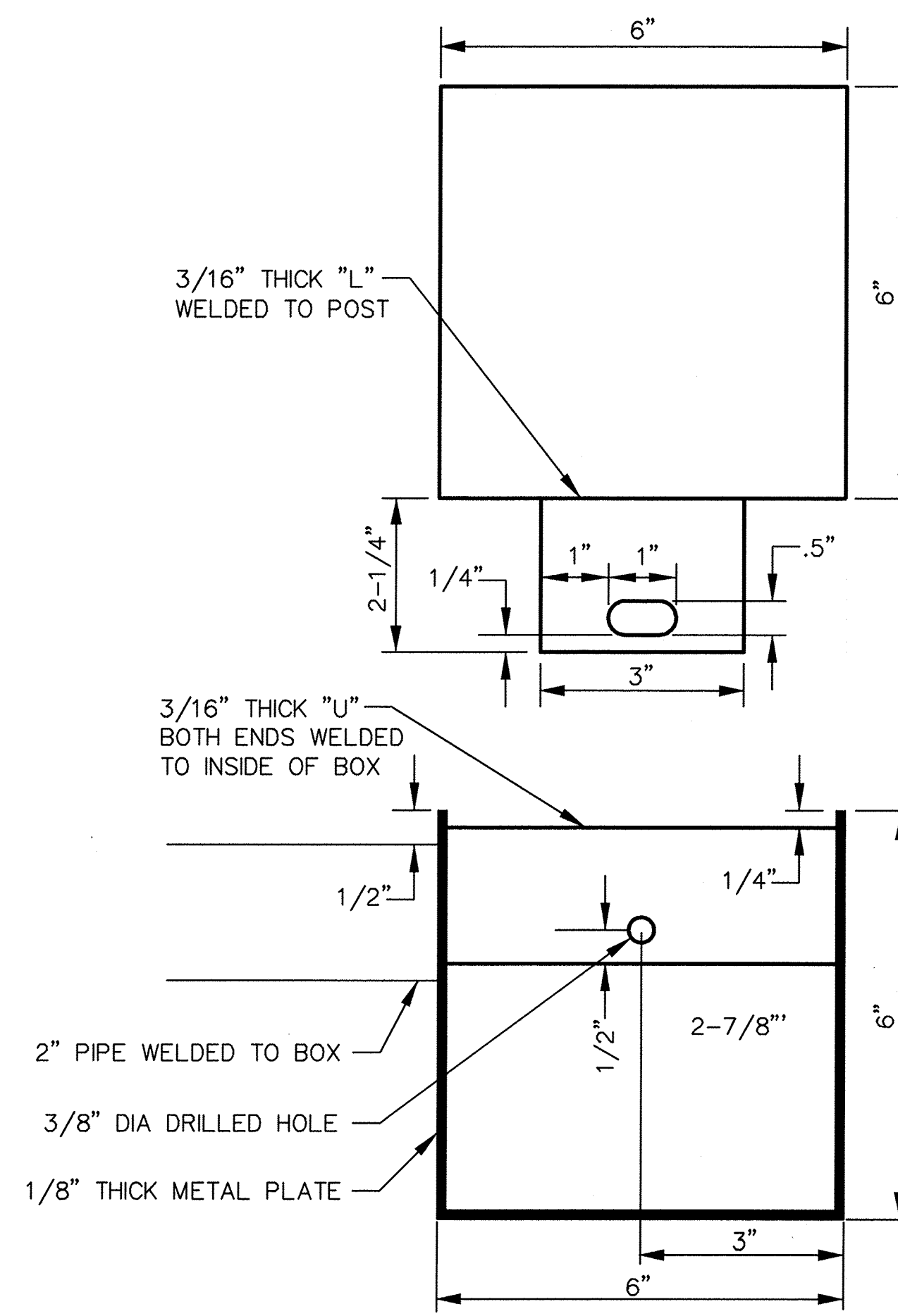
POLE GATE
NOT TO SCALE



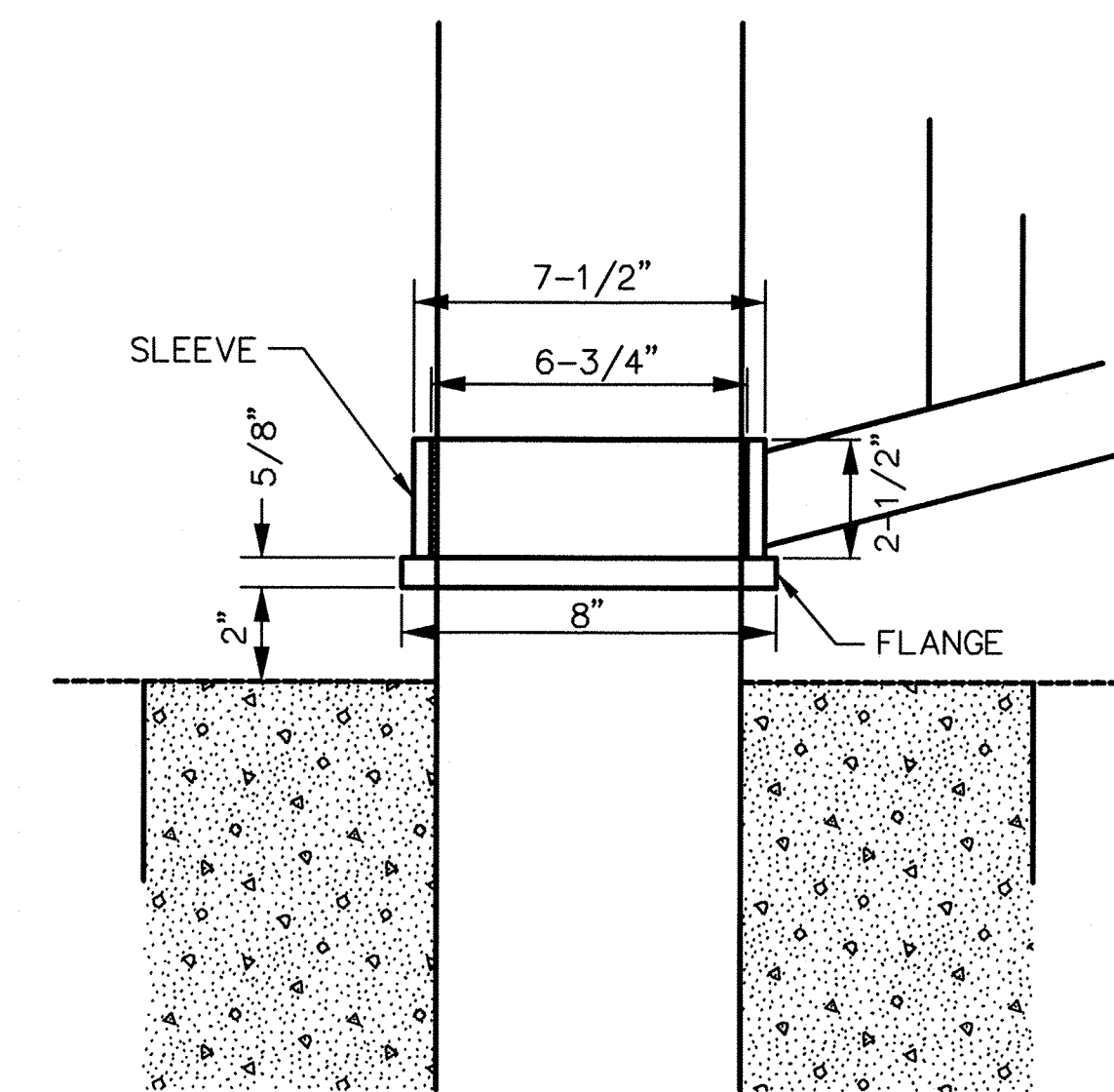
DETAIL - TOP SLEEVE
NOT TO SCALE



DETAIL - LOCK BOX - SIDE VIEW (CUTAWAY)
NOT TO SCALE



DETAIL - LOCK BOX - TOP VIEW (CUTAWAY)
NOT TO SCALE



DETAIL - BOTTOM SLEEVE AND FLANGE
NOT TO SCALE

REVISION	BY	DATE

Valid...
CITY ENGINEER

[Signature]
DESIGN MANAGER

CITY OF TULSA, OKLAHOMA
ENGINEERING SERVICES DEPARTMENT

SINGLE POLE GATE

DATE: OCTOBER 2013

STD. 788