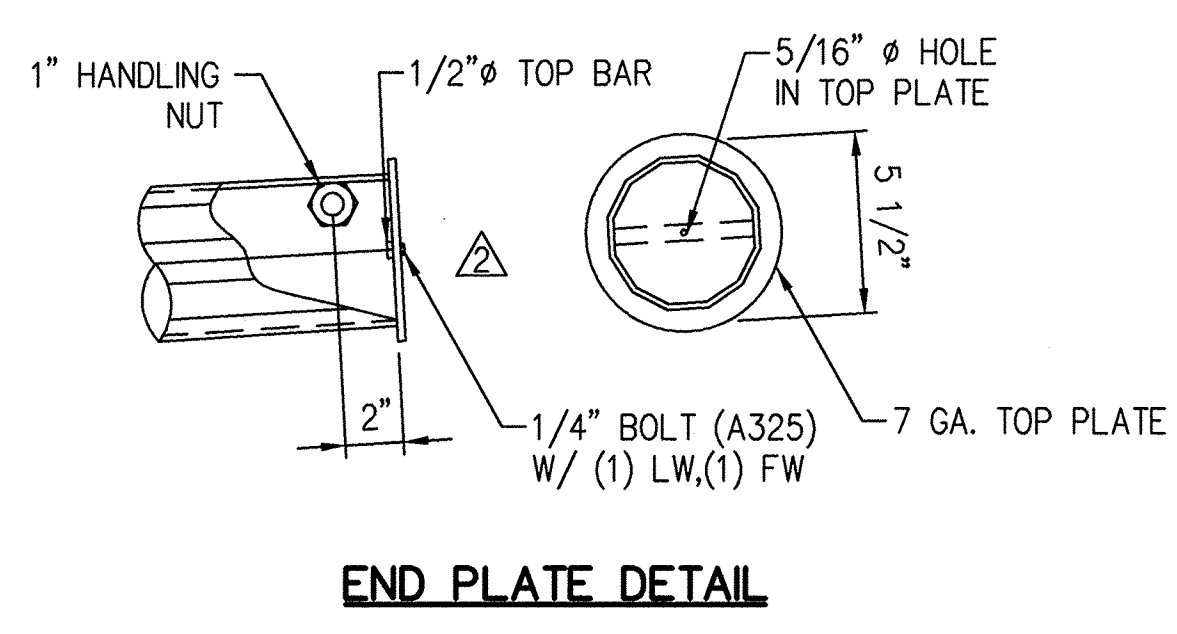
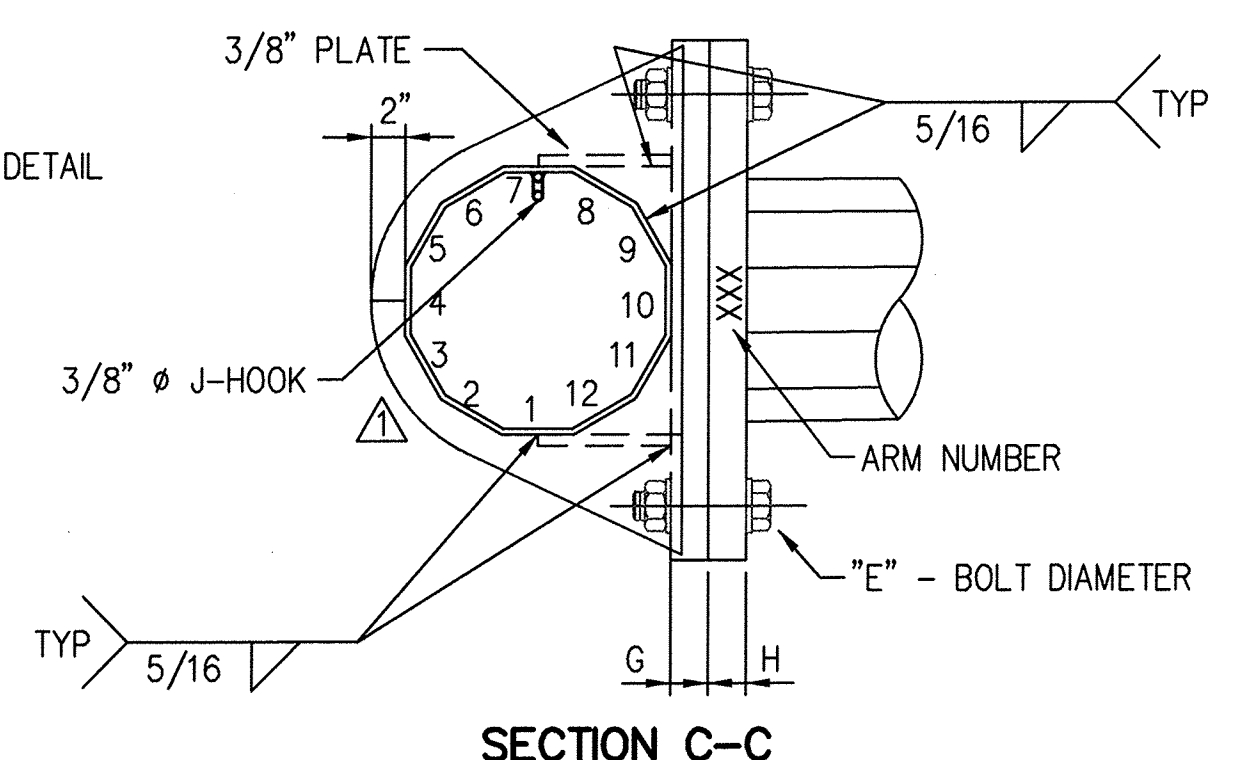
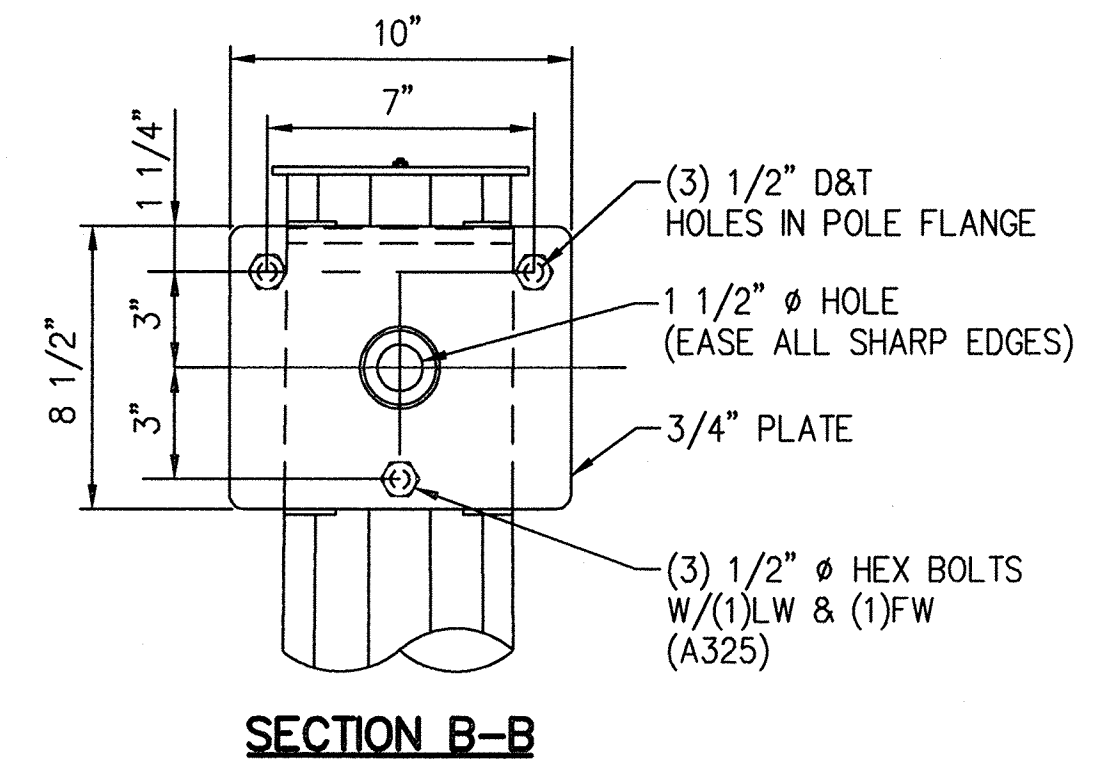
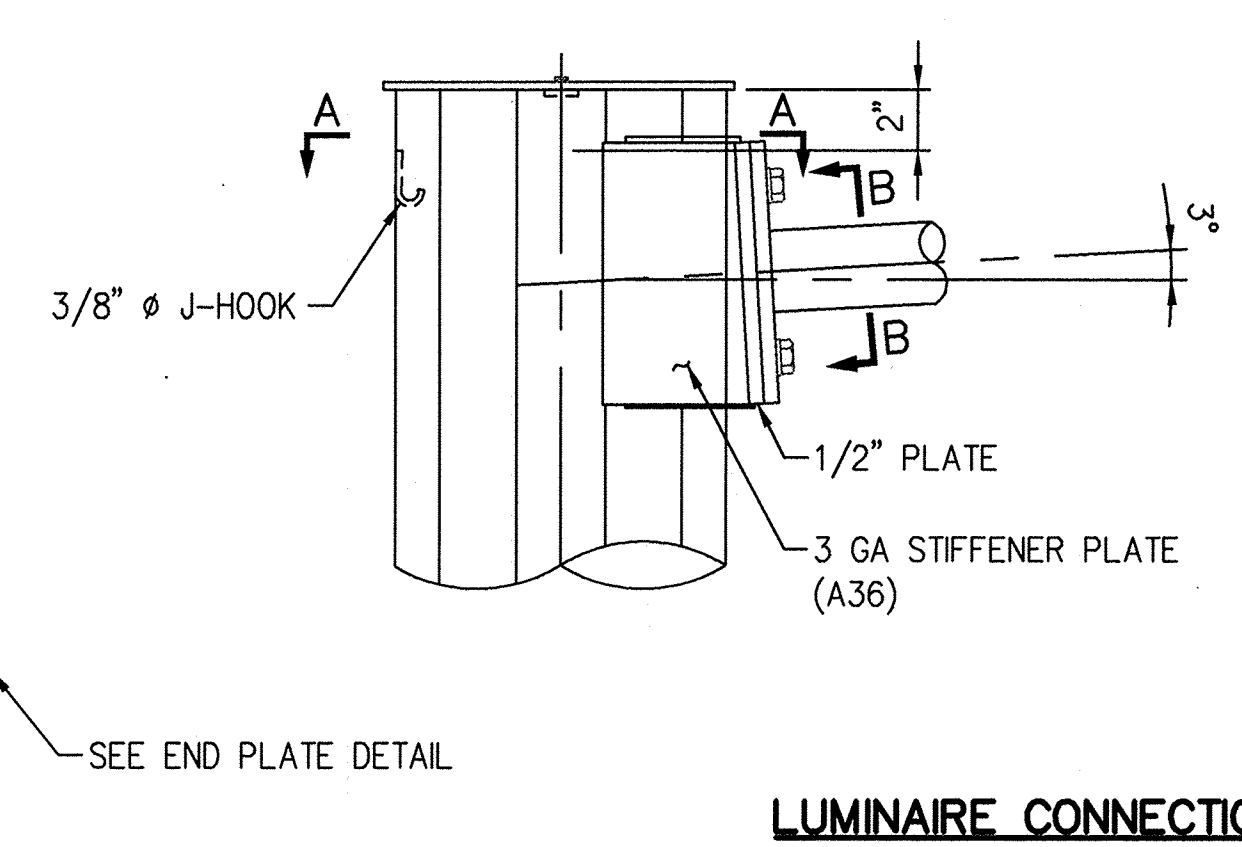
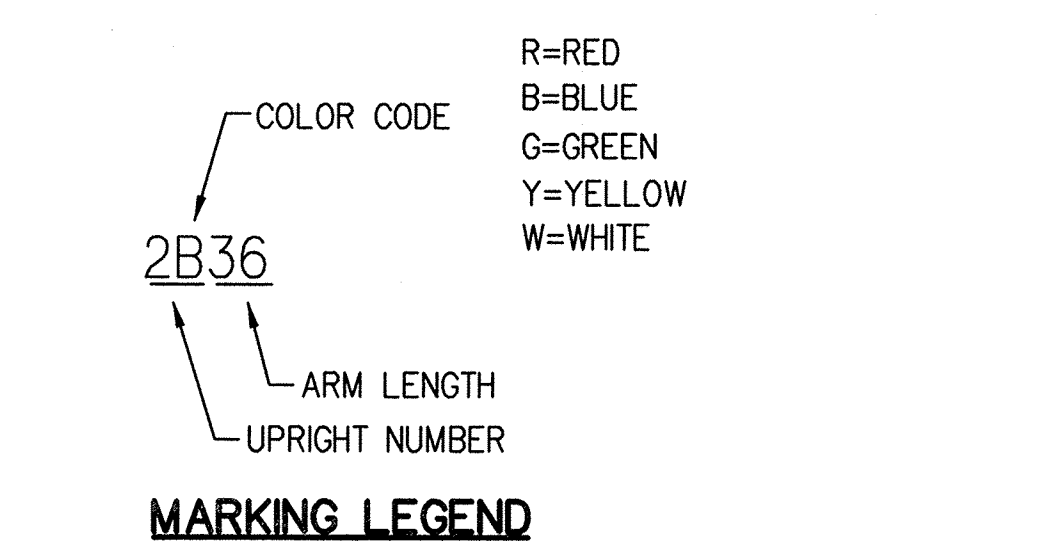
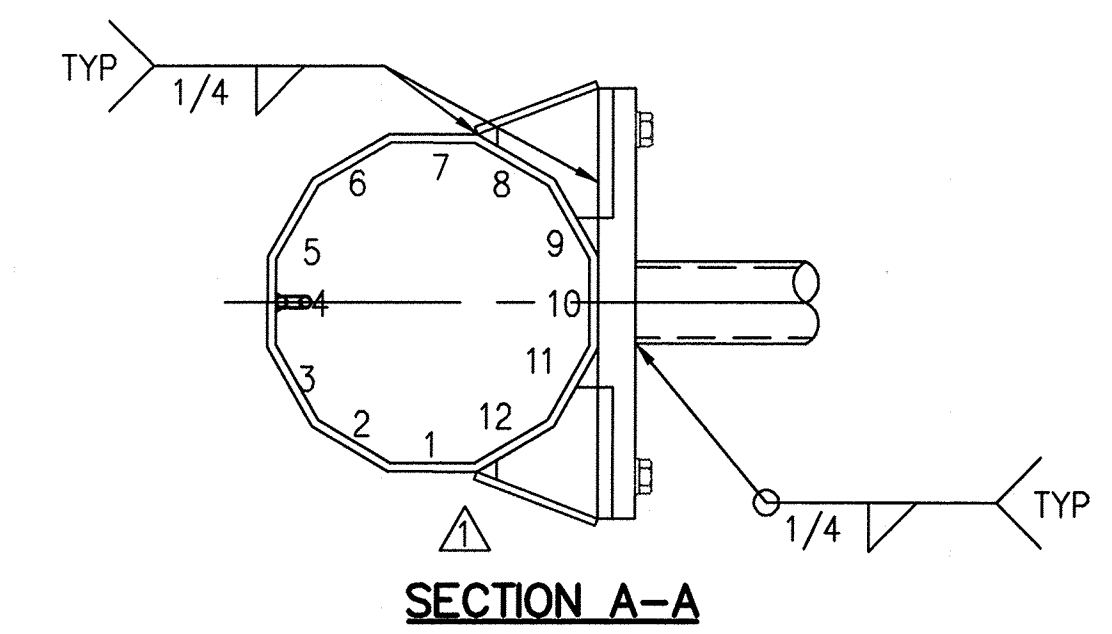
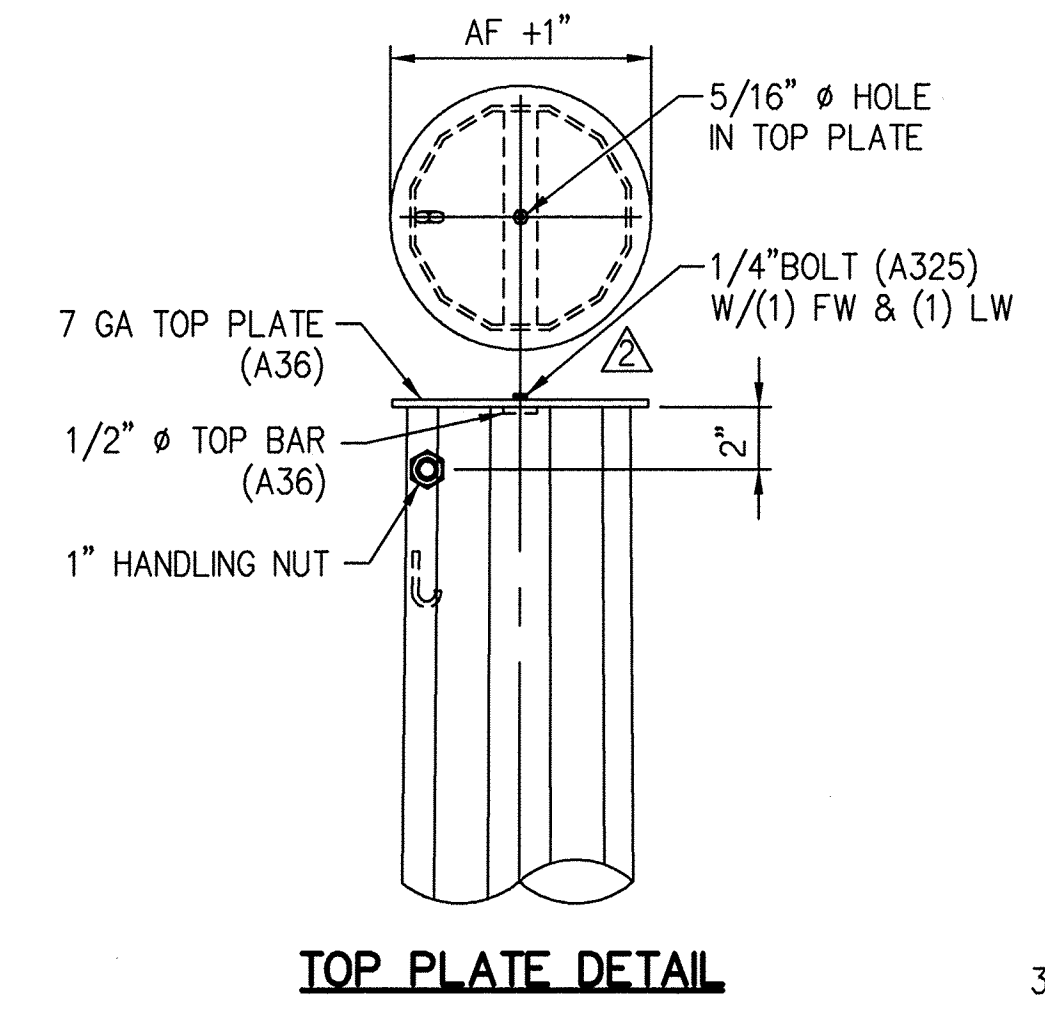
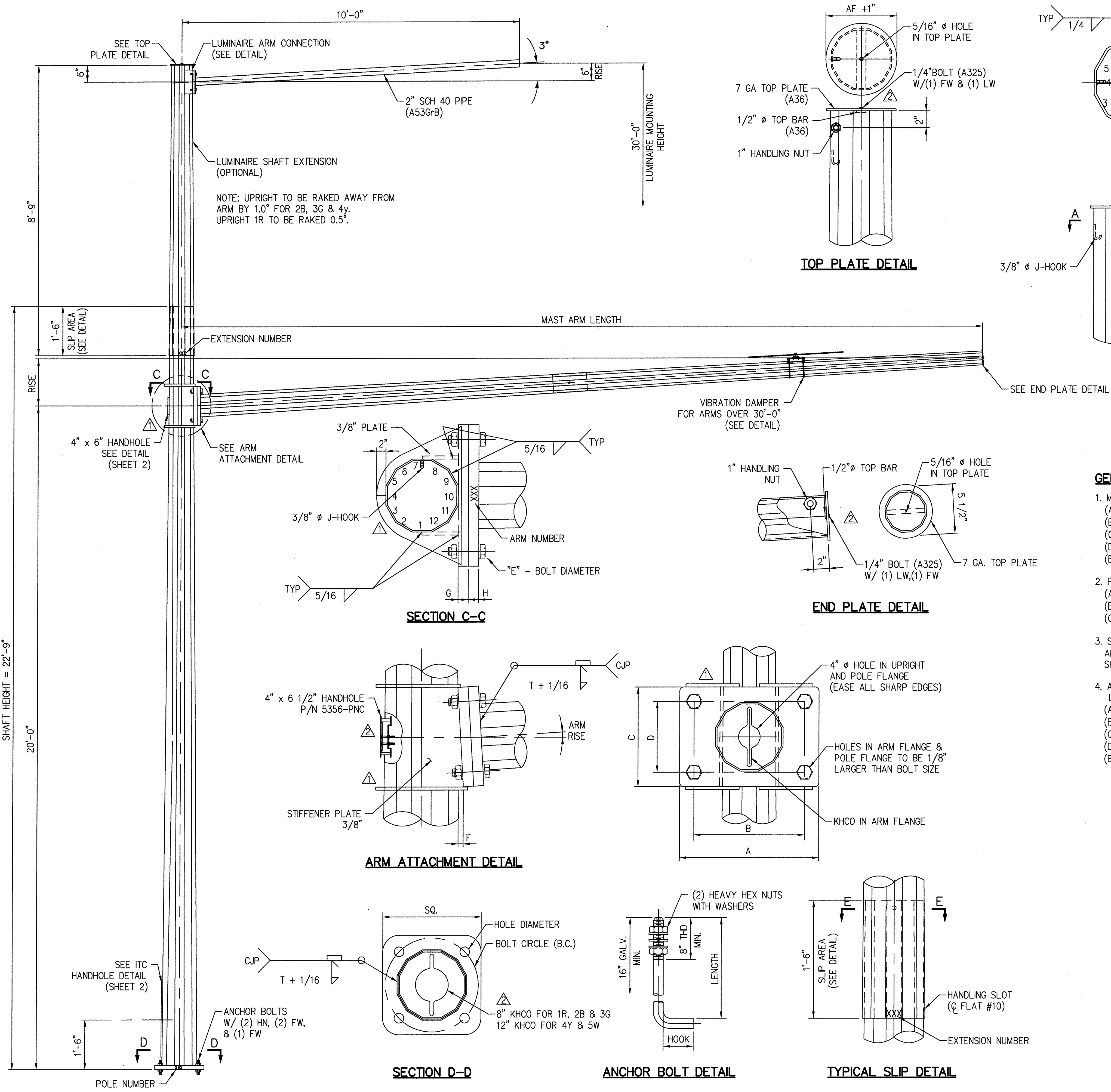
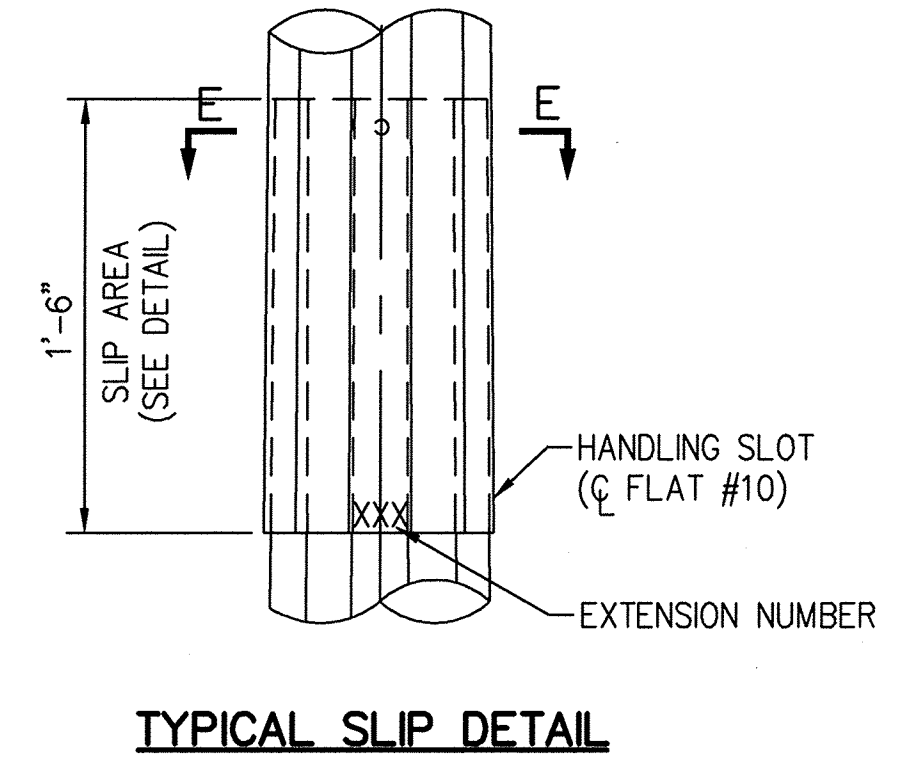
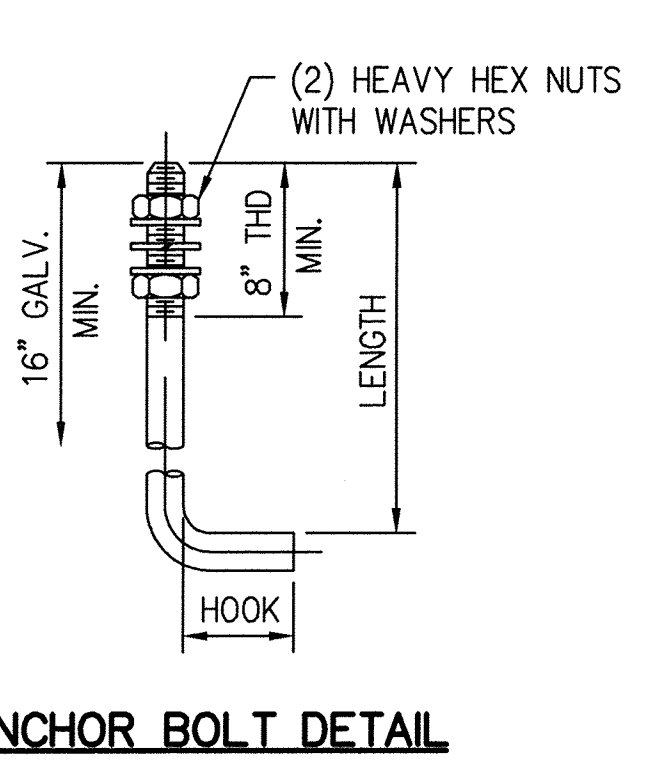
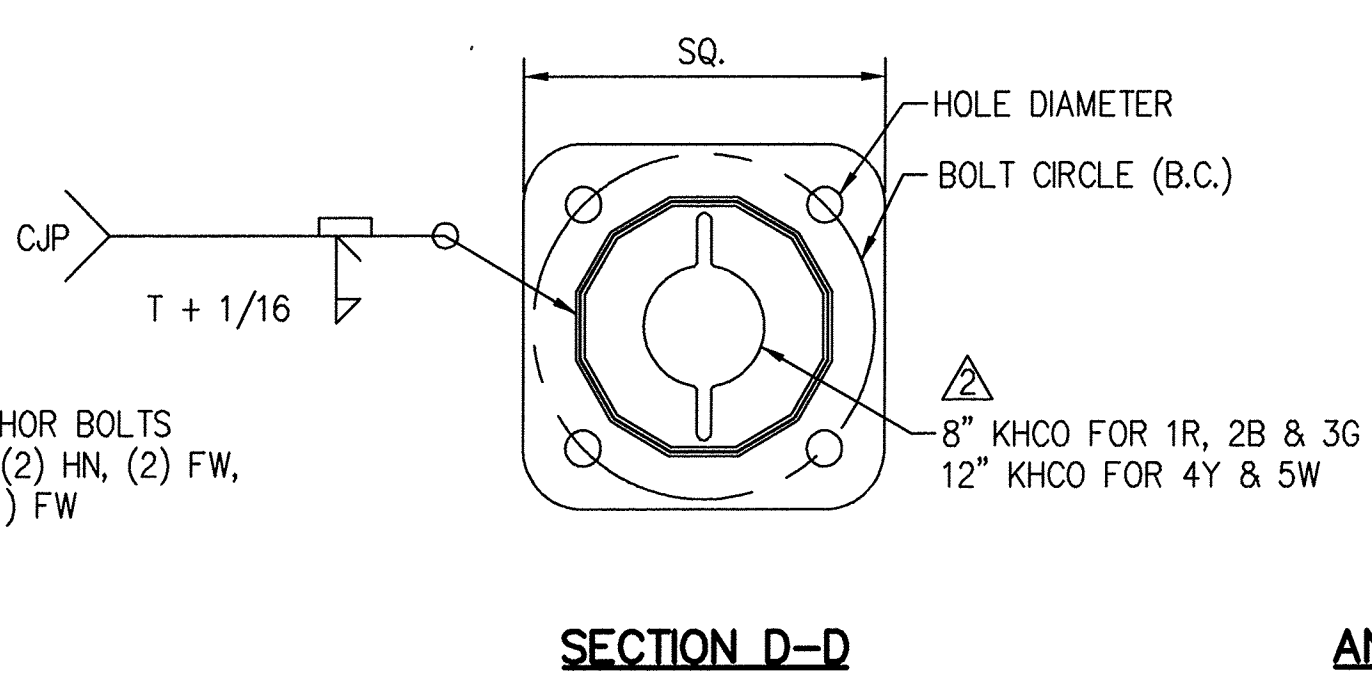
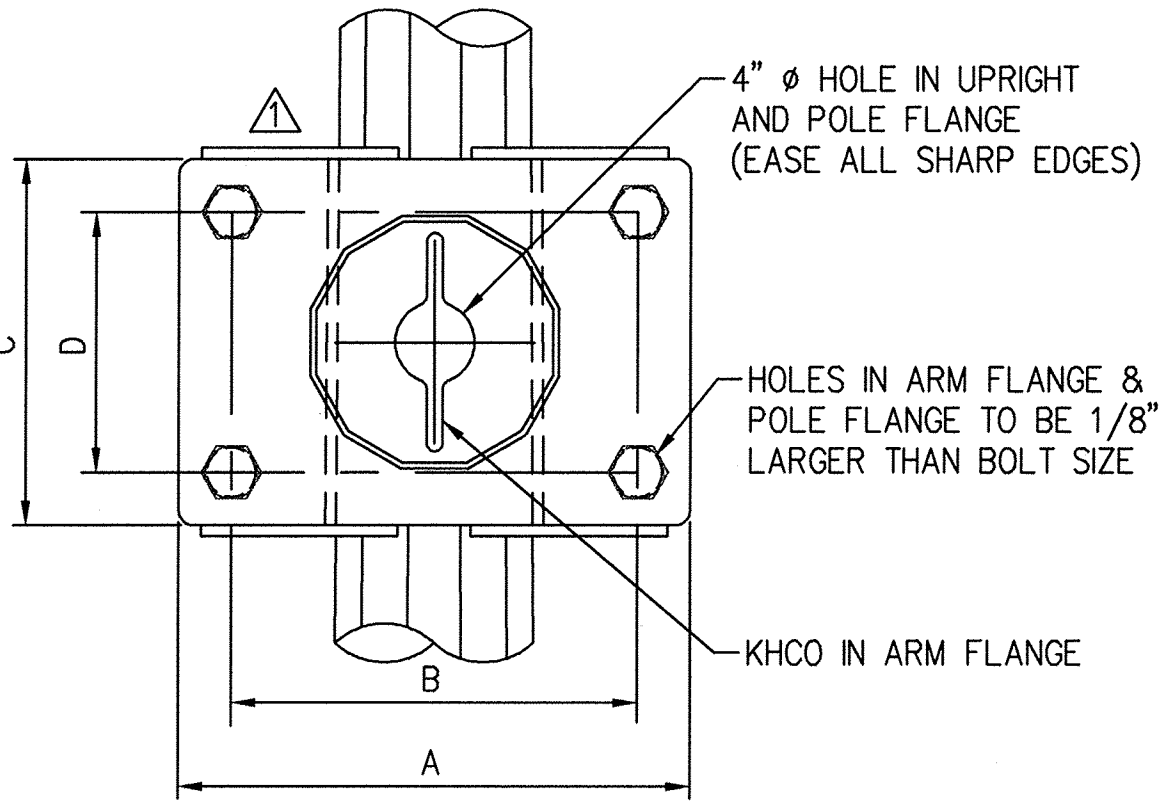
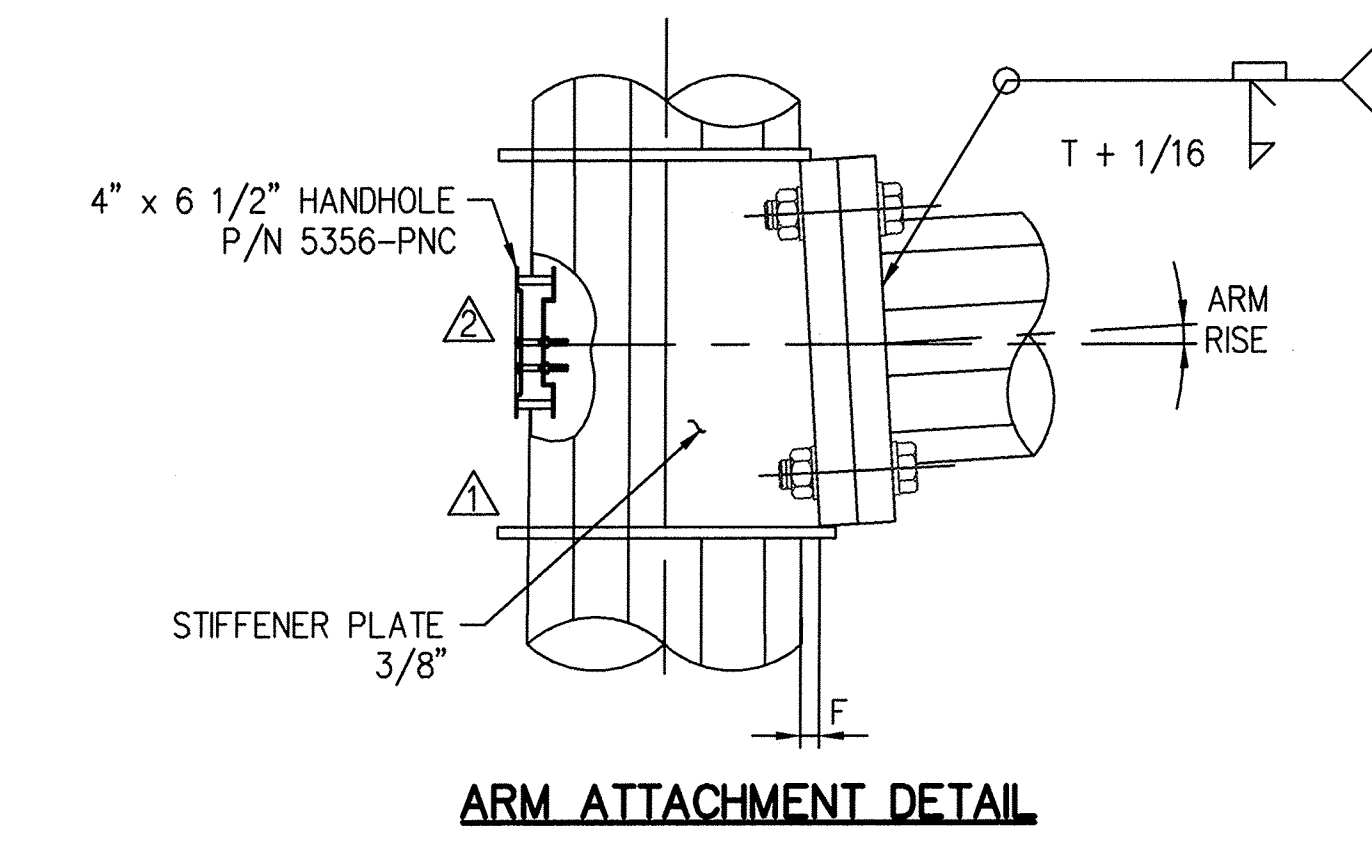


PATH NAME: /E1/PARTS/STD/DGN_STDS/617B-Single-Mast-Arm-Details.dgn SBW 01/13/2013



- GENERAL NOTES**
- MATERIAL:
 - (A) SHAFT - ASTM A570-50
 - (B) BASE & FLANGE PLATES - ASTM A36
 - (C) ANCHOR BOLTS - ASTM F1554-55 (THREAD PER UNC SERIES)
 - (D) ALL OTHER BOLTS - ASTM A325 (THREAD PER UNC SERIES)
 - (E) POLE TOP PLATE - ASTM A36
 - FINISH:
 - (A) EACH ASSEMBLY TO BE GALVANIZED TO ASTM A123.
 - (B) THE TOP PORTION OF THE ANCHOR BOLTS TO BE GALVANIZED TO ASTM A153.
 - (C) ALL THREADED FASTENERS TO BE GALVANIZED TO ASTM A153.
 - SIGNAL SUPPORT ARMS OVER 50'-0" TO BE 2 SECTION SLIPPED TOGETHER AFTER GALVANIZING AND HELD IN PLACE WITH ONE 5/8" DIA. PIN BOLT. ARM TO BE SHIPPED ASSEMBLED.
 - ALL SECTIONS TO BE COLOR CODED PER MARKING LEGEND AND IN THE FOLLOWING LOCATIONS:
 - (A) BOTTOM OF BASE PLATE
 - (B) BOTTOM OF ARM FLANGE PLATE
 - (C) BOTTOM OF LUMINAIRE FLANGE PLATE
 - (D) INSIDE OF LUMINAIRE EXTENSION
 - (E) INSIDE OF ARM EXTENSION



REVISION	BY	DATE

CITY OF TULSA, OKLAHOMA
ENGINEERING SERVICES DEPARTMENT

Richard W. [Signature]
CITY ENGINEER

Robert W. [Signature]
CITY TRAFFIC ENGINEER

SINGLE MAST ARM DETAILS

DATE: OCTOBER 2013

STD. 617B