

Diagram #3

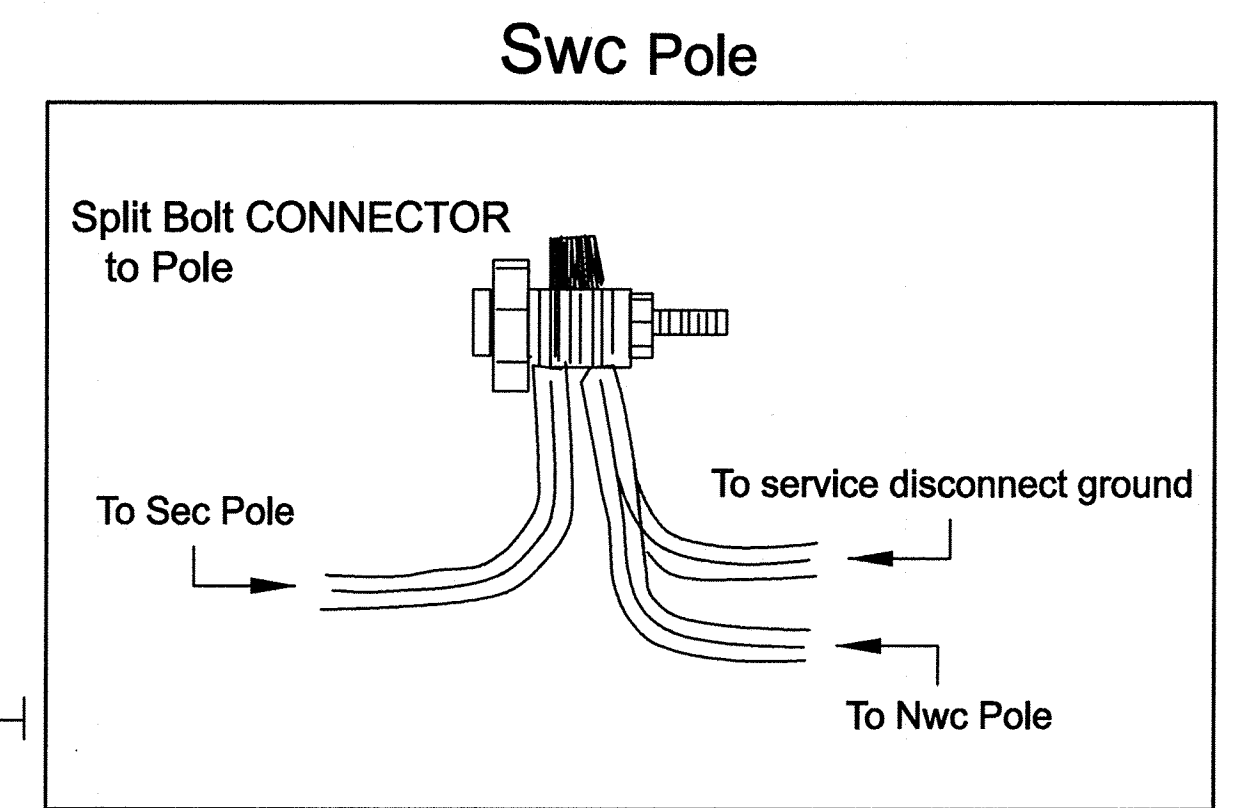
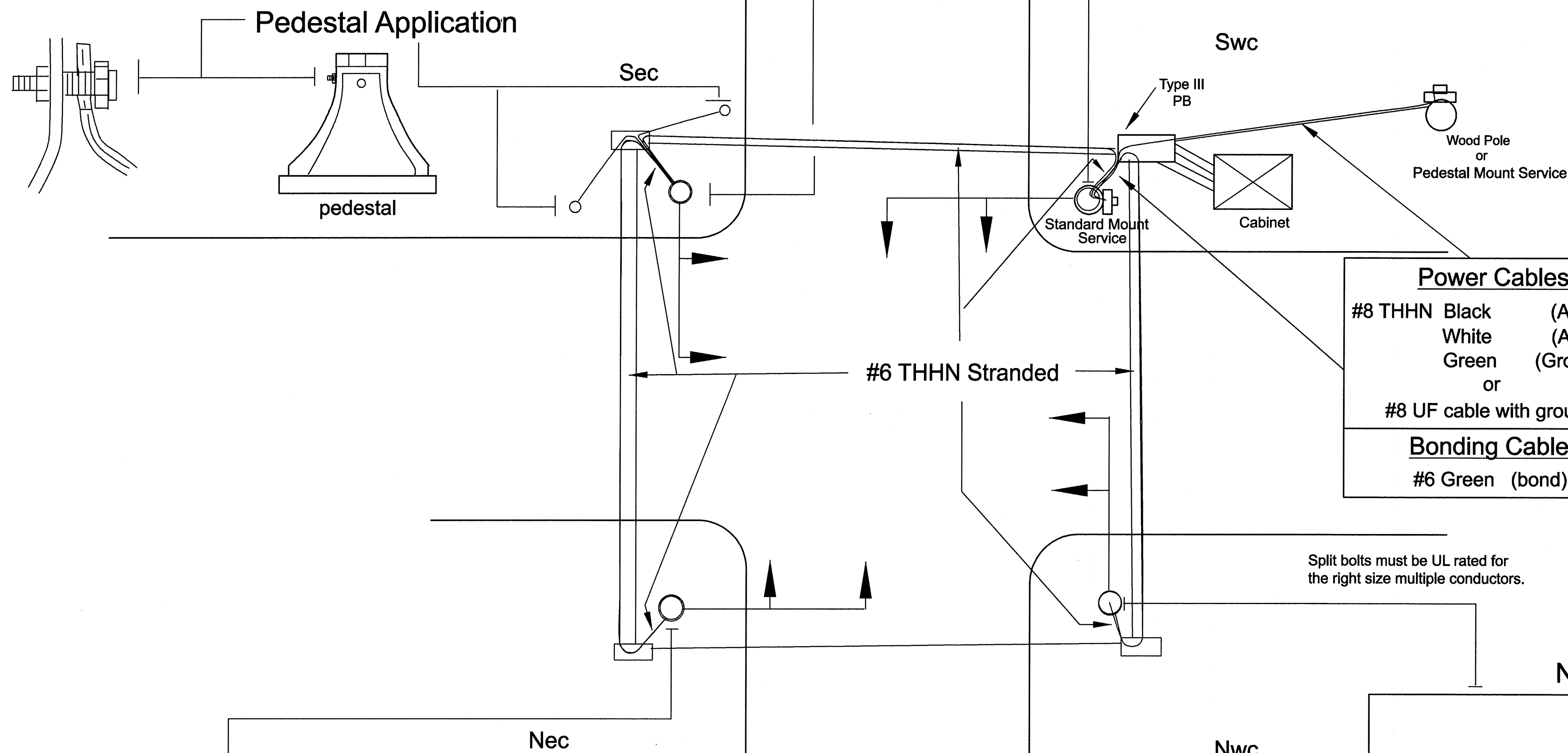


Diagram #4



- Power Cables**
- #8 THHN Black (AC-)
 - White (AC-)
 - Green (Ground)
 - or
 - #8 UF cable with ground
- Bonding Cable**
- #6 Green (bond)

Split bolts must be UL rated for the right size multiple conductors.

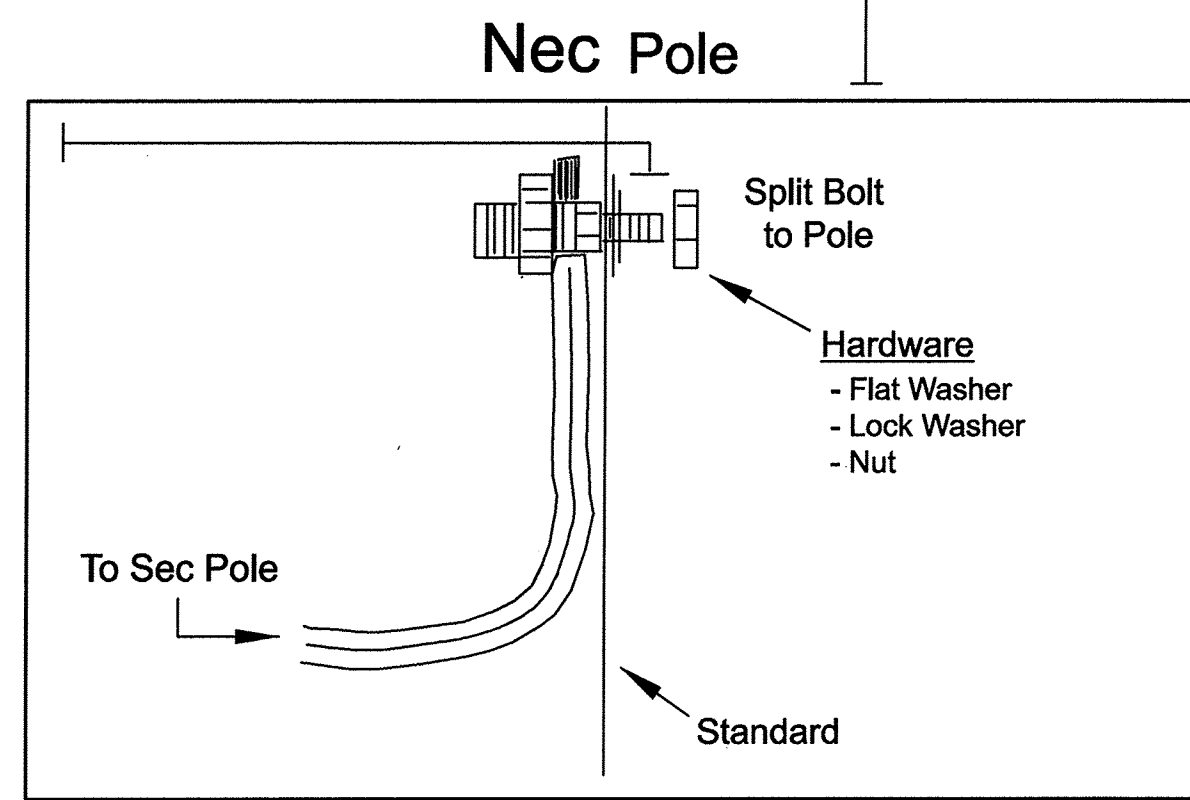


Diagram #2

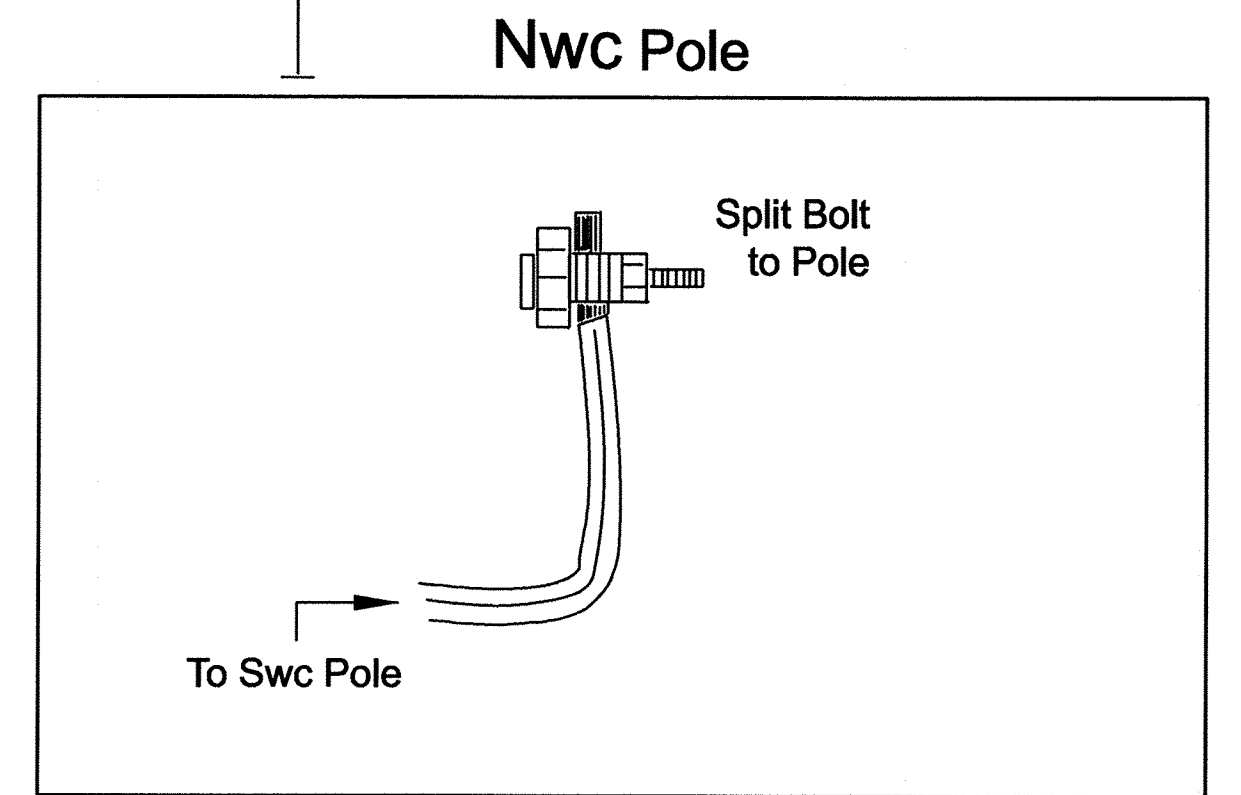


Diagram #1

REVISION	BY	DATE

[Signature]
CITY ENGINEER

[Signature]
CITY TRAFFIC ENGINEER

CITY OF TULSA, OKLAHOMA
ENGINEERING SERVICES DEPARTMENT

BONDING DIAGRAM

DATE: OCTOBER 2013

STD. 618