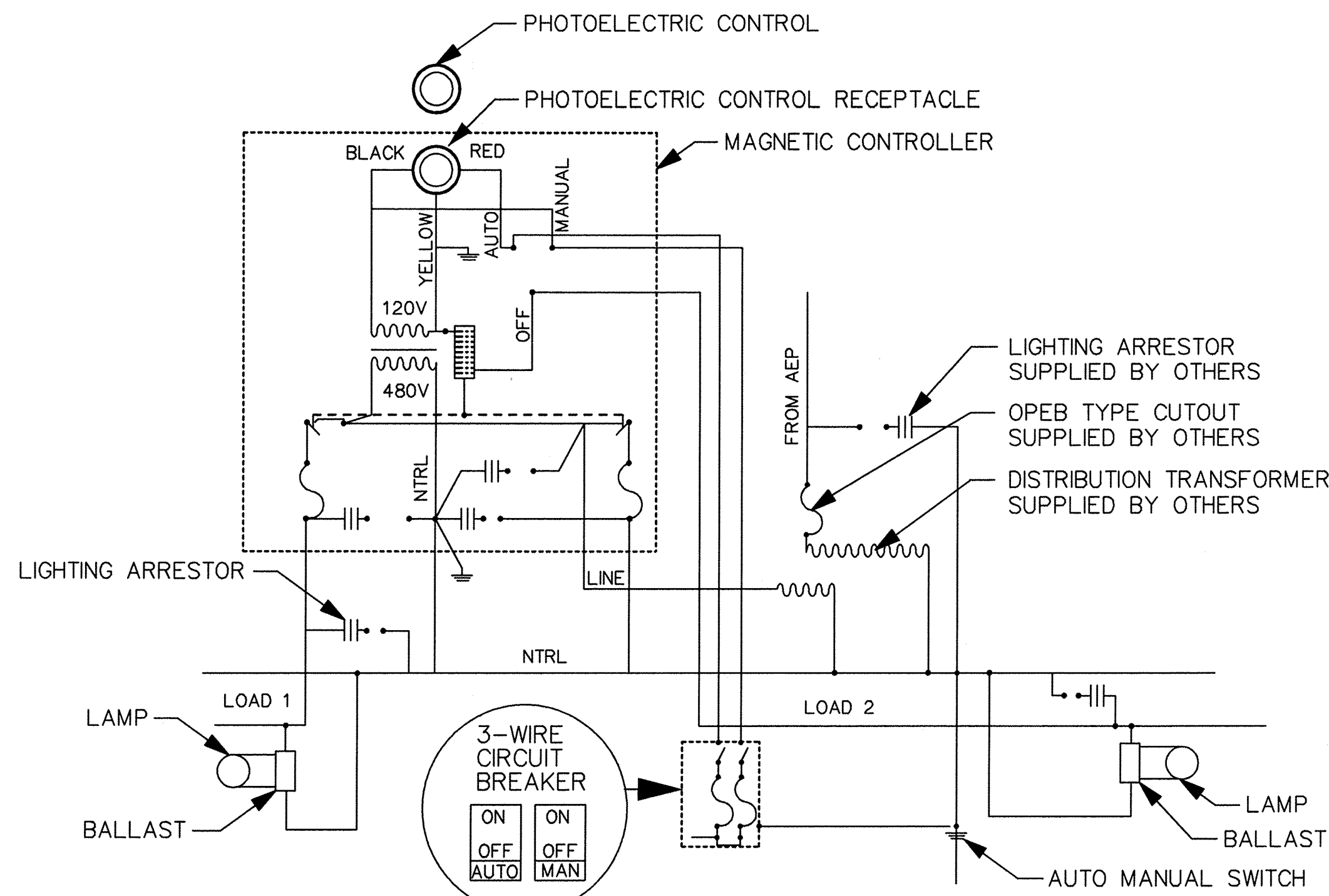
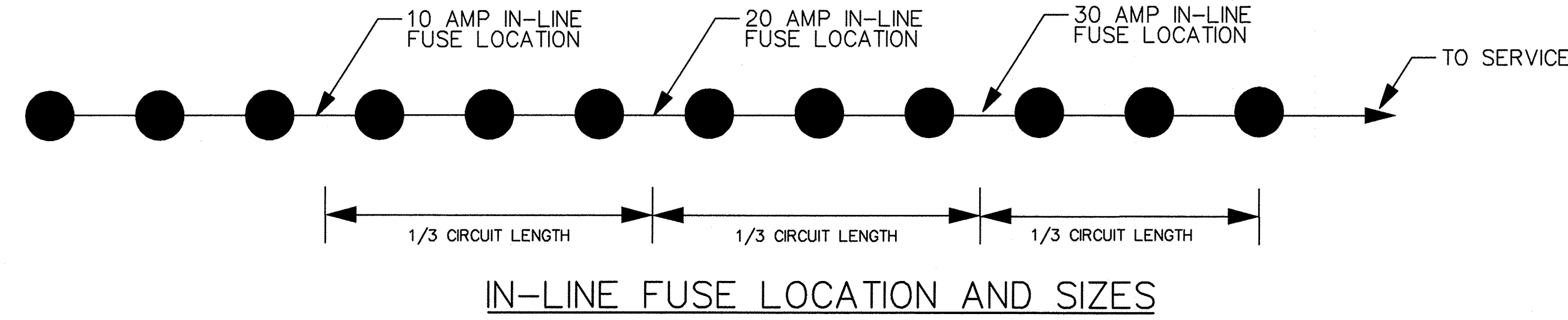


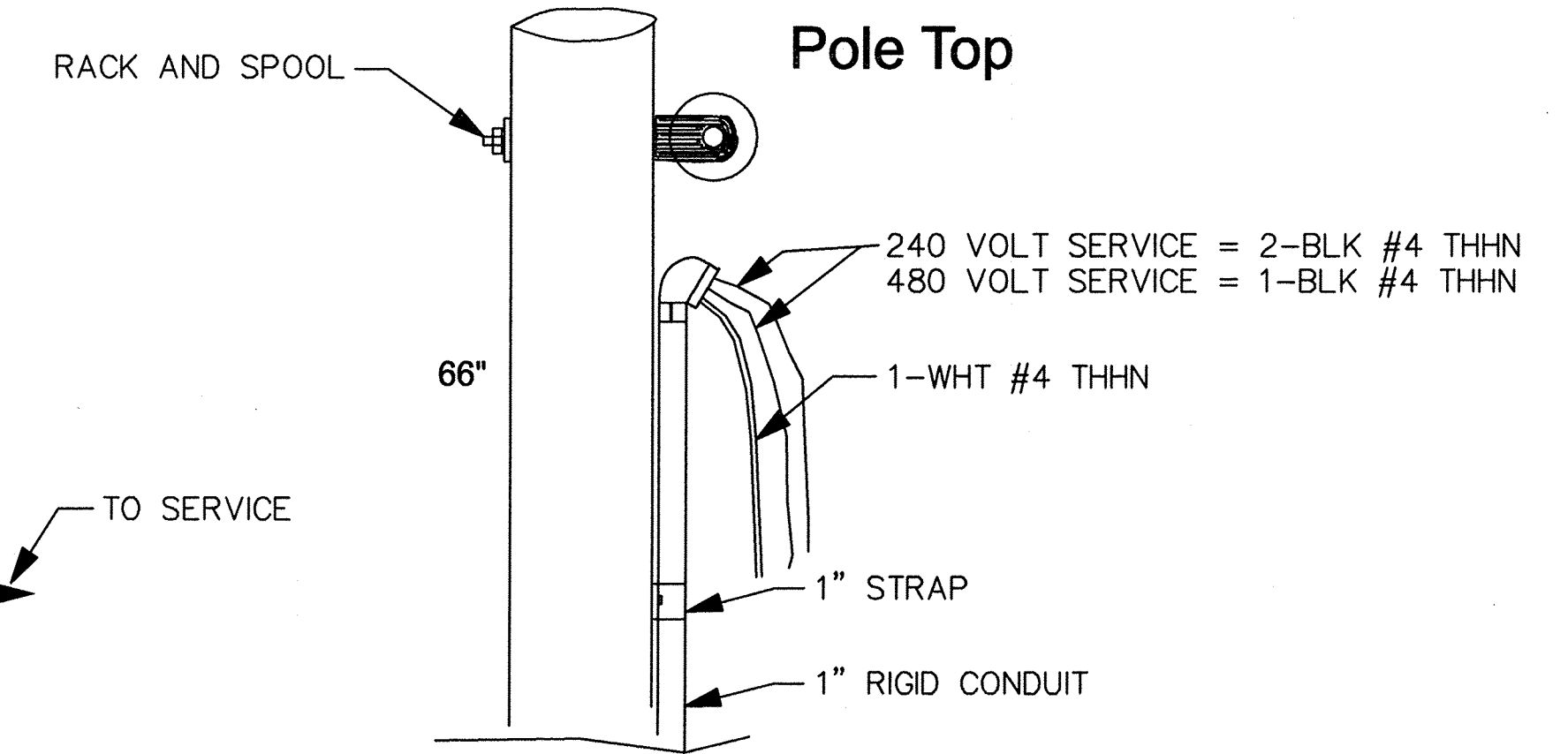
PATH NAME: /E1/PARTS/STD/DGN_STDS/621A-lighting-controller-det.dgn SBW 09/18/2012



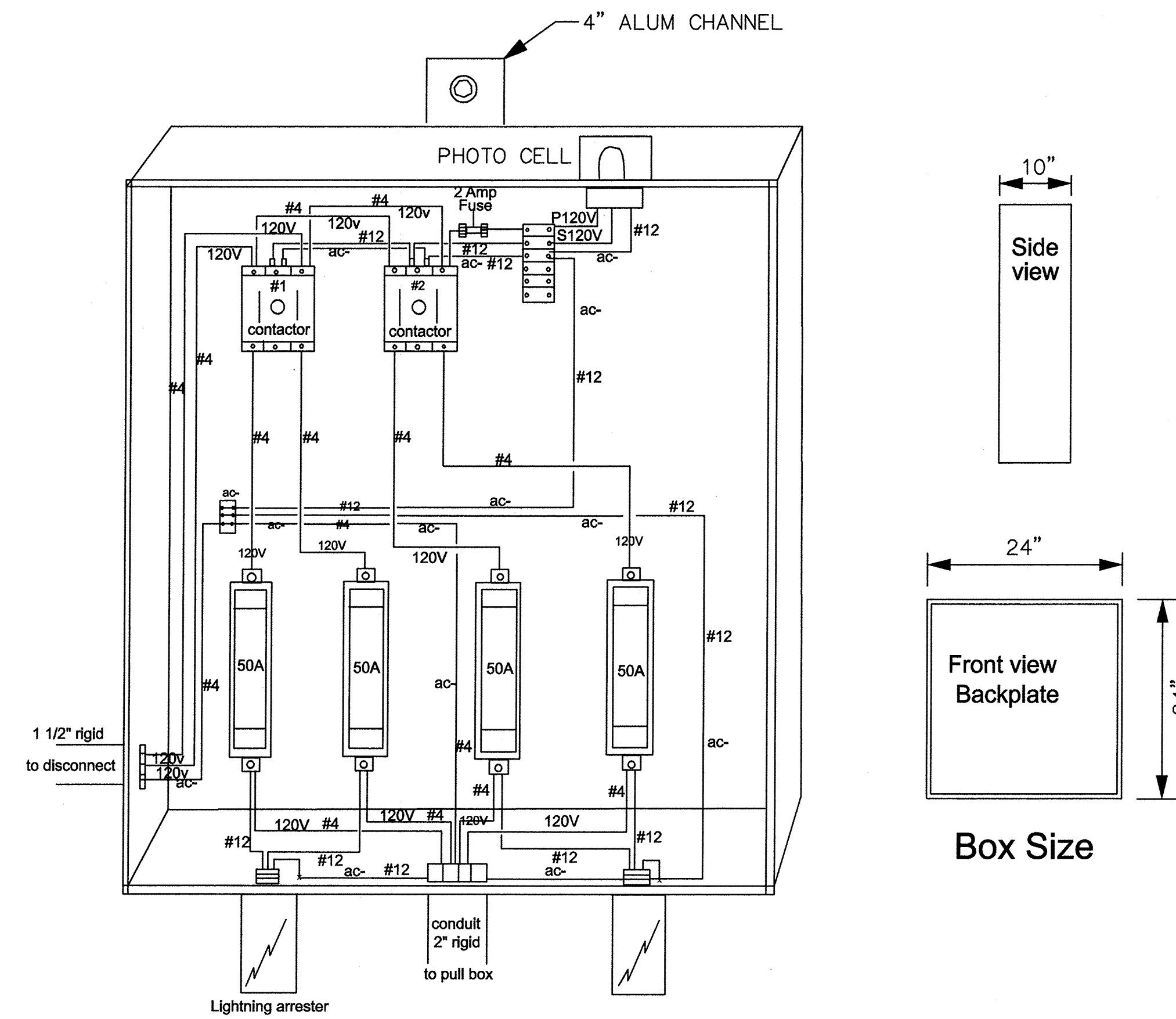
CONTROLLER WIRING DIAGRAM



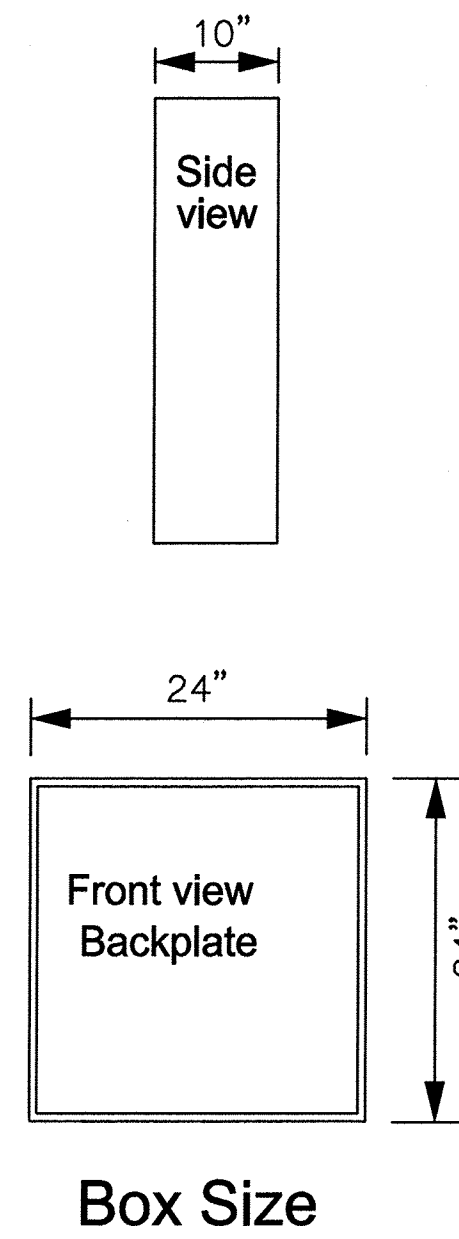
IN-LINE FUSE LOCATION AND SIZES



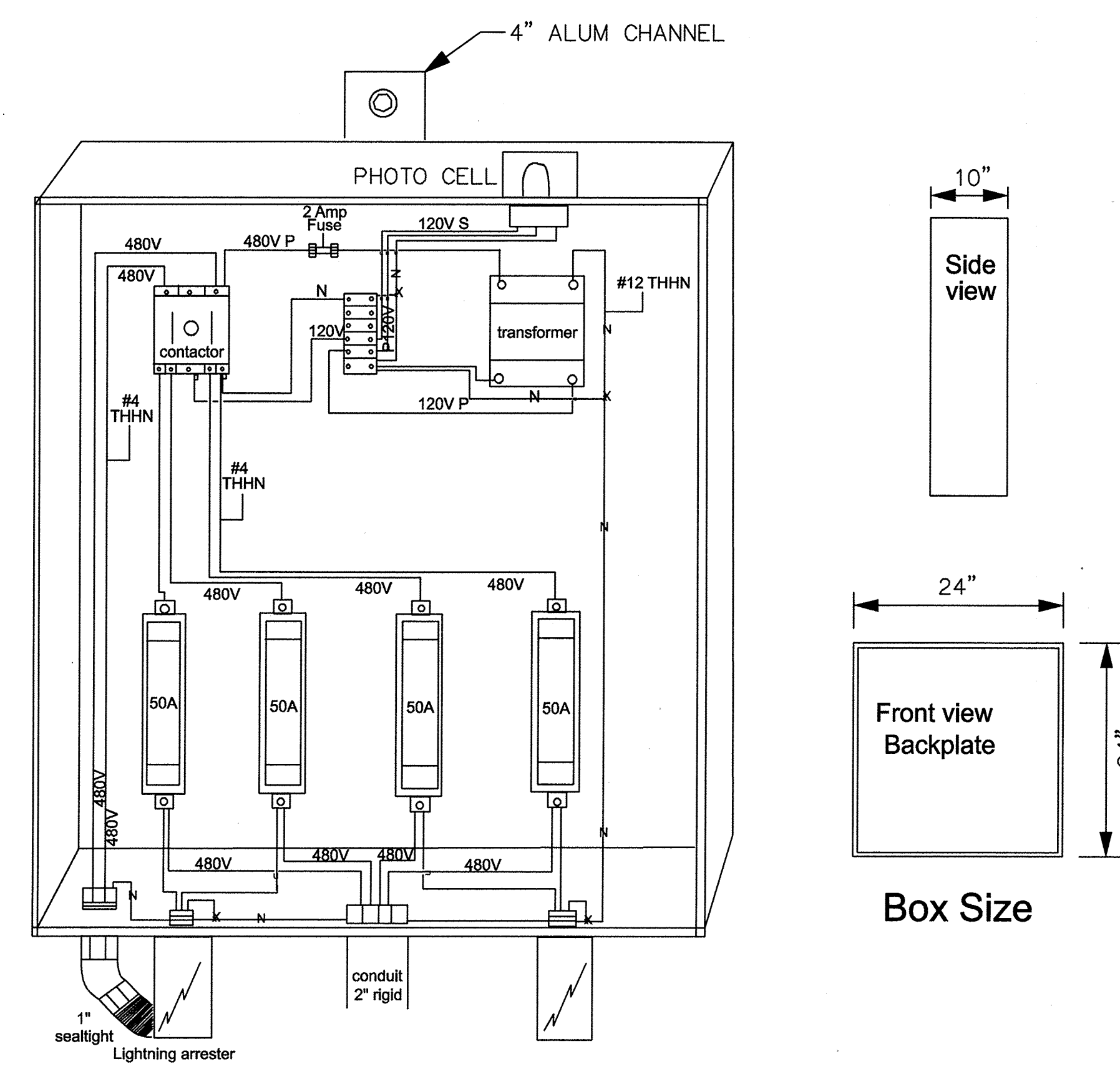
Pole Top



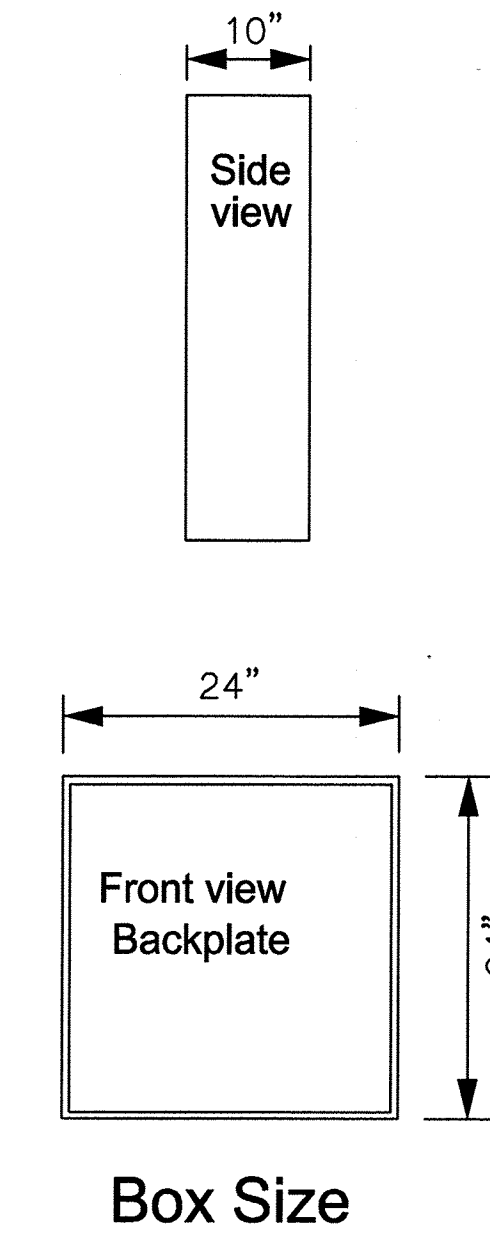
240 VOLT LIGHTING CONTROLLER



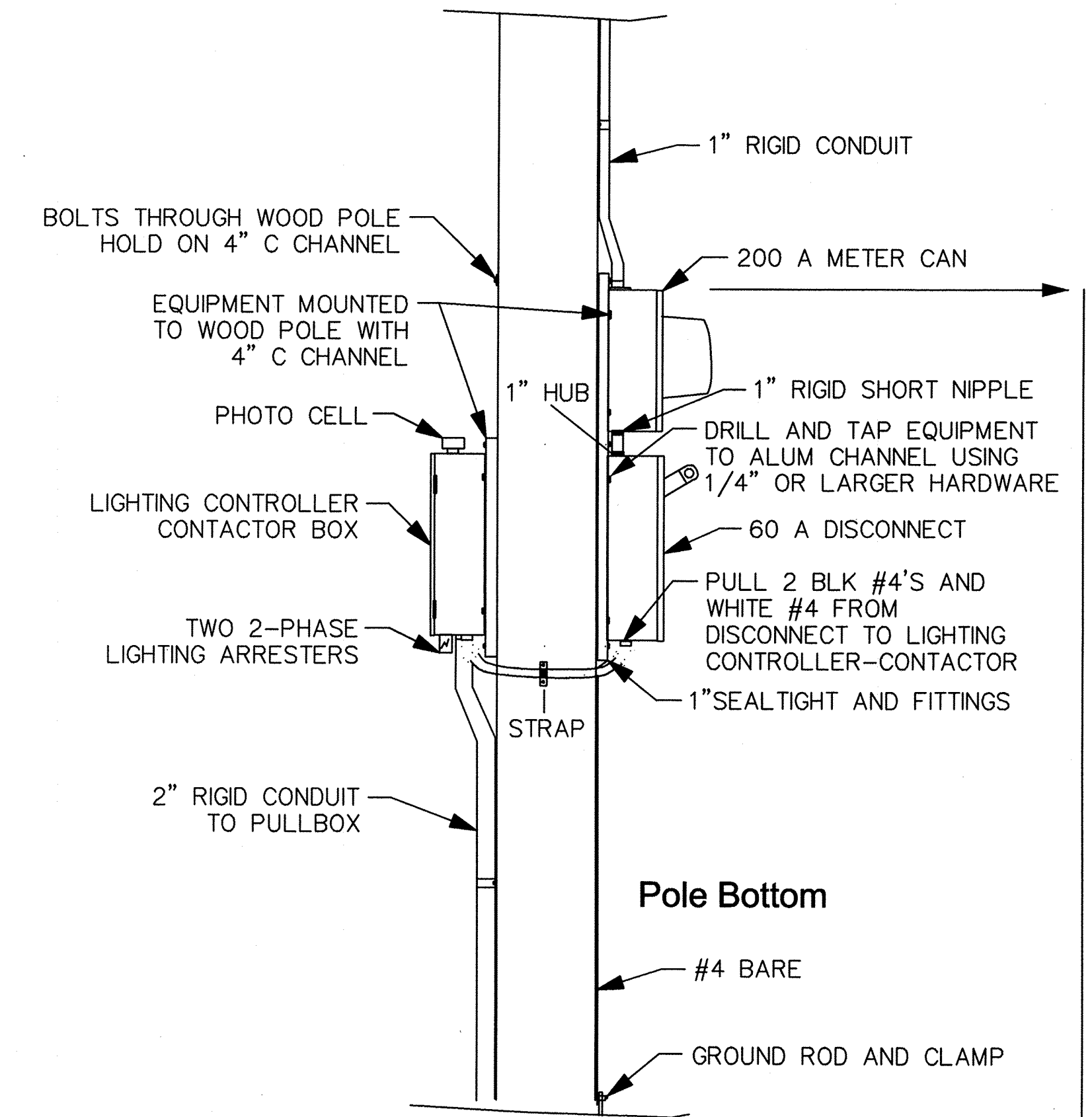
Box Size



480 VOLT LIGHTING CONTROLLER



Box Size



Pole Bottom

REVISION	BY	DATE

Reddy
CITY ENGINEER

CITY OF TULSA, OKLAHOMA
ENGINEERING SERVICES DEPARTMENT

Kevin W. Roth
CITY TRAFFIC ENGINEER

LIGHTING CONTROLLER DETAILS

DATE: OCTOBER 2013

STD. 621A