



BPAG 09/01/2011

City of Tulsa Special Event Permit Application

Summary of Event

Event Title: _____ Date of Event: _____

Event Location: _____ Council District: _____

Event Description: _____ **(Submit Flyer or Brochure in Electronic Format)**

Event Sponsors: _____

Anticipated Attendance (participants, staff, vendors, crowd, etc.): Total: _____ Per Day: _____

Event Organizer Information

Organizing Agency: _____ Web Address: _____

Agency Contact: _____ Email Address: _____

On-Site Contact: _____ On-Site Phone: _____

Billing Contact: _____ Billing Phone: _____

Billing Address: _____

Street

City

State

Zip

Agency Status: Profit ___ Non-Profit ___ Fundraiser? / What cause: _____

Site Plan and Route Map

Event Set-up: Date: _____ Day of Week: _____ Time: _____

Street Closing for Set-up, Stages, Tents, etc.: Date: _____ Time: _____

Street(s) to be Closed: _____

(Submit a Site Map in CAD/Electronic Format)

Event Opens: Date: _____ Day of Week: _____ Time: _____

Street Closing for Race, Parade, Festival, etc.: Date: _____ Time: _____

Street(s) to be Closed: _____

(Submit Route Map in CAD/Electronic Format)

Race, Parade, or Escort Start Times: _____

Daily Festival or Street Party Times: _____

Road Race Service Co. and Phone: _____

Event Closes: Date: _____ Day of Week: _____ Time: _____

Street Opening: Date: _____ Day of Week: _____ Time: _____

Event Dismantle: Date: _____ Day of Week: _____ Time: _____

Street Opening: Date: _____ Day of Week: _____ Time: _____

Secondary Permit Requirements

Yes No Is this an Open Air Event? Public Property Private Property Parking Lot
 Yes No Alcohol or Beer On-Site? Alcohol Sales Beer Sales Free Beverages
 Yes No Concessionaires On-Site? Number of Food Vendors: _____ Number of Item Vendors: _____
 Yes No Food Preparation On-Site? Charcoal Electric Gas
 Yes No Tents or Stages On-Site? If yes, what sizes: _____
 Yes No Other Structures On-Site? If yes, please explain: _____
 Yes No Using a City or River Park? Name and location: _____

Security, Medical, Traffic, and Parking Plans

Yes No Security or Police On-Site? Agency and Phone: _____
 If yes, please describe or provide an attachment of your plan: _____

Yes No Medical First Aid On-Site? Agency and Phone: _____
 If yes, please describe or provide an attachment of your plan: _____

Yes No Using Barricade Company? Agency and Phone: _____
 If yes, the Barricade Co. providing equipment for the street closure must submit the plan in CAD/Electronic Format.
 Equipment Setup: Date: _____ Time: _____ Equipment Pickup: Date: _____ Time: _____

Yes No Is there Parking Available? If yes, please describe or provide an attachment of your plan: _____

Yes No Is there Disabled Parking? If yes, please describe or provide an attachment of your plan: _____

Yes No Using a Shuttle Service? If yes, please describe or provide an attachment of your plan: _____

Other Related Activities and Information

Yes No Entertainment On-Site? Live Music Recorded Music Dancing
 Fireworks Inflatables Animals Other (specify): _____
 Yes No Sound Amplification? Setup Time: _____ Start Time: _____ Finish Time: _____
 Yes No Certificate of Insurance? Agency and Phone: _____
 If yes, submit certificate. If no, please explain: _____
 Yes No Portable Rest Rooms? Agency and Phone: _____
 Number of Portable Rest Rooms: _____ Number of Disability Accessible Portable Rest Rooms: _____
 Equipment Setup: Date: _____ Time: _____ Equipment Pickup: Date: _____ Time: _____

Mitigation of Impact

Please describe your plan for cleanup and removal of waste and garbage during and after your event: _____

Number of Trash Receptacles: _____ Number of Dumpsters: _____ Number of Recycling Containers: _____

Yes No Using a Sanitation Service? Agency and Phone: _____

Equipment Setup: Date: _____ Time: _____ Equipment Pickup: Date: _____ Time: _____

Yes No Have you presented your event concept to the affected residents, businesses, churches, and schools?

If yes, please attach a complete list of these entities. If no, please explain: _____

Yes No Do you have a sample of the notice that you propose to distribute **two weeks prior to your event?**

If yes, please attach in an electronic format. If no, please explain: _____

Yes No Other Information? _____

Affidavit of Applicant

Tulsa Police officers and public safety services, and traffic-control signage and barricades will be required for street closings, traffic/crowd control, and security. The Organizing Agency has the responsibility to be aware of and comply with City Ordinances and Regulations including, but not limited to, Curfew Ordinance, City/County Public Health Regulations, and Police/Park Public Safety Requirements. An application approval does not imply City sponsorship. Review the instructions for further information in reference to Special Events. I certify that the information contained in the foregoing application is true and correct to the best of my knowledge and belief that I have read, understand, and agree to abide by the rules and regulations governing the proposed Special Event. I further certify that I, on the behalf of the Organizing Agency, am also authorized to commit that agency, and therefore agree to be financially responsible for any costs and fees that may be incurred by or on behalf of the Event to the City of Tulsa and Police Department. Any omissions will delay the process.

Print Name: _____ **Signature:** _____ **Date:** _____

Mail to: Special Event Coordinating Committee, 175 East 2nd Street, Suite 590, Tulsa, Oklahoma 74103
Or Email to: sbain@cityoftulsa.org. Your electronic submission will serve as your electronic signature.

For City of Tulsa Special Event Coordinating Committee Use Only

Date received: _____ Date routed: _____ Date for review: _____

If any agency feels there are any problems with this application, contact the event organizer and discuss the problems and solutions before this date: _____. If any problems are resolved or not resolved by that time, a copy of this application and brief memo stating the solution or reason for the objection should be submitted to: Special Event Coordinating Committee, 175 East 2nd Street, Ste 590 OK 74103. For further information or discussion, contact the City of Tulsa Office of Special Events at 918.576.5636. Fax 918.699.3602.

Special Event Coordinating Committee Recommendation: Pending Yes No : _____

Date routed to Mayor: _____ Mayor's Recommendation: Yes No : _____

Date routed to Council: _____ City Council Approval: Yes No : _____

Comments: _____

41ST & PEORIA 5K
Tulsa, Oklahoma

*NOTE*MAP NOT TO SCALE*

"OUT & BACK ON PEORIA"

SPLITS:

- 1-4km: 11 meters north of north edge of cross-walk at 33rd Pl. or 4 meters north of center of door at 3305.
- 2-3km: 31 meters south of south curb of 27 Place.

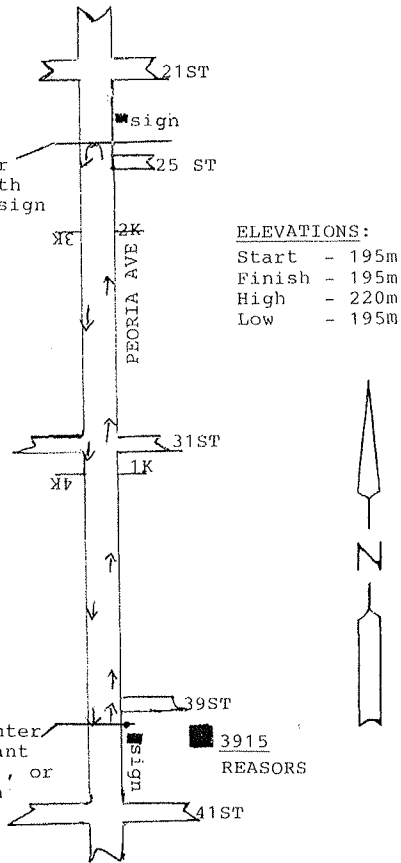
"TURN"
7.65 meters north of north curb of 25th St., or 30.90 meters south of south edge of Tulsa Historical sign at 2445 S. Peoria.

COURSE DESCRIPTION: Start on Peoria and go north to TURN 7.65 meters north of north curb of 25th St. Turn & go south on Peoria to start/finish.
NO RESTRICTIONS!!

USATF Certification
OK13114DG

Effective Dates
12/23/13-12/31/2023

#917 12 13 Coneil & Robert
glensracing@cox.net



STREET CLOSING

FOR SPECIAL EVENT

Date: 03/11/2017
Time: 7:30a.m. to 10:30a.m.

Peoria Avenue between 25th Street and 39th Place will be closed for the St. Patrick's Day Run, which is a fundraiser for Special Olympics. Please avoid this area if Possible. Intermittent cross traffic at 31st and 36th intersections will be allowed as the Tulsa Police Department deems appropriate. Thank you for your cooperation.

If you have questions or concerns, please contact Derek Cain at Special Olympics Oklahoma.
6835 S Canton Ave • Tulsa, Oklahoma 74136 • 918-481-1234 • derek@sook.org