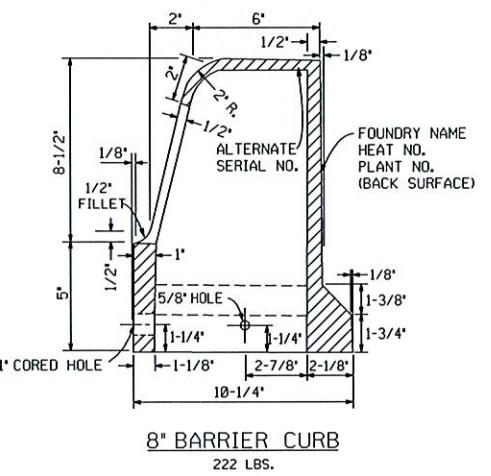
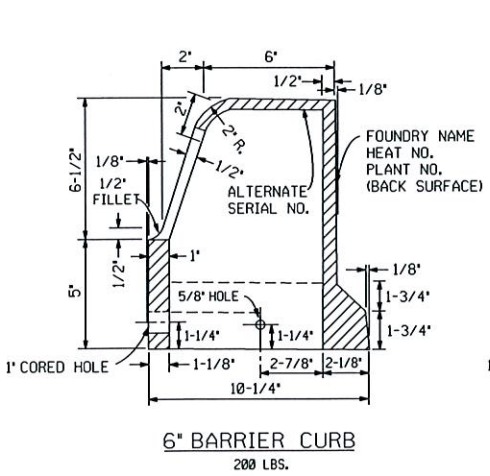
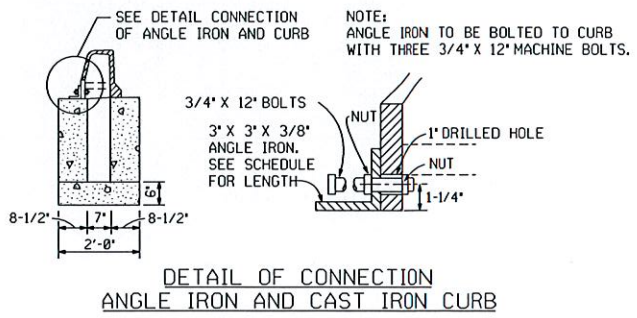
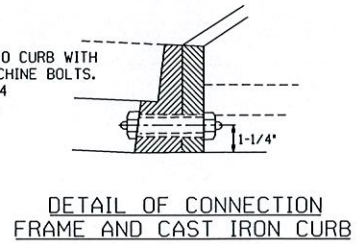


DUMP NO WASTE □ DRAINS TO RIVER
FOR 6" MOUNTABLE CURB

DUMP NO WASTE
DRAINS TO RIVER
FOR 6" AND 8" BARRIER CURB

LAYOUT FOR CURB NOTE

NOTE:
FRAME TO BE BOLTED TO CURB WITH
THREE 3/4" X 4-1/2" MACHINE BOLTS.
SEE CURRENT STD. SGF-4
FOR FRAME AND GRATE.



- GENERAL NOTES
- GRATING AND FRAMES TO BE USED IN THIS INLET ARE SHOWN ON THE STANDARD DRAWINGS DESIGNATED AS "STANDARD STORMWATER GRATES" AND "STANDARD STORMWATER FRAMES."
 - GRAY IRON CASTINGS SHALL CONFORM TO AND BE TESTED IN ACCORDANCE WITH THE STANDARD SPECIFICATION FOR GRAY IRON CASTINGS, ASTM A48, AND SHALL BE CLASS 30B OR BETTER.
 - NO WORDING OR MARKING OF ANY KIND OTHER THAN THOSE SHOWN ON THE PLANS WILL BE PERMITTED ON THESE CASTINGS.
 - ALL NUTS AND BOLTS REQUIRED FOR THESE STRUCTURES SHALL BE CADMIUM PLATED AND GALVANIZED.
 - "DUMP NO WASTE - DRAINS TO RIVER" LETTERING CAN BE PLACED ON THE TOP OF THE BARRIER CURB OR THE INLET GRATE.
 - DESIGN 5 IS THE MAXIMUM PRE-APPROVED SIZE.

| TOLERANCES | INCHES | |
|---|--------|-------|
| | PLUS | MINUS |
| DIAMETER OF ROUND LIDS AND FRAME RECESS FOR ROUND LIDS | 1/16 | 1/16 |
| LENGTH AND WIDTH OF SQUARE OR RECTANGULAR LIDS | 1/16 | 1/8 |
| LENGTH AND WIDTH OF FRAME RECESS FOR SQUARE OR RECTANGULAR LIDS | 1/8 | 1/16 |
| METAL THICKNESS | 1/16 | 1/16 |
| ALL OTHER DIMENSIONS | 1/8 | 1/8 |

| INLET DESIGN | CURB OPENING DESIGNATION | INLET FRAME AND GRATE EACH | CAST IRON CURB INLET EACH | ANGLE IRON | | |
|--------------|--------------------------|----------------------------|---------------------------|------------|------------|------------|
| | | | | NO. | LENGTH | |
| 1 | A | 1 | 2 | 1 | 2' 5-3/8" | |
| | B | 1 | 3 | 1 | 5' 1-5/8" | |
| | C | 1 | 4 | 1 | 7' 9-7/8" | |
| | 2A | 1 | 3 | 2 | 2' 5-3/8" | 2' 5-3/8" |
| | A-B | 1 | 4 | 2 | 2' 5-3/8" | 5' 1-5/8" |
| | A-C | 1 | 5 | 2 | 2' 5-3/8" | 7' 9-7/8" |
| | 2B | 1 | 5 | 2 | 5' 1-5/8" | 5' 1-5/8" |
| | B-C | 1 | 6 | 2 | 5' 1-5/8" | 7' 9-7/8" |
| 2 | 2-C | 1 | 2 | 2 | 7' 9-7/8" | 7' 9-7/8" |
| | B | 2 | 4 | 1 | 5' 1-5/8" | |
| | D | 2 | 6 | 1 | 10' 6-1/8" | |
| | 2B | 2 | 6 | 2 | 5' 1-5/8" | 5' 1-5/8" |
| | B-D | 2 | 8 | 2 | 5' 1-5/8" | 10' 6-1/8" |
| | 2D | 2 | 10 | 2 | 10' 6-1/8" | 10' 6-1/8" |
| 3 | B | 3 | 5 | 1 | 5' 1-5/8" | |
| | D | 3 | 7 | 1 | 10' 6-1/8" | |
| | 2B | 3 | 7 | 2 | 5' 1-5/8" | 5' 1-5/8" |
| | B-D | 3 | 9 | 2 | 5' 1-5/8" | 10' 6-1/8" |
| | 2D | 3 | 11 | 2 | 10' 6-1/8" | 10' 6-1/8" |

NOTE: CONFIGURATIONS ARE NOT LIMITED TO THOSE SHOWN ABOVE.

CITY OF TULSA, OKLAHOMA
ENGINEERING SERVICES DEPARTMENT

STANDARD CAST IRON CURB

DATE: SEPT 2018

STD. 767

| REVISION | BY | DATE |
|----------|----|------|
| | | |
| | | |
| | | |

PATH NAME: /E1/PARTS/STD/DGN/STD/767-STD-CAST-IRON-CURB.DGN RMO 08/31/2018